

PATLITE

New Frontiers in Safety, Security and Comfort

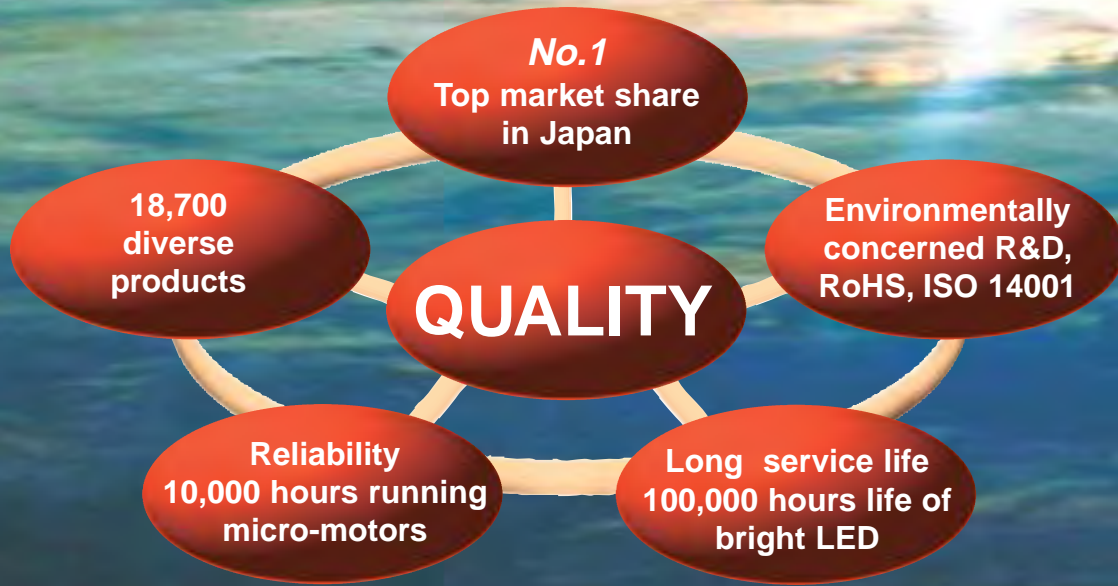
CATALOG



PATLITE

The Industry Leader

Dedicated to the design and development of visual and audible signaling technology, PATLITE offers the industry's most comprehensive selection of world-class quality rotating warning lights, audible alarms, cube towers, voice synthesizers and signal towers.



Quality Assurance

Not only are the products tested for durability, but PATLITE has been certified as complying with the requirements of ISO 9001.

Audible Alarm Systems

You can select a variety of sound combinations including melody, chime, and alarm, or custom program with voice messages to fit your specific need.

Visual Lighting Systems

PATLITE offers the most extensive product line ranging from large to ultra mini-size, super bright LED or incandescent, pole mount or wall mount.

Hybrid light and audible systems

PATLITE offers a complete line of audible alarms integrated with visual LED or incandescent indicators to increase plant or machine status awareness.

Total Information Technology

For over half a century PATLITE has produced revolving warning lights and a variety of other dependable signal tower lights designed to enhance safety. Throughout our history we have contributed to people's security. Society is now faced with an ever growing volume of increasingly complex data whose management will require more advanced information systems.

We are moving from simple signals to comprehensive systems, from safety and security to information and communication. PATLITE is contributing to a safer, more affluent society through the application of comprehensive and reliable information technology.

Worldwide Sales, Marketing and After Sales Support Network

PATLITE Corp. / Europe



PATLITE Corporation Headquarters, Japan

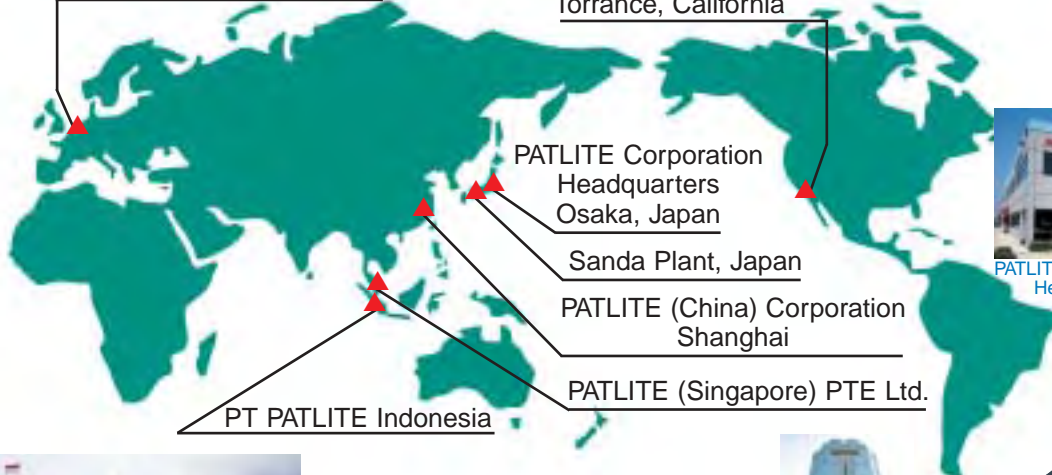


Sanda Plant



PATLITE Corp./ European office
Rotterdam, the Netherlands

PATLITE (U.S.A.) Corporation
Headquarters
Torrance, California



PATLITE Corporation
Headquarters
Osaka, Japan

Sanda Plant, Japan

PATLITE (China) Corporation
Shanghai

PATLITE (Singapore) PTE Ltd.

PT PATLITE Indonesia



PATLITE (U.S.A.) Corp.
Headquarters



PT PATLITE Indonesia



PATLITE (Singapore) PTE Ltd.



PATLITE (China) Corp.

Vertically Integrated Production for Quality Assurance

We design and manufacture the metallic molds in-house. Using injection machinery attached to these molds, we manufacture plastic materials which enables us to reduce delivery time.






Metal Molding Parts		Machine Processing		
				
Design with 3-D CAD	Manufacture of metal molding parts	Electrical discharge machine	Machining Center	Injection molding machines

Table of Contents

Rotating Beacons										
	RU RS ø82	RH-A/RHB-A RK-A/RKB-A ø100	WH-A/WHB-A WK-A/WKB-A ø100	SKH-EA ø100	SKH-A SKHB-A ø118	SKP-A ø138	SKL-SA ø162	SKLB ø162	KP-A ø162	
	Page: 6-7	Page: 8-9	Page: 10	Page: 11	Page: 12	Page: 13	Page: 14	Page: 15	Page: 16	
	Strobe Beacons				LED Beacons LED Vision Light				Tower Lights	
		KX-T ø100	XP ø162	XM ø187		PEW/PES ø82	SB-06 ø162	CLE ø71		LU5 ø50
		Page: 20	Page: 21	Page: 22		Page: 23	Page: 24	Page: 25		Page: 26-27
		Audible Hybrids								
	WME-A LED 80 Profile		WM-T  80 Profile	KJS KJSB ø82	KJ KJB ø116	LGEH LED Page: 40-41	LGH  Page: 42-43	WG Page: 44-45	RT Page: 46-47	
	Page: 32-33		Page: 34-35	Page: 36-37	Page: 38-39					
Audible Alarms										
	PVB	EVB	PVW	EVW	EW	EWS	BT	EB-K, EB-L, EMB, ESB, ETB		
	Page: 48	Page: 49	Page: 50	Page: 51	Page: 52	Page: 53	Page: 54	Page: 55		

PATLITE



SKR
ø173

Page: 17



KG
ø186

Page: 18



SKC-A
ø187

Page: 19



LU7

ø70

Page:
28-29



WEP
WE
37.5
Profile

Page:
30-31

Dedicated to the design and development of visual and audible signaling technology, PATLITE offers the industry's most comprehensive selection of signal towers, cube towers, rotating warning lights, voice synthesizers and audible alarms used to indicate machine status!

See PATLITE's
Latest Products at

www.patlite.com

**Audibles:
Sound
List
Selection
Charts**

Page: 56

**Towers:
Wiring
Diagrams
(WE, WEP,
WME, WM)**

Page: 57

**Optional
Parts**

Page: 58-59

Rotating Beacons

ø82mm (3.23 in) Round	DC 12V	DC 24V	AC 120V	AC 220V	IP-55* IP-23*	Pre-Assembled Pre-Wired
-----------------------------	-----------	-----------	------------	------------	------------------	----------------------------

RU RS

RU and RS Series Mini-Size

A bright idea for control signals and productivity.



ø82mm (3.23 in)

- Colors available: red, yellow, green and blue.
- *IP Rating: IP-23. RU and RS meet IP-55 with rubber gasket SZ-210.
- Uses incandescent automobile bulb for longer life.
- Lenses: Made of shock and heat resistant polycarbonate resin.
- Integral rotating parabolic reflector makes light visible from a distance.
- RUP includes 300mm steel pole and bracket (SZ-013), nuts & washers.
- Rotates 120 times a minute.
- DC12V and AC220V versions available by special order.

Mini-Size

RU	Rotating Beacon
RS	Rotating Beacon
RUP	with Pole and Bracket



RU



With Optional
Rubber Gasket
SZ-210

RUP



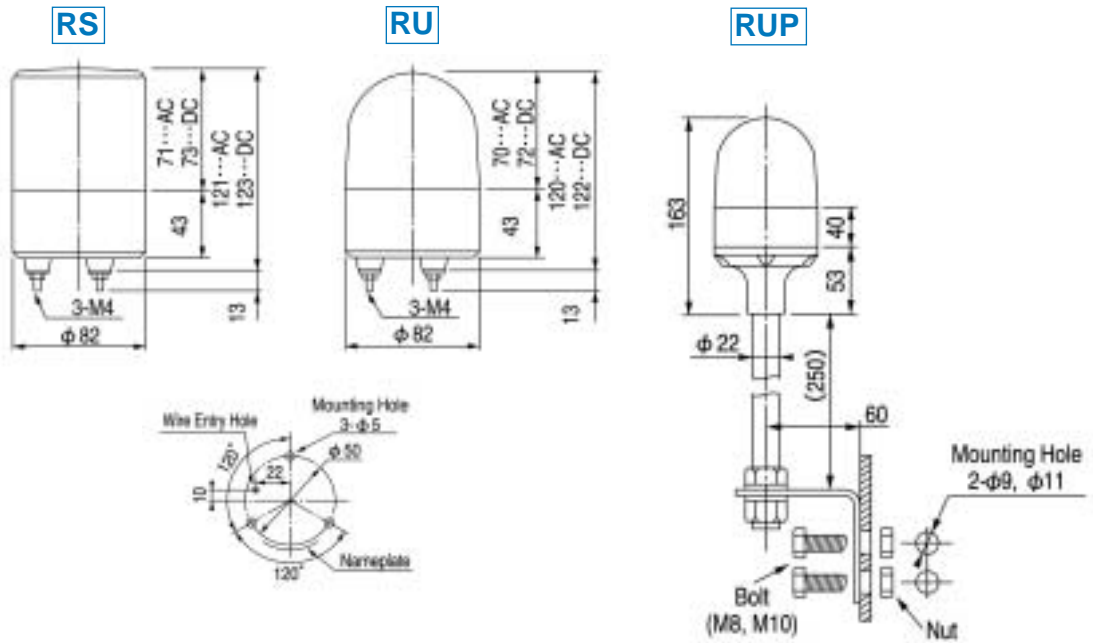
RS



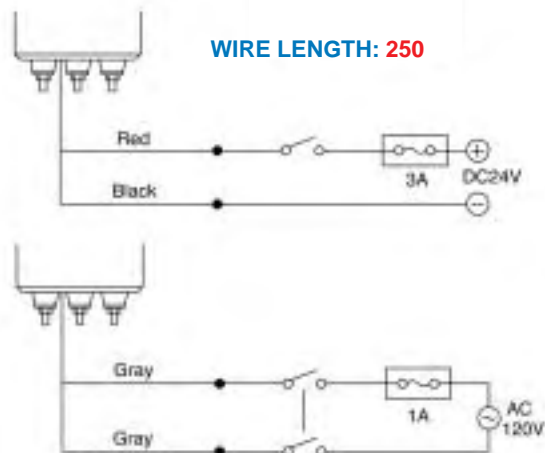
With Optional
Rubber Gasket
SZ-210

MODEL	RATED VOLTAGE	CURRENT DRAW	BULB	No.	ROTATION PER MINUTE	WEIGHT	
						RU/RS	RUP
RU-12	DC12V	0.5A	12V6W	20	120	0.4Kg	0.8Kg
RUP-12	DC12V	0.5A	12V6W	20			
RS-12	DC12V	0.5A	12V6W	20			
RU-24	DC24V	0.3A	24V6W	21			
RUP-24	DC24V	0.3A	24V6W	21		0.6Kg	1.0Kg
RS-24	DC24V	0.3A	24V6W	21			
RU-120	AC120V	0.1A	12V6W	20			
RUP-120	AC120V	0.1A	12V6W	20			
RS-120	AC120V	0.1A	12V6W	20			

Dimensions (mm)



Wiring Diagrams



RH-A RK-A

Mini-Size Beacons

The RH-A and RK-A series are versatile, durable & compact revolving warning lights. Terminal block allows easy wiring.



Mini-Size

RH-AUL	Rotating Beacon
RK-AUL	Rotating Beacon
RHB-AUL	with Audible Alarm
RKB-AUL	with Audible Alarm

ø100mm (3.94 in)

- Colors available: red, yellow, green and blue.
- IP-55 rated, and comes with rubber gasket SZ-200A.
- RHB-A and RKB-A have an integral alarm (hi-pitch tone 90dB at 1m) that sounds with light operation.
- Integral rotating parabolic reflector makes the light visible from long distances.
- Rotates 170 times per minute.
- Optional mounting brackets available (SZ-30L, SZ-30T).
- AC240V version available by special order.

RH



Rubber Gasket
SZ-200A



RK

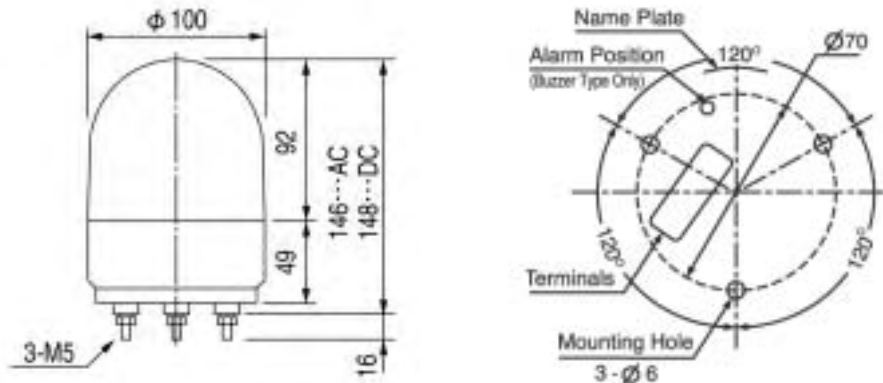


Rubber Gasket
SZ-200A



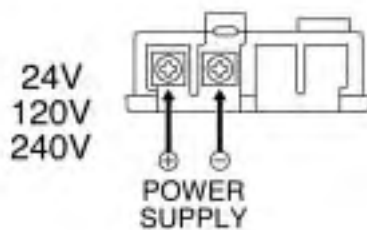
MODEL	RATED VOLTAGE	CURRENT DRAW	BULB	ROTATION		WEIGHT
				No.	PER MINUTE	
RH-24AUL	DC24V	0.5A	24V10W	10	170	0.4Kg
RHB-24AUL	DC24V	0.5A	24V10W	10	170	0.4Kg
RK-24AUL	DC24V	0.5A	24V10W	10	170	0.4Kg
RKB-24AUL	DC24V	0.5A	24V10W	10	170	0.4Kg
RH-120AUL	AC120V	0.1A	12V5W	11	170	0.6Kg
RHB-120AUL	AC120V	0.1A	12V5W	11	170	0.6Kg
RK-120AUL	AC120V	0.1A	12V5W	11	170	0.6Kg
RKB-120AUL	AC120V	0.1A	12V5W	11	170	0.6Kg

Dimensions (mm)

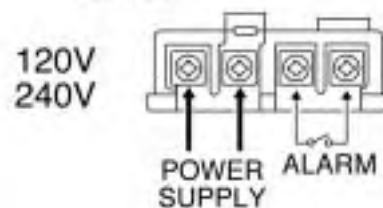
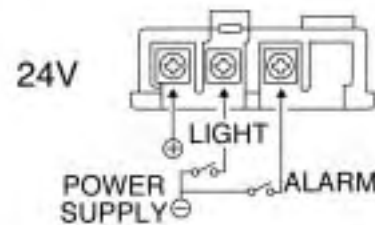


Wiring Diagrams

For Non-Buzzer type



For Buzzer type



Rotating Beacons

ø100mm (3.94 in) Round	DC 12V	DC 24V	AC 120V	AC 240V	IP-54* IP-23*	Electronic Alarm: 1	90 dB/m	Pre- Assembled
------------------------------	-----------	-----------	------------	------------	------------------	------------------------	------------	-------------------

WH-A WK-A

Wall Mount Beacons

Colorful wall-mounted rotating beacons in 2 dome styles.



Wall Mount Beacons

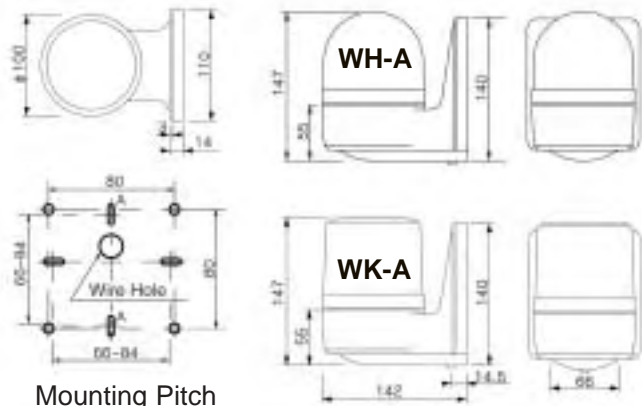
WH-A	Rotating Beacon
WK-A	Rotating Beacon
WHB-A	with Audible Alarm
WKB-A	with Audible Alarm

MODEL	RATED VOLTAGE	BULB	No.	ROTATION PER MINUTE	WEIGHT
WH-12A	DC12V	12V10W	9	170	0.5Kg
WK-12A	DC12V	12V10W	9	170	0.5Kg
WH-24A	DC24V	24V10W	10	170	0.5Kg
WK-24A	DC24V	24V10W	10	170	0.5Kg
WH-120A	AC120V	12V5W	11	170	0.7Kg
WK-120A	AC120V	12V5W	11	170	0.7Kg
WHB-12A	DC12V	12V10W	9	170	0.5Kg
WKB-12A	DC12V	12V10W	9	170	0.5Kg
WHB-24A	DC24V	24V10W	10	170	0.5Kg
WKB-24A	DC24V	24V10W	10	170	0.5Kg
WHB-120A	AC120V	12V5W	11	170	0.7Kg
WKB-120A	AC120V	12V5W	11	170	0.7Kg

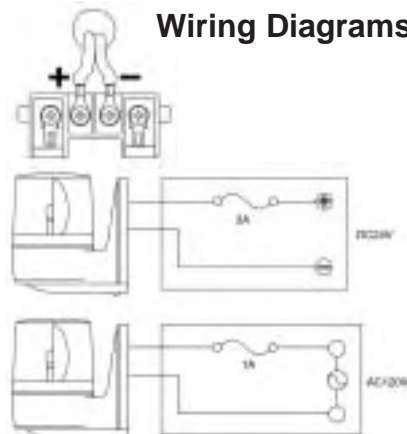
ø100mm (3.94 in)

- Colors available: red, yellow, green, and blue.
- *WHB-A & WKB-A (upright) meet IP-23, WH-A & WK-A meet IP-54.
- Unique beacon with side mount bracket is perfect for vertical, horizontal or inverted mounting positions.
- Electronic buzzer emits sounds intermittently as the light rotates.
- Main body is made of ABS resin and dome is made of shock and heat resistant polycarbonate resin.
- DC12V and AC240V versions available by special order.

Dimensions (mm)



Wiring Diagrams



Rotating Beacons

ø100mm (3.94 in) Round	DC 12V	DC 24V	AC 120V	AC 240V	IP-23	Pre-Assembled Pre-Wired
------------------------------	-----------	-----------	------------	------------	-------	----------------------------

SKH-EA

SKH-EA Series Mini-Size

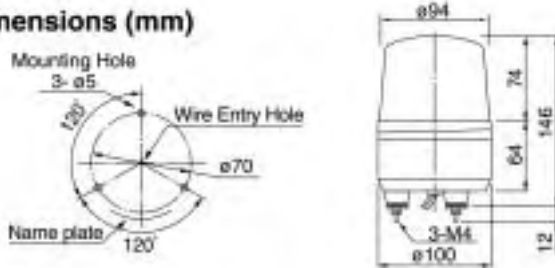
Mini-size, low cost, rotating warning lights used for a variety of applications.

Mini-Size

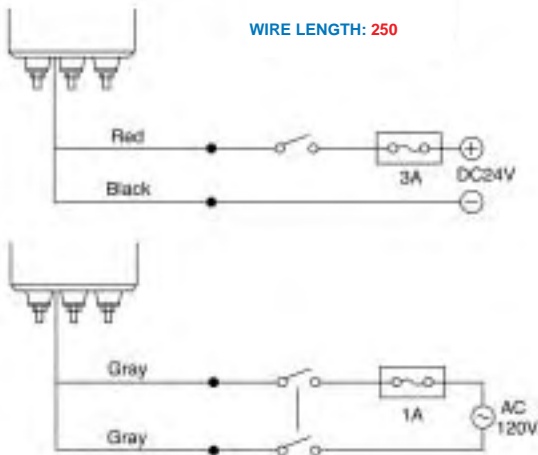
SKH-EA Rotating Beacon

MODEL	RATED VOLTAGE	BULB	No.	ROTATION PER MINUTE	WEIGHT
SKH-12EA	DC12V	12V10W	9	170	0.4Kg
SKH-24EA	DC24V	24V10W	10		0.4Kg
SKH-120EA	AC120V	12V5W	11		0.6Kg

Dimensions (mm)



Wiring Diagrams



ø100mm (3.94 in)

- Colored acrylic lenses available in red, yellow, green and blue.
- Integral rotating parabolic reflector makes the light visible from long distances.
- Uses automobile bulb for longer life.
- Contains a spare bulb inside the housing.
- DC12V and AC240V versions available by special order.
- Optional mounting brackets available (SZ-30L, SZ-30T).



SKH-A

SKH-A Series Standard Size

Economic rotating lights, come with one-piece lens and base.

Standard Size

SKH-A Rotating Beacon

SKHB-A with Audible Alarm

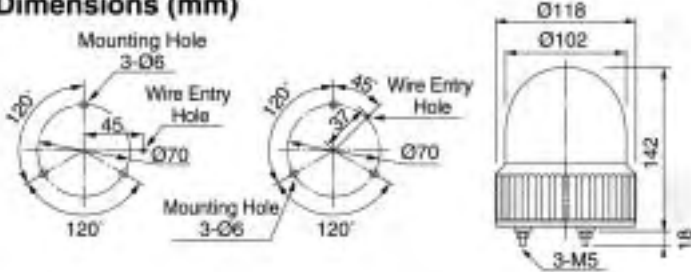


ø118mm (4.65 in)

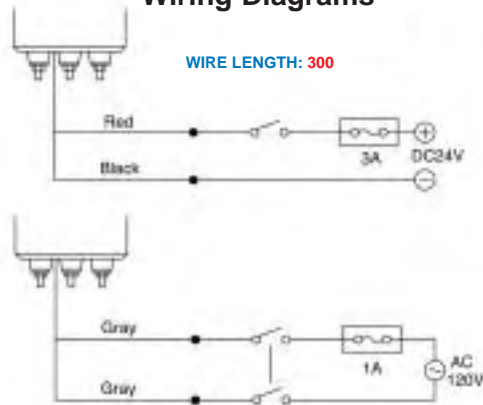
MODEL	RATED VOLTAGE	BULB	ROTATION PER MINUTE		WEIGHT	
			No.	170		
SKH-101A	DC12V	12V10W	9	170	0.4Kg	
SKHB-12A	DC12V	12V10W	9			
SKH-102A	DC24V	24V10W	10			
SKHB-24A	DC24V	24V10W	10			
SKH-110A	AC100V	12V5W	11		0.6Kg	
SKHB-100A	AC100V	12V5W	11			
SKH-112A	AC120V	12V5W	11			
SKHB-120A	AC120V	12V5W	11			
SKH-124A	AC240V	12V5W	11			
SKHB-240A	AC240V	12V5W	11			

- Colored acrylic lenses available in red, yellow, green and blue.
- Integral rotating parabolic reflector makes the light visible from long distances.
- Uses automobile bulb for longer life.
- SKHB-A has an integral alarm (Hi-pitch tone 90dB/m) that sounds with light operation.
- 12V, 100V and 240V versions are only available by special order.
- Optional mounting brackets available (SZ-30L, SZ-30T).

Dimensions (mm)



Wiring Diagrams





ø138mm (5.43 in) Round	DC 12V	DC 24V	AC 120V	AC 220V	IP-23	Pre-Assembled Pre-Wired
------------------------------	-----------	-----------	------------	------------	-------	----------------------------

SKP-A

Heavy Duty Polycarbonate, medium size with stainless steel clamp

ø138mm (5.43 in)

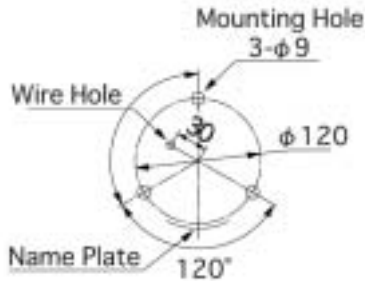


Dimensions (mm)



- Colors available: red, yellow, green and blue.
- Dome is made of heat and shock resistant polycarbonate resin.
- Corrosion-free stainless steel (SUS 304) is used as the dome mounting fixture.
- DC rotary gear driving system ends uneven rotation due to vibration and assures reliable operation even at low temperature (-30°C).
- Longer life, higher durability, and energy-saving due to compact motor.
- DC12V and AC220V versions available by special order.

MODEL	RATED VOLTAGE	CURRENT DRAW	BULB	ROTATION		WEIGHT
				No.	PER MINUTE	
SKP-101A	DC12V	2.6A	12V 35W	56	140	0.8Kg
SKP-102A	DC24V	1.2A	24V 35W	57		
SKP-112A	AC120V	0.3A	120V 40W	60	120	1.0Kg
SKP-120A	AC220V	0.13A	220V 30W	63		



Wire bundle size & length

SKP-101A, 102A	: AWG16, 270mm
SKP-112A	: AWG18, 330mm
SKP-120A	: AWG18, 330mm





ø162mm
(6.38 in)
Round

DC
12V

DC
24V

AC
120V

AC
220V

IP-23

Pre-Assembled
Pre-Wired

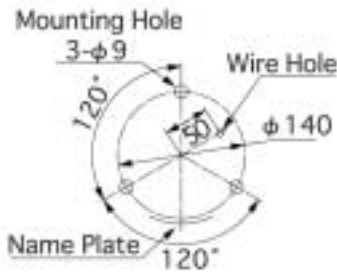
SKL-SA

Stainless Steel Body

ø162mm (6.38 in)



Dimensions (mm)



Wire bundle size & length

SKL-101SA, SKL-102SA : AWG16, 230mm
 SKL-112SA : AWG18, 260mm
 SKL-120SA : AWG18, 260mm

- Colors available: red, yellow, green and blue.
- Lenses are made of heat and shock resistant polycarbonate resin.
- Body is made of perfect corrosion-proof stainless steel (SUS 304).
- Solid body with superior durability.
- DC12V and AC220V versions available by special order.

MODEL	RATED VOLTAGE	CURRENT DRAW	BULB	ROTATION		WEIGHT
				No.	PER MINUTE	
SKL-101SA	DC12V	3.0A	12V 35W	56	160	1.4Kg
SKL-102SA	DC24V	1.5A	24V 35W	57		
SKL-112SA	AC120V	0.4A	120V 40W	60	140	1.5Kg
SKL-120SA	AC220V	0.2A	220V 30W	63		



Rotating Beacons

∅162mm (6.38 in) Round	AC 120V	AC 220V	IP-20	Pre-Assembled Pre-Wired
------------------------------	------------	------------	-------	----------------------------



SKLB

Has Alarm Adjustment Switch (externally adjustable)

∅162mm (6.38 in)

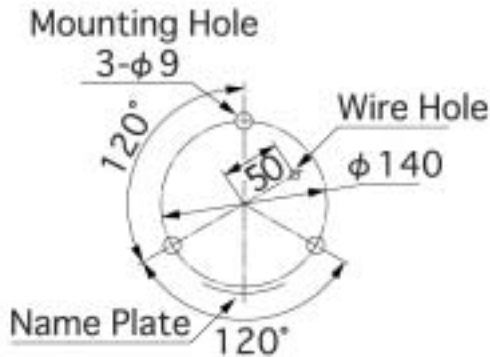


Dimensions (mm)



- Colors available: red and yellow.
- Lenses are made of heat and shock resistant polycarbonate resin.
- Intermittent buzzer can be turned on and off, and volume can be set to low: 65dB (at 1m), medium: 70dB (at 1m) or high: 80dB (at 1m), with the external switch.
- Buzzer sound: Intermittent “boo-boo” sound.
- AC220V version available by special order.

MODEL	RATED VOLTAGE	CURRENT DRAW	BULB	No.	ROTATION PER MINUTE	WEIGHT
SKLB-112	AC120V	0.4A	120V 40W	60	140	1.8Kg
SKLB-120	AC220V	0.2A	220V 30W	63		



Wire bundle size & length

SKLB-112 : AWG18, 300mm
SKLB-120 : AWG18, 230mm



KP-A

Large Size Warning Light

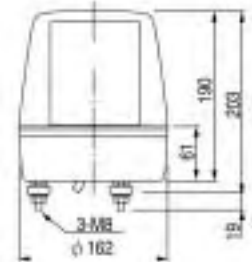
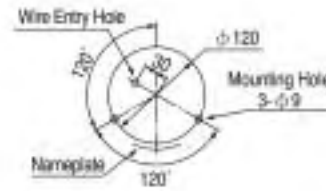
Is ideal for extreme temperatures or chemically exposed areas. All plastic and rust free.

ø162mm (6.38 in)



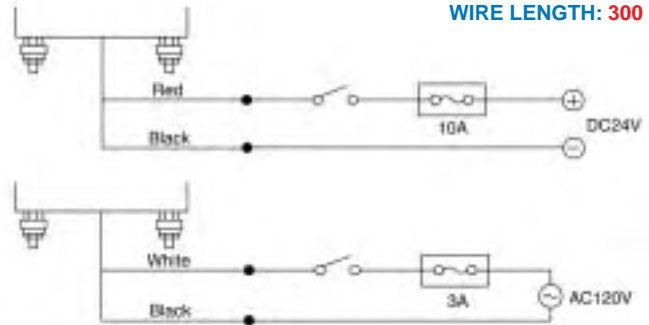
- Colors available: red, yellow, green and blue.
- Anti-UV coated body protects from fading, for long term use.
- Stainless steel bolts and nuts protect from rusting.
- Motor operates at extreme low temperatures of -22° F (-30° C).
- Suitable for chemically exposed areas.
- Optional mounting bracket SZ-008 available.
- AC240V version available by special order.

Dimensions (mm)



Wiring Diagrams

WIRE LENGTH: 300



MODEL	RATED VOLTAGE	CURRENT DRAW	BULB	ROTATION PER MINUTE		WEIGHT
				No.		
KP-24A	DC 24V	1.5A	24V35W	57	160	1.1Kg
KP-120A	AC120V	0.4A	120V40W	60	140	1.2Kg





ø173mm (6.81 in) Round	AC 120V	AC 220V	IP-23	Pre- Assembled Pre-Wired
------------------------------	------------	------------	-------	--------------------------------

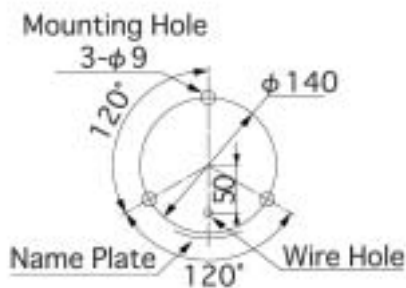
SKR

Dual Reflector in Acrylic Dome

ø173mm (6.81 in)



Dimensions (mm)



Wire bundle size & length

SKR-212 : AWG18, 250mm
SKR-220 : AWG18, 250mm

- Colors available: red and yellow.
- Dome is made of Acrylic resin with superior weather resistance and light translucence.
- Large, dual-surface reflector emits powerful light.
- Longer life, higher durability, and energy-saving due to compact motor.
- Corrosion-free stainless steel (SUS 304) used for dome mounting fixture.
- AC220V version available by special order.

MODEL	RATED VOLTAGE	CURRENT DRAW	BULB	ROTATION		WEIGHT
				No.	PER MINUTE	
SKR-212	AC120V	0.4A	120V 40W	60	180	1.4Kg
SKR-220	AC220V	0.2A	220V 30W	63		



Rotating Beacons



ø186mm (7.32 in) Round	DC 12V	DC 24V	AC 120V	AC200 ~240V	IP-23	Pre- Assembled Pre-Wired
------------------------------	-----------	-----------	------------	----------------	-------	--------------------------------

KG

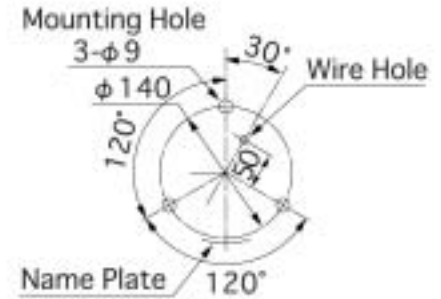
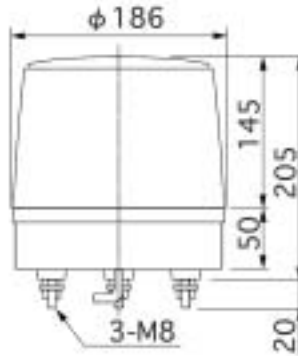
**Large & economical
with dual reflector**

ø186mm (7.32 in)



12V and
24V only

Dimensions (mm)



Wire bundle size & length

- KG-12/24 : AWG14, 230mm
- KG-120 : AWG18, 260mm
- KG-200 : AWG18, 260mm

- Colors available: red and yellow.
- Lenses made of Polystyrene resin with superior weather resistance and light translucence.
- Black body and design giving resistance to harsh weather conditions and ultraviolet rays.
- High durability, robust design and silent operation thanks to unique silicon belt drive system.
- Longer life and efficient operation with high quality compact motor.
- Large, dual-surface reflector emits powerful light.

MODEL	RATED VOLTAGE	CURRENT DRAW	BULB	ROTATION PER MINUTE		WEIGHT
				No.		
KG-12	DC12V	2.7A	12V 35W	56	180	0.7Kg
KG-24	DC24V	1.2A	24V 35W	57		
KG-120	AC120V	0.32A	120V 40W	60		0.9Kg
KG-200	AC200~240V	0.13A	240V 30W	61		

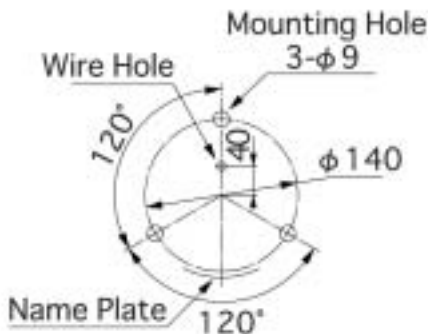




SKC-A

Large size beacon with dual reflector

Dimensions (mm)



Wire bundle size & length

SKC-201A, 202A : AWG16, 250mm
 SKC-212A : AWG18, 270mm
 SKC-220A : AWG18, 270mm



ø187mm (7.36 in)

- Colors available: red, yellow, green and blue.
- Lenses are made of Acrylic resin with superior weather resistance and light translucence.
- Large, dual-face reflector emits powerful light.
- Longer life, higher durability, and energy-saving due to unique compact motor.
- Corrosion-free stainless steel (SUS 304) is used as dome mounting fixture.
- Belt-drive rotary mechanism provides extremely quiet and stable rotation.
- AC220V version available by special order.

MODEL	RATED VOLTAGE	CURRENT DRAW	BULB	ROTATION		WEIGHT
				No.	PER MINUTE	
SKC-201A	DC12V	2.6A	12V 35W	56	200	1.7Kg
SKC-202A	DC24V	1.2A	24V 35W	57		
SKC-212A	AC120V	0.3A	120V 40W	60	160	1.8Kg
SKC-220A	AC220V	0.13A	220V 30W	63		



Strobe Beacons

ø100mm
(3.94 in)
Round

DC
12V

DC
24V

AC
120V

AC
230V

IP-55*
IP-23*

Xenon

Pre-Assembled
Pre-Wired



Mini-size flashing

With Xenon discharge tube, lamp life is not affected by vibration. Superior visibility.

ø100mm (3.94 in)

Xenon Type Light

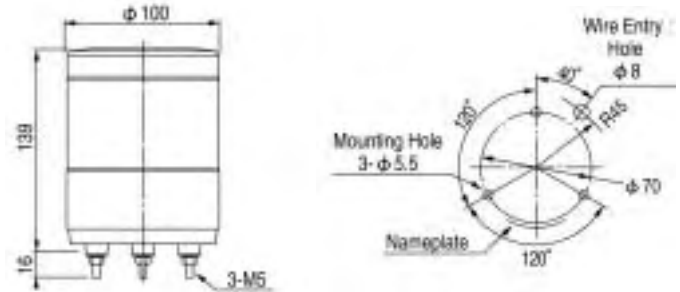
- Colors: red, yellow, green, blue and clear.
- Xenon lamp provides intense flash (night-time visibility 1000m or more).
- *Meets IP-23 (IP-55 with optional rubber gasket SZ-200A).
- Adjustable flash rate: 30~90 flashes per minute.
- 12V and 230V versions available by special order.



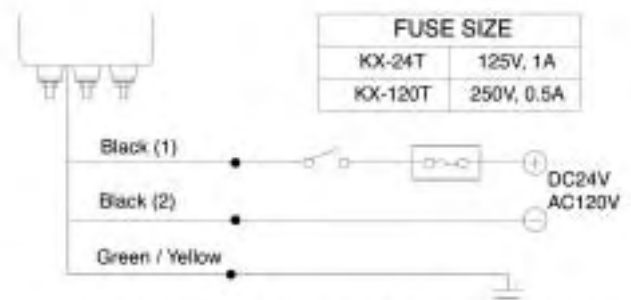
MODEL	RATED VOLTAGE	POWER CONSUMPTION	RECOMMENDED FUSE	FLASHES PER MINUTE	WEIGHT
KX-12T	DC12V	8W	125V, 3A	30~90	0.42Kg
KX-24T	DC24V		125V, 1A		
KX-120T	AC120V	4W	250V, 0.5A		0.40Kg

Note: Average power consumption shown. Fuse rating reflects momentary peak current drawn by Xenon lamp.

Dimensions (mm)



Wiring Diagram



Connect Green/Yellow wire to ground when using AC120V unit.

WIRE LENGTH: 250



Strobe Beacons

ø162mm
(6.38 in)
Round

DC
12V

DC
24V

AC
120V

AC
220V

Xenon

Pre-Assembled
Pre-Wired

XP

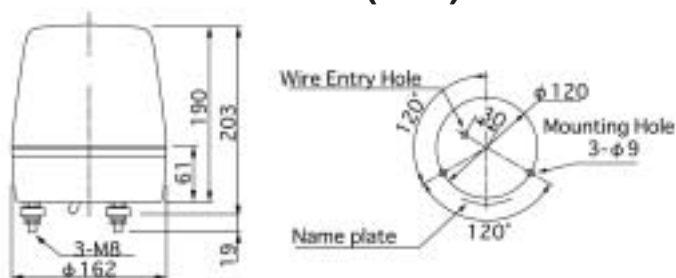
Large Strobe with ABS body

Good for Marine environments

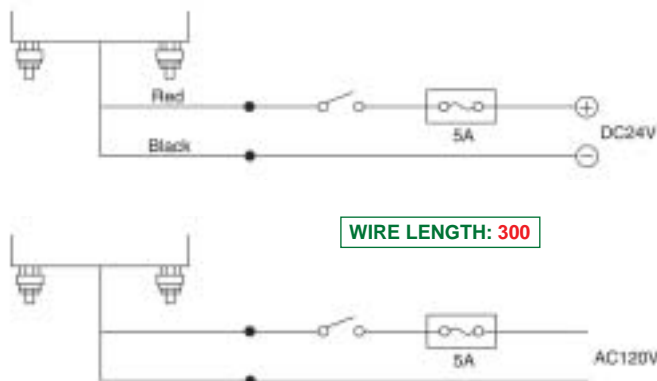
MODEL	RATED VOLTAGE	CURRENT CONSUMPTION	RECOMMENDED FUSE	FLASHES PER MINUTE	WEIGHT
XP-24	DC24V	0.7A	5A	110	1.3Kg
XP-120	AC120V	0.4A	5A	110	1.2Kg

Note: Average power consumption shown. Fuse rating reflects momentary peak current drawn by Xenon lamp.

Dimensions (mm)



Wiring Diagram



Xenon Type Light

ø162mm (6.38 in)

- Colors available: red, yellow and blue.
- Large design increases visibility over standard strobe products.
- Xenon discharge tube provides superior visibility at great distances and is not affected by vibration.
- Lenses are made of AS resin with superior weather resistance and light translucence.
- Main body is made of ABS resin with superior resistance to impact and heat.
- DC12V and AC220V versions available by special order.



Strobe Beacons



ø187mm
(7.36 in)
Round

DC
12V

DC
24V

AC
120V

AC
220V

Xenon

IP-23

Pre-Assembled
Pre-Wired

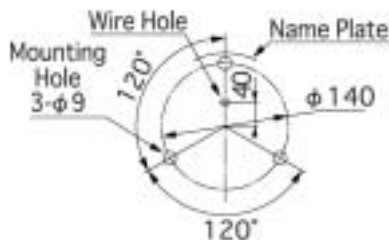
XM

Large, durable Strobe

MODEL	RATED VOLTAGE	CURRENT DRAW	FLASHES PER MINUTE	WEIGHT
XM-12	DC12V	1.4A	110	2.0Kg
XM-24	DC24V	0.7A		
XM-120	AC120V	0.4A		
XM-220	AC220V	0.2A		1.9Kg

Note: Average power consumption shown. Fuse rating reflects momentary peak current drawn by Xenon lamp.

Dimensions (mm)



Wire bundle size & length

AWG16, 270mm



Xenon Type Light

ø187mm (7.36 in)

- Colors available: red, yellow and blue.
- Dome is made of hard resin with superior resistance to impact.
- Lamp life of Xenon discharge tube is not affected by vibration.
- Newly developed lens offers the brightest light available and improves visibility from all directions.
- Superior visibility. Night-time visibility: 1,000m (3,280 ft.) or more.



PEW PES

Super Mini Size

PEW Continuous and Flashing

PEW-B with Audible Alarm

PES Continuous and Flashing

LED Type Light **cULus** **CE**
ø82mm (3.23 in)

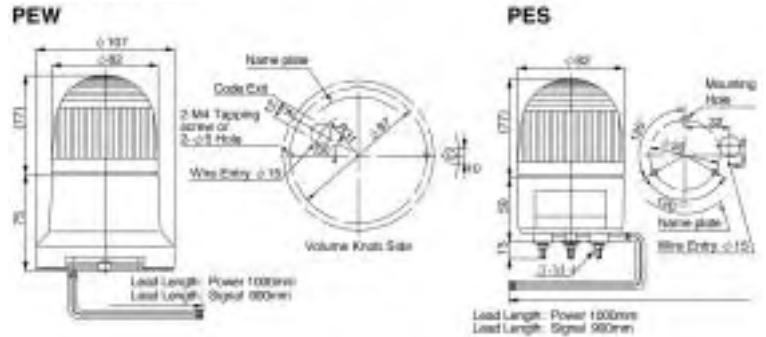
- Colors available: red, yellow, green and blue.
- *IP Rating: PEW meets IP-65, PES meets IP-23 (IP-55 w/gasket SZ-210).
- Flashing function available in three different flash rates: 60 fpm, 120 fpm, 180 fpm.
- Dome is visible from top and sides.
- PEW-B features 85dB/m adjustable audible alarm with volume control.
- Low power consumption.
- PES: Optional mounting brackets available (SZ-30L, SZ-30T).
- AC230V version available by special order.

MODEL	RATED VOLTAGE	FREQUENCY OF FLASH	SOUND LEVEL (ALARM TYPE ONLY)
PEW-24	AC/DC24V	Approx. 60/120/180 times/minute	From 70dB to 85dB (at 1m)
PEW-24B	AC/DC24V		
PEW-120	AC120V		
PEW-120B	AC120V		
PES-24	AC/DC24V		
PES-24B	AC/DC24V		
PES-120	AC120V		
PES-120B	AC120V		

LED Dome Indicator

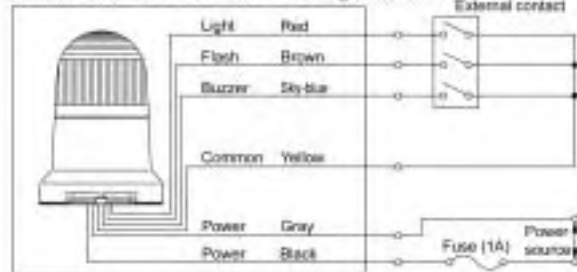
Dome shape provides increased visibility and the LEDs provide years of maintenance-free operation.

Dimensions (mm)



Wiring Diagram

All models have the same wiring scheme.



WIRE LENGTH:

PEW: 850
PES: 800

*Skyblue line exists on buzzer type only.

PES / PEW	Module	Module				Alarm (PEW)	Standby	Inrush
		Red	Amber	Green	Blue			
Device Current*	AC/DC24V	55mA	55mA	65mA	65mA	40mA		
Power Consumption*	AC/DC24V	1.2W	1.2W	1.5W	1.5W	1.0W		2.5A
	AC120V	3.0W	3.0W	3.0W	3.5W	2.7W	1.4W	1.0A

*Typical, not guaranteed

PEW

PES





SB-06

Solar Battery Powered LED Beacon

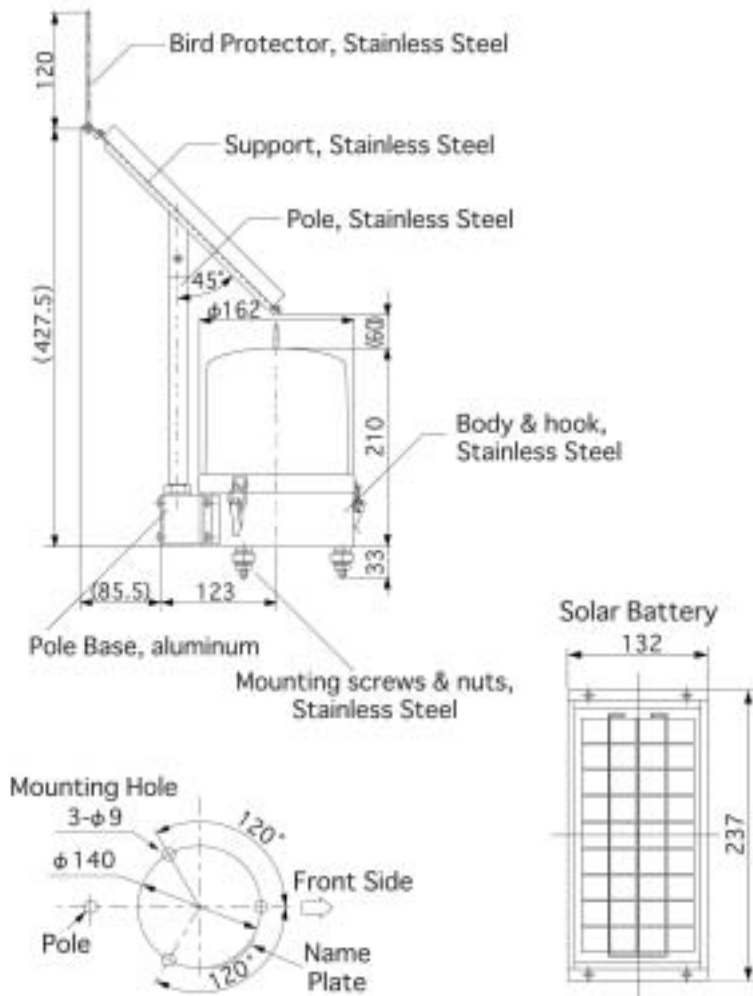
High level of brightness with long battery life.

- Operates by Solar Battery.
- Ideal for applications that do not have power sources available.
- LED simulated rotation.
- Color available: red.
- Dome lens is made of heavy duty acrylic.
- Housing is made of stainless steel SUS304.
- Visible from approx. 650 yards away during night time (with clear conditions).
- Model SB-06P operates for approx. 11 days, Model SB-06A operates for approx. 9 days (note: only during night time operation).
- Operation by an external contact is possible.

ø162mm Dome (6.38 in)



Dimensions (mm)



Specifications

MODEL		SB-06A	SB-06P
Solar Battery	Max. output	2.5W	
	Max. output current	0.28A	
	Max. output voltage	8.5V	
Inside Battery	Nominal voltage	6V	
	Nominal current	5.0Ah	4.0Ah
LED		Red LED, 24 pcs. , Flashing speed 100/minute	
Continuous operation without recharge at 77°F		approx. 11 days	approx. 9 days
Continuous operation without recharge at 77°F*		approx. 6 days*	approx. 5 days*
Operating temperature		-22°F to 140°F	5°F to 140°F
Weight		3.8 kg	3.5 kg

* With 24 hours/day continuous operation by an external contact.
Continuous operation without recharge is subject to ambient condition.

CLE

The CLE Series Machine Vision Light Uses LEDs for illumination

LED Type Light



Machine Vision Light

CLE-24 Standard Light

CLE-24N Narrow Light

Specifications

MODEL	CLE-24	CLE-24N
Spot Size	Wide Spot	Narrow Spot
Rated Voltage	DC24V (Either Polarity)	
Power Consumption	3W	3W
Light Source	24 LEDs, White, High Luminosity	
Luminous Intensity @ Optical Center	20 Candela	130 Candela
Installation	Any Direction	
Operating Temp. Range	-24°C to +60°C (No Condensation)	
Protection Rating	IP65F	
Vibration	10.6 m/sec ² (2G)	
Mass	0.3 kg	
Glass Surface	Frosted	Clear
Recommended Fuse	1A, 125V	



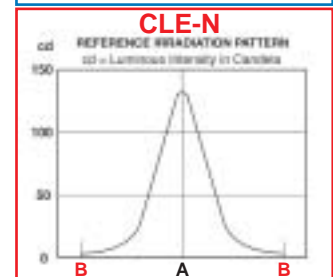
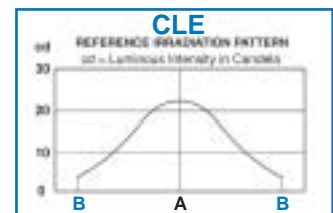
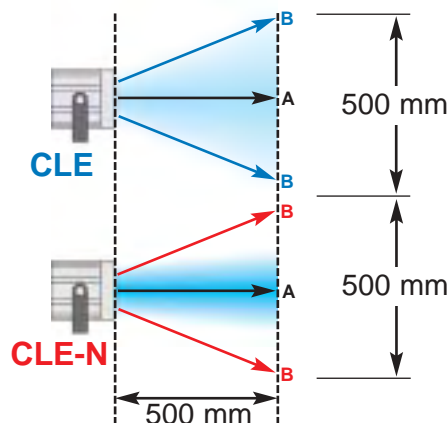
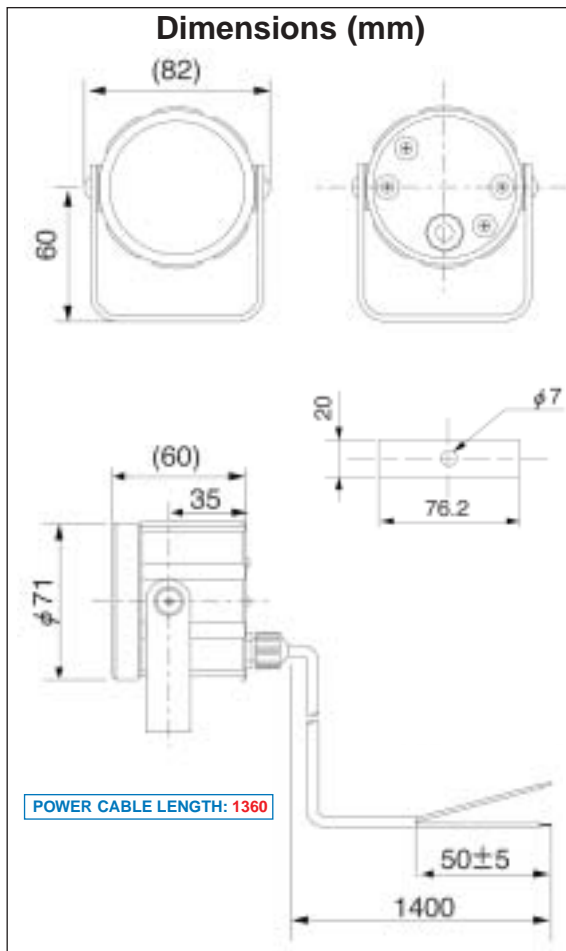
CLE-24

CLE-24N

ø71mm (2.8 in)

- Designed for the machine tool, process, inspection, and image processing industries.
- Cold Light System using ultra-bright LEDs.
- Long life and high reliability even in harsh environments.
- Low power consumption (3W).
- Rust, corrosion and oil-proof anodized aluminum body.
- Lens made of reinforced shock resistant glass for lasting lens transparency.
- Lens glass is frosted for CLE-24, and is clear for CLE-24N.
- Meets IP-65f.
- DC24V only.

Dimensions (mm)





LU5

LU5 Series - Medium size Modular System Indicating Light

Perfect for OEMs that offer different multi-stack versions in their machine design.

Direct Mount

LU5

Continuous Light

LU5-FB

Continuous and Flashing Light with Audible Alarms

LED Type Light



ø50mm (2 in)

- Colors available: red, yellow, green, blue and clear.
- No tools required to assemble.
- Easy wiring with spring loaded terminal block.
- NPN or PNP open collector compatible.
- FB type: Two selectable single-tone alarms, one intermittent and one continuous, with adjustable volume to 85dB (at 1m), and light has 60 flashes per minute.
- Long lasting, bright LEDs.
- Once mounted on a machine, the tower can be easily removed from the terminal base for shipping, and re-installed without tools.



} **Terminal Base**



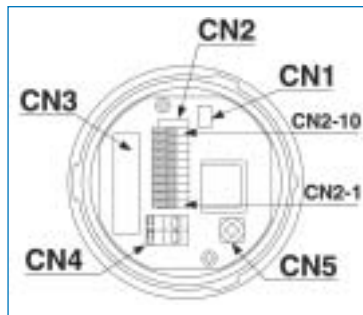
Assembly Required

How to Order:

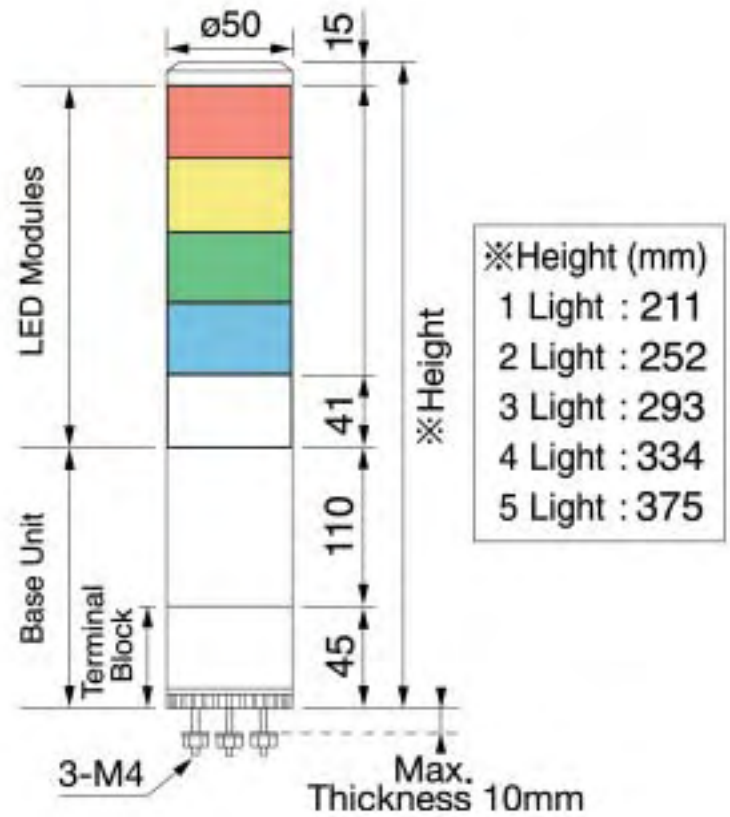
Base Module (including cap)		
Model	Rated Voltage	Alarm / Flash
LU5-02	DC24V	—
LU5-02FB	DC24V	2 Alarms/Flash

LED Module	
Model	Color
LU5-E-R	Red
LU5-E-Y	Yellow
LU5-E-G	Green
LU5-E-B	Blue
LU5-E-C	Clear

Terminal Diagram



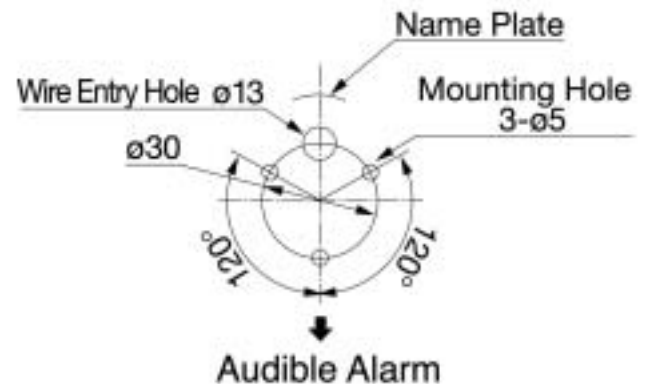
Dimensions (mm)



Terminal Wiring Chart

Terminal Number	Corresponding Unit or Operation	Refer to Wiring Diagrams
		Page 57 Diagrams 1 & 2
CN2-1	Red LED Unit	Light Wire 1
CN2-2	Yellow LED Unit	Light Wire 2
CN2-3	Green LED Unit	Light Wire 3
CN2-4	Blue LED Unit	Light Wire 4
CN2-5	Clear LED Unit	Light Wire 5
CN2-6	Continuous Alarm	Alarm 1
CN2-7	Intermittent Alarm	Alarm 2
CN2-8	Power Supply	Power 1
CN2-9	Flashing Common	Flashing Common
CN2-10	Power Supply	Power 2

Wire Sizes: CN2-(1-10): AWG 22-18



LU5 Series		Module					Alarms	
		Red	Amber	Green	Blue	Clear	Steady	Inrush
Device Current*	DC24V	44mA	44mA	17mA	17mA	17mA	50/24mA	100mA
Power Consumption*	DC24V	1.06W	1.06W	0.41W	0.41W	0.41W	1.20.58W	

*Typical, not guaranteed

LU7

Direct Mount

LU7

Continuous Light

LU7-FB

Continuous and Flashing Light
with Audible Alarms

ø70mm (2.76 in)



} Terminal
Base

LU7 Series - Large size Modular System Indicating Light

*Perfect for OEMs that offer different
multi-stack versions in their machine design.*

LED Type Light  

- Easy wiring with spring loaded terminal block.
- NPN or PNP open collector compatible (24V type), and NPN open collector compatible (90-250V type).
- Available in DC24V and Free-Voltage, AC90 to 250V.
- FB type: Two selectable single-tone alarms, one intermittent and one continuous, with adjustable volume to 90dB (at 1m), and light has 60 flashes per minute.
- Pole mount options available: SZ-50L, SZ-50T (see pages 58-59).
- Long lasting, bright LEDs.
- LED strobe module available.
- Once mounted on a machine, the tower can easily be removed from the terminal base for shipping, and re-installed without tools.



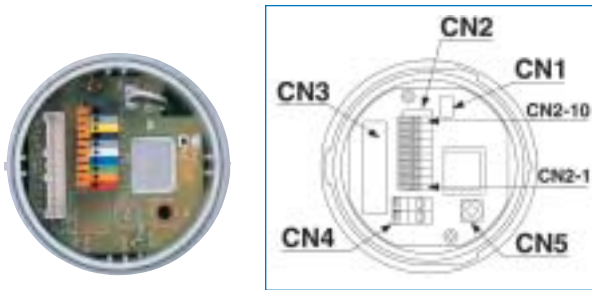
Assembly Required

How to Order:

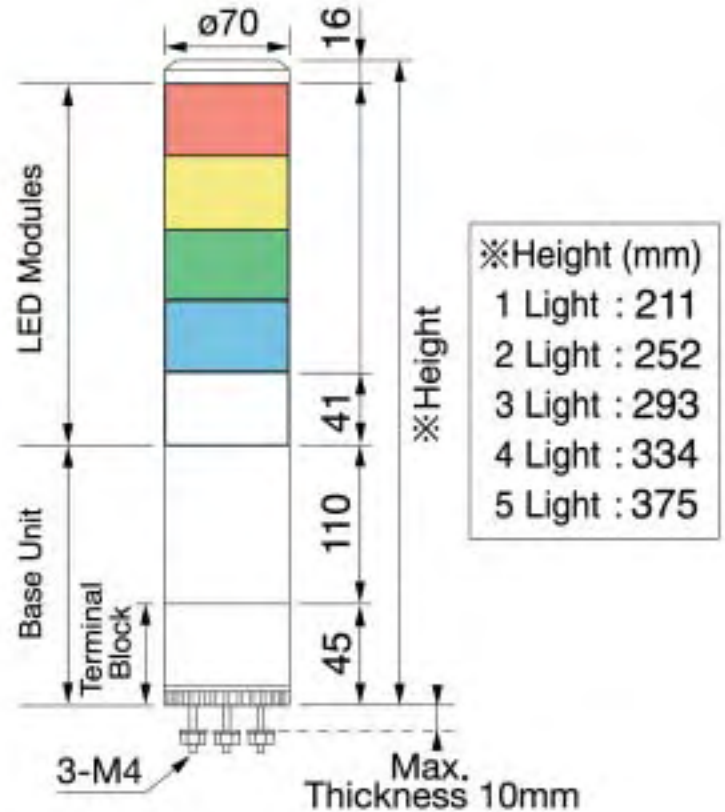
Base Module (including cap)		
Model	Rated Voltage	Alarm / Flash
LU7-02	DC24V	—
LU7-02FB	DC24V	2 Alarms/Flash
LU7-M2	AC90~250V	—
LU7-M2FB	AC90~250V	2 Alarms/Flash

LED Module	
Model	Color
LU7-E-R	Red
LU7-E-Y	Yellow
LU7-E-G	Green
LU7-E-B	Blue
LU7-E-C	Clear

Terminal Diagram



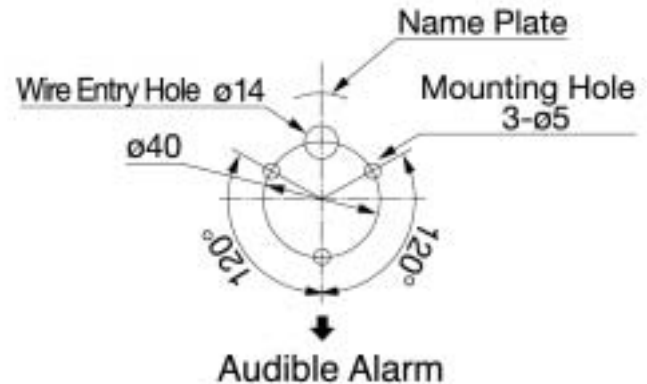
Dimensions (mm)



Terminal Wiring Chart

Terminal Number	Corresponding Unit or Operation	Ref: Wiring Diagrams (Page 57)	
		Diagrams 1 & 2	Diagram 3
CN2-1	Red LED Unit	Light Wire 1	Light Wire 1
CN2-2	Yellow LED Unit	Light Wire 2	Light Wire 2
CN2-3	Green LED Unit	Light Wire 3	Light Wire 3
CN2-4	Blue LED Unit	Light Wire 4	Light Wire 4
CN2-5	Clear LED Unit	Light Wire 5	Light Wire 5
CN2-6	Continuous Alarm	Alarm 1	Alarm 1
CN2-7	Intermittent Alarm	Alarm 2	Alarm 2
CN2-8	Power Supply	Power 1	Continuous Common
CN2-9	Flashing Common	Flashing Common	Flashing Common
CN2-10	Power Supply	Power 2	N / A
CN4-1	High Voltage Supply	N / A	Power 1
CN4-2	High Voltage Supply	N / A	Power 2
CN5	Earth Ground	N / A	Earth Ground

Wire Sizes: CN2-(1-10): AWG 26-20, UL1007, UL1430
 CN4-1, CN4-2: AWG 18-16, UL1015
 CN5: AWG 18-14, UL1015



LU7 Series		Module					Alarms		Standby
		Red	Amber	Green	Blue	Clear	Steady	Flash	
Device Current*	DC24V	52mA	52mA	42mA	42mA	42mA	500mA	100mA	
	DC24V	1.25W	1.25W	1.0W	1.0W	1.0W	1.20.5W		
Power Consumption*	AC90V	10W Max. (5 Colors + Alarm)					1.5/1.3W		0.4W
	AC250V								0.5W

*Typical, not guaranteed

WE

WE Series Wall mounted Indicator

Ultra-Slim Signal Lights that offer seamless integration with equipment

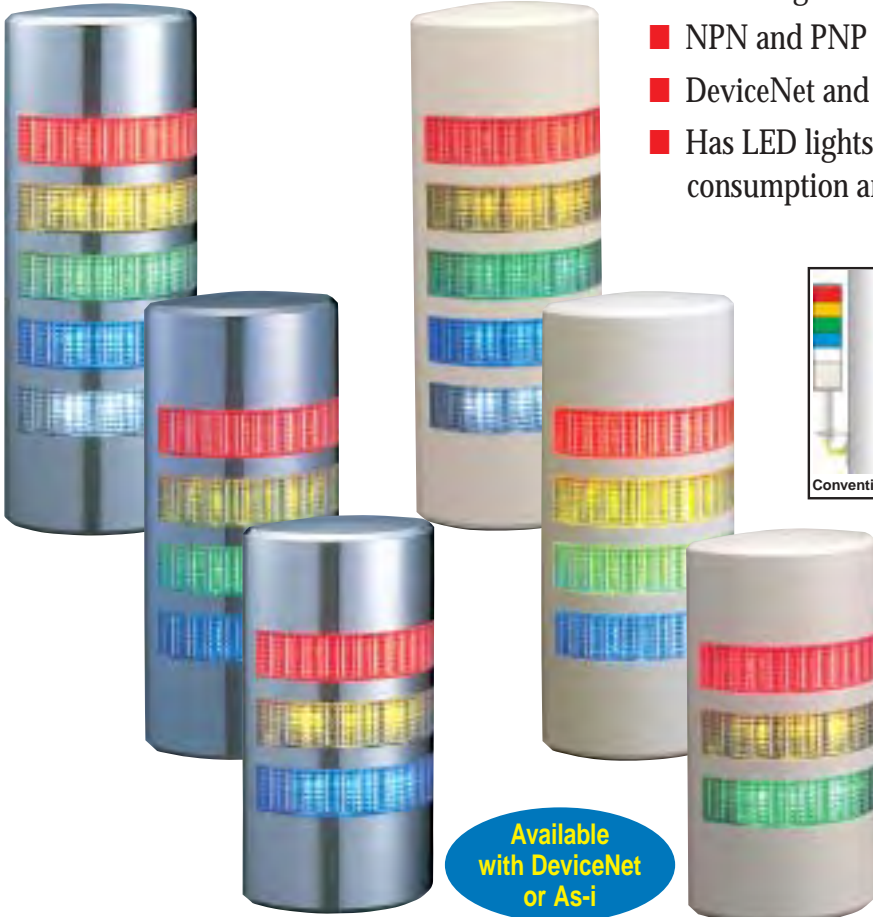
Wall Mount

WE-T	Continuous Light
WE-TFB	Continuous and Flashing Light with Audible Alarms
WEP-T	Continuous Light
WEP-TFB	Continuous and Flashing Light with Audible Alarms

37.5mm Profile (1.5 in)

WE
Chrome
Cover

WEP
Cream Color
Cover

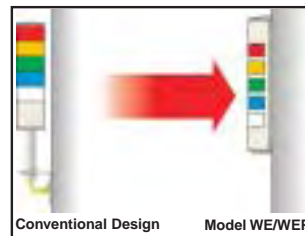


Available with DeviceNet or As-i

LED Type Light



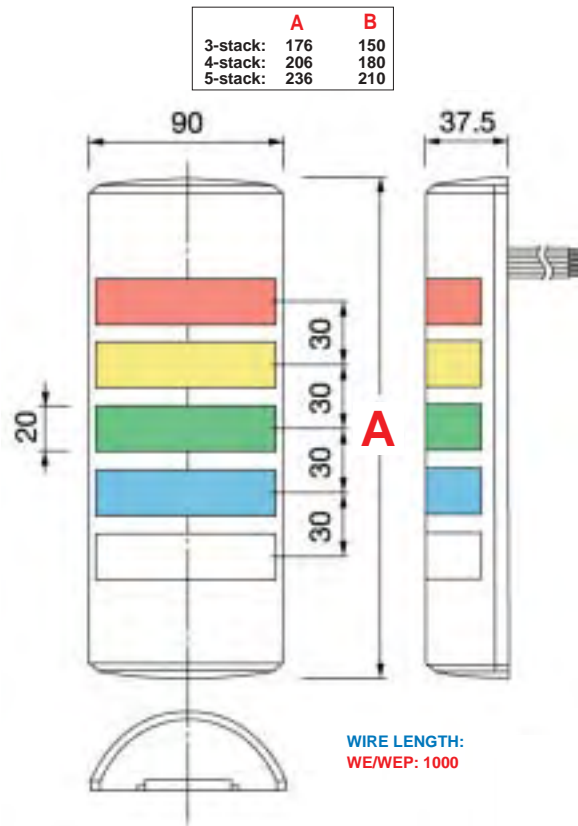
- Ultra-slim profile.
- Light colors are available in red, yellow, green, blue and clear.
- Cover is available in 2 finishes: chrome plate and cream color.
- UL component recognized, CE compliant and meets IP-65 standards (IP-54 for "FB" types).
- "FB" versions feature a flashing circuit (60 flashes/minute) and 2 selectable single-tone, intermittent alarms with volume 90dB (at 1m).
- Available in 3, 4 or 5 light styles.
- Mounting: Vertical or Horizontal positions.
- NPN and PNP open collector transistor compatible.
- DeviceNet and As-i versions are available.
- Has LED lights for long life, low power consumption and low maintenance.



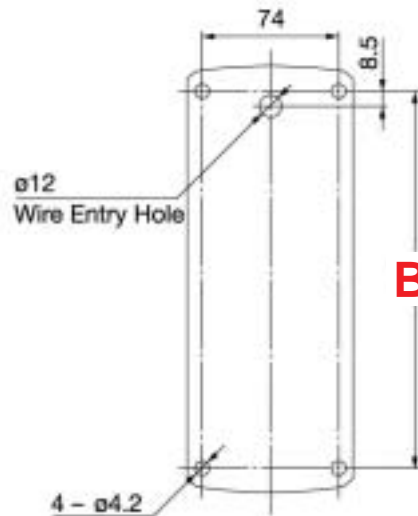
IP-65 construction is safe for wash-down environments.

STYLE	MODEL	RATED VOLTAGE
3 LIGHT	WE-302T-RYG	AC/DC24V
	WE-302T-RYB	
	WE-302T-RYC	
	WEP-302T-RYG	AC/DC24V
	WEP-302T-RYB	
	WEP-302T-RYC	
	WE-302TFB-RYG	AC/DC24V
	WE-302TFB-RYB	
	WE-302TFB-RYC	
	WEP-302TFB-RYG	AC/DC24V
	WEP-302TFB-RYB	
	WEP-302TFB-RYC	
4 LIGHT	WE-402T-RYGB	AC/DC24V
	WE-402T-RYGC	
	WE-402T-CYGB	
	WEP-402T-RYGB	AC/DC24V
	WEP-402T-RYGC	
	WEP-402T-CYGB	
	WE-402TFB-RYGB	AC/DC24V
	WE-402TFB-RYGC	
	WE-402TFB-CYGB	
	WEP-402TFB-RYGB	AC/DC24V
	WEP-402TFB-RYGC	
	WEP-402TFB-CYGB	
5 LIGHT	WE-502T-RYGBC	AC/DC24V
	WEP-502T-RYGBC	
	WE-502TFB-RYGBC	AC/DC24V
	WEP-502TFB-RYGBC	

Dimensions (mm)



Bracket Foot Print



How to Order (Example)

WEP - 5 02TFB - RYGBC

Cover Type:
WE: Chrome Cover
WEP: Cream Color Cover

Light Style:
3: 3 Light
4: 4 Light
5: 5 Light

Type:
Flashing/Buzzer or Continuous (no FB shown)

Rated Voltage:
02: AC/DC24V

Color:
R: Red
Y: Yellow
G: Green
B: Blue
C: Clear
(Top to Bottom)

LU7 Series	Module	Alarms					Standby	
		Red	Amber	Green	Blue	Clear		
Device Current*	DC24V	52mA	52mA	42mA	42mA	42mA	50/24mA	100mA
Power Consumption*	DC24V	1.25W	1.25W	1.0W	1.0W	1.0W	1.2/0.58W	
	AC24V	10W Max. (5 Colors + Alarm)					1.8/1.3W	0.4W
	AC250V							0.3W

*Typical, not guaranteed

NOTE: See page 57 for wiring diagrams.



80mm (3.15 in) Profile	AC/DC 24V	AC 90~250V	IP-65*	90 dB/m	Electronic Alarms: 2	Open- Collector 24V	Pre- Assembled Pre-Wired
------------------------------	--------------	---------------	--------	------------	----------------------------	---------------------------	--------------------------------

WME

WME Series Wall Mounted Indicator

Solves your space problems! Designed for easy mounting to save you both time and money.

LED Type

WME-A

Continuous Light

WME-AFB

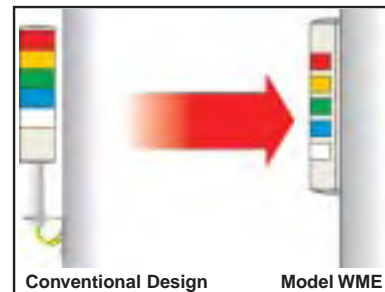
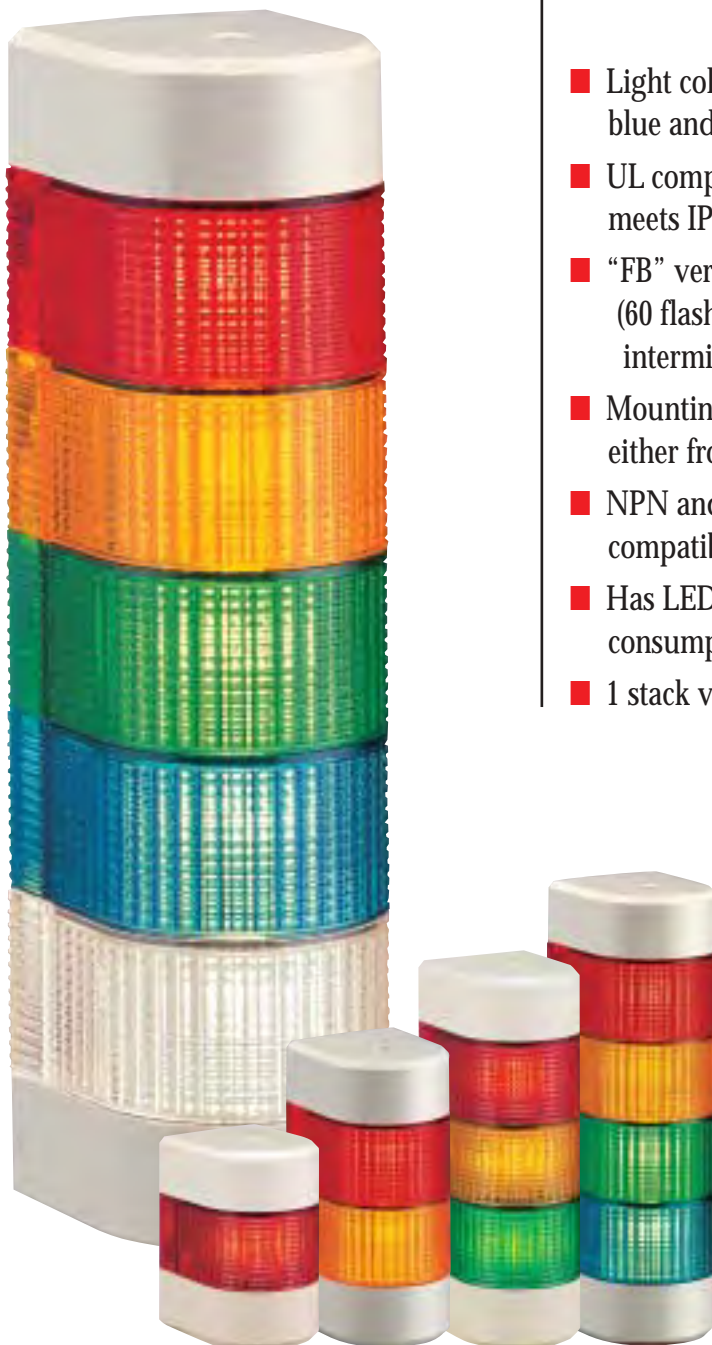
Continuous and Flashing Light with Audible Alarms

LED Type Light



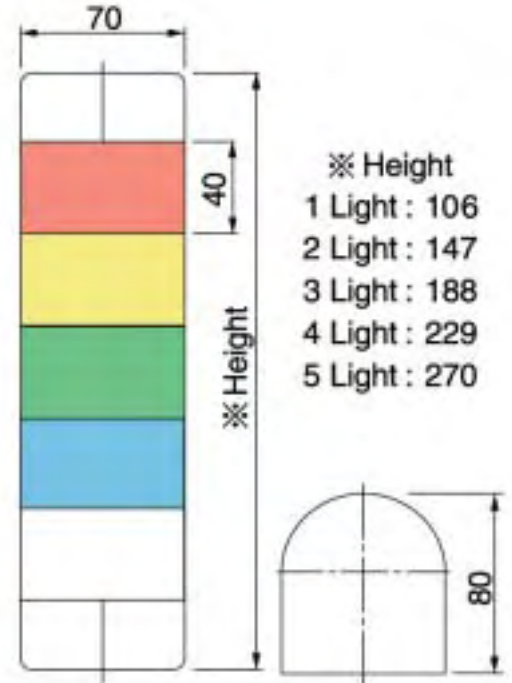
80mm Profile (3.15 in)

- Light colors are available in red, yellow, green, blue and clear.
- UL component recognized, CE compliant and meets IP-65 standards ("FB" version, upright only).
- "FB" version features a flashing circuit (60 flashes/minute) and 2 selectable single-tone, intermittent alarms with volume 90dB (at 1m).
- Mounting: Vertical or Horizontal positions to either front panel or from ceilings.
- NPN and PNP open collector transistor compatible (DC24V only).
- Has LED lights for long life, low power consumption and low maintenance.
- 1 stack versions available only by special order.



Dimensions (mm)

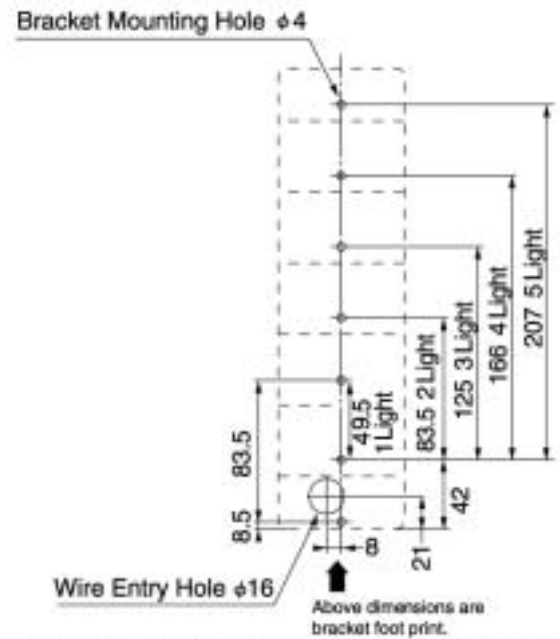
STYLE	MODEL	RATED VOLTAGE
1 LIGHT	WME-102A	AC/DC24V
	WME-102AFB	
	WME-1M2A	AC90~250V
	WME-1M2AFB	
2 LIGHT	WME-202A	AC/DC24V
	WME-202AFB	
	WME-2M2A	AC90~250V
	WME-2M2AFB	
3 LIGHT	WME-302A	AC/DC24V
	WME-302AFB	
	WME-3M2A	AC90~250V
	WME-3M2AFB	
4 LIGHT	WME-402A	AC/DC24V
	WME-402AFB	
	WME-4M2A	AC90~250V
	WME-4M2AFB	
5 LIGHT	WME-502A	AC/DC24V
	WME-502AFB	
	WME-5M2A	AC90~250V
	WME-5M2AFB	



How to Order (Example)

WME - 5 02AFB - RYGBC

Type: WME
Light Style: 1: 1 Light, 2: 2 Light, 3: 3 Light, 4: 4 Light, 5: 5 Light
Type: Flashing/Buzzer or Continuous (no FB shown)
Rated Voltage: 02: AC/DC24V, M2: AC90~250V
Color: R: Red, Y: Yellow, G: Green, B: Blue, C: Clear (Top to Bottom)



Lead Wire Length: Approx 1,000mm from Entry Hole

WME-A Series	Module	Alarms							Standby
		Red	Amber	Green	Blue	Clear	Steady	Inrush	
Device Current*	DC24V	23mA	27mA	18mA	38mA	38mA	40mA	250mA	
	AC/DC24V	0.7W	0.7W	0.6W	0.6W	0.6W	1.5W	0.0W	
Power Consumption*	AC180V	1.1W	1.1W	1.1W	1.5W	1.5W	1.4W		0.6W
	AC240V	1.4W	1.4W	1.4W	2.0W	2.0W	1.8W		0.9W

*Typical, not guaranteed

NOTE: See page 57 for wiring diagrams.

80mm (3.15 in) Profile	AC/DC 24V	AC 120V	AC 230V	IP-65*	80 dB/m	Electronic Alarm: 1	Open- Collector 24V	Pre- Assembled Pre-Wired
------------------------------	--------------	------------	------------	--------	------------	---------------------------	---------------------------	--------------------------------

WMM

WM Series Wall Mounted Indicator

Solves your space problems! Designed for easy mounting to save you both time and money.

Bulb Type

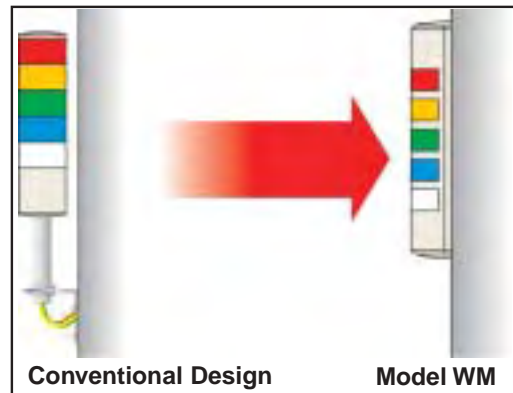
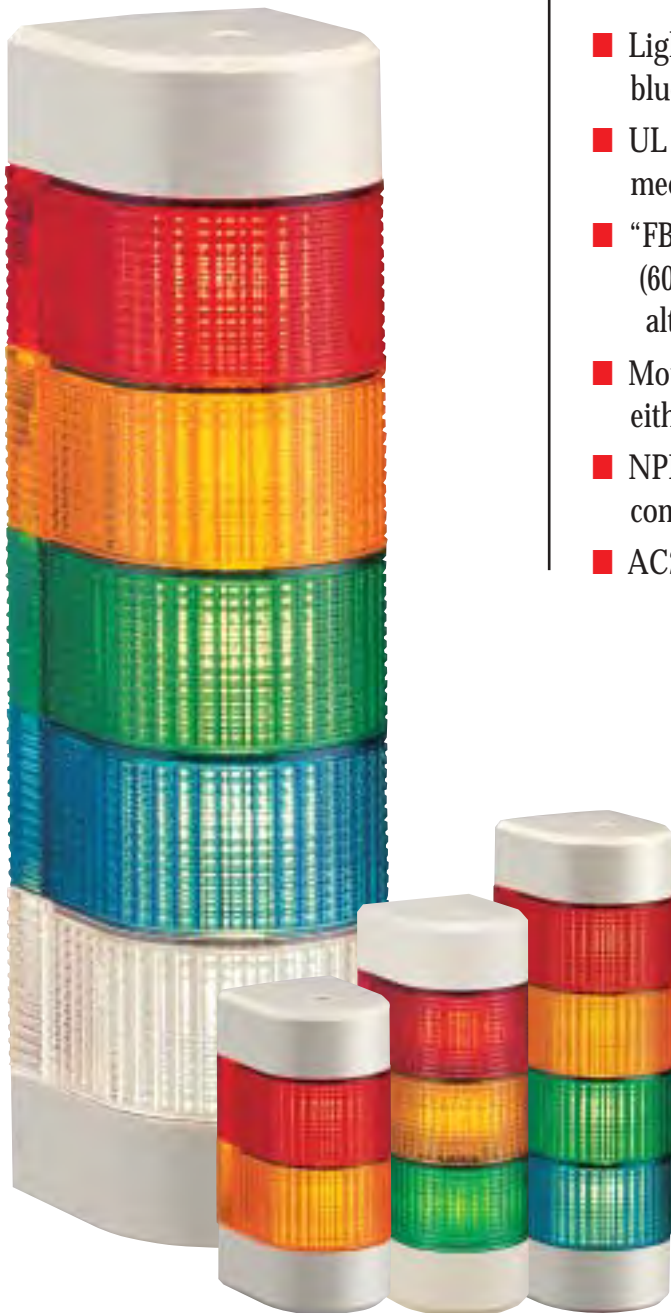
WM-T Continuous Light

WM-TFB Continuous and Flashing Light with Audible Alarm



80mm Profile (3.15 in)

- Light colors are available in red, yellow, green, blue and clear.
- UL component recognized, CE compliant and meets IP-65 standards ("FB" version, upright only).
- "FB" versions feature a flashing circuit (60 flashes/minute) and 1 alarm with an alternating 2-tone and volume 80dB (at 1m).
- Mounting: Vertical or Horizontal positions to either front panel or from ceilings.
- NPN and PNP open collector transistor compatible (DC24V only).
- AC230V version available by special order.



KJS KJSB

Slim Size

KJS

Rotating Beacon

KJSB

with Audible Alarm

STYLE	MODEL	RATED VOLTAGE	WATTAGE	BULB	WEIGHT	
					No.	
1 LIGHT	KJS-102 KJSB-102	DC24V	12W	24V 10W	10	0.5Kg
	KJS-112 KJSB-112	AC120V	8W	12V 5W	11	0.7Kg
2 LIGHT	KJS-202 KJSB-202	DC24V	24W	24V 10W	10	0.8Kg
	KJS-212 KJSB-212	AC120V	16W	12V 5W	11	1.2Kg
3 LIGHT	KJS-302 KJSB-302	DC24V	35W	24V 10W	10	1.2Kg
	KJS-312 KJSB-312	AC120V	23W	12V 5W	11	1.6Kg

How to Order (Example)

KJS B- 3 02 - RYG

Model:

Light
Style:

1: 1 Light
2: 2 Light
3: 3 Light

Rated Voltage:

02: DC24V
12: AC120V

Color:

R: Red
Y: Yellow
G: Green
B: Blue

Type:
Buzzer version
if B shown

(Top to Bottom)

Rotating Cube Tower

Mirrored parabolic reflector increases visibility on this slim rotating beacon.

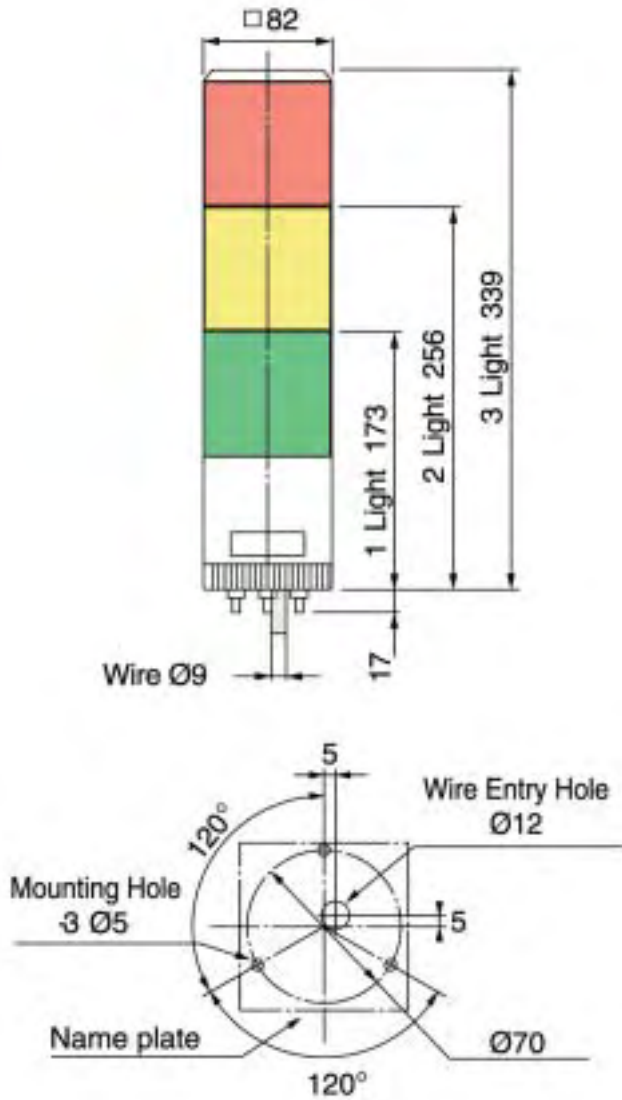


ø82mm (3.23 in)

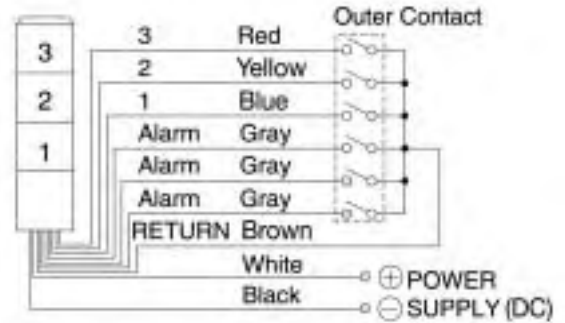
- Colors available: red, yellow, green and blue.
- Integral rotating parabolic reflector makes the light visible from a distance. KJS/KJSB rotates 160 times/minute.
- Lenses can be arranged in any combination desired.
- Each light can be operated separately.
- KJSB has an integral alarm that sounds intermittently.
- KJS/KJSB: Optional mounting brackets available: (SZ-30L, SZ-30T) & SZ-007.
- DC12V and AC220V versions available by special order.



Dimensions (mm)



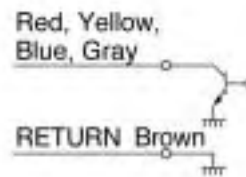
Wiring Diagrams



(Note) Gray lead wires do not exist in KJS type.

WIRE LENGTH: 250

Open collector NPN transistor



Transistor Capacity (NPN)

Model	KJS (KJSB)
Current Capacity	$I_c \geq 50mA$ ($I_c \geq 400mA$)
Withstand Voltage	$V_c \geq 45V$

KJS / KJSB Series	Bulb	Color / Position				Alarm	
		G18 / BA158	Red	Amber	Green		Blue
Power Consumption*	DC12V	12V / 10W	5W	5W	5W	5W	0.3W
	DC24V	24V / 10W	11.5W	11.5W	11.5W	11.5W	1.0W
	AC120V	12V / 5W	7.5W	7.5W	7.5W	7.5W	0.5W
	AC220V	12V / 5W	7.5W	7.5W	7.5W	7.5W	0.5W

*Typical, not guaranteed



KJ KJB

Standard Size

KJ Rotating Beacon

KJB with Audible Alarm

STYLE	MODEL	RATED VOLTAGE	WATTAGE	BULB	No.	WEIGHT
1 LIGHT	KJ-102 KJB-102	DC24V	12W	24V 10W	10	1.0Kg
	KJ-112 KJB-112	AC120V	7W	12V 5W	11	1.2Kg
2 LIGHT	KJ-202 KJB-202	DC24V	23W	24V 10W	10	1.5Kg
	KJ-212 KJB-212	AC120V	13W	12V 5W	11	2.0Kg
3 LIGHT	KJ-302 KJB-302	DC24V	34W	24V 10W	10	2.0Kg
	KJ-312 KJB-312	AC120V	18W	12V 5W	11	2.5Kg
4 LIGHT	KJ-402 KJB-402	DC24V	48W	24V 10W	10	2.5Kg
	KJ-412 KJB-412	AC120V	26W	12V 5W	11	3.0Kg

How to Order (Example)

KJ B- 4 02 - RYGB

Model:

Light
Style:

1: 1 Light
2: 2 Light
3: 3 Light
4: 4 Light

Rated Voltage:
02: DC24V
12: AC120V

Color:

R: Red
Y: Yellow
G: Green
B: Blue
(Top to Bottom)

Type:
Buzzer version
if B shown

Rotating Cube Tower

Larger beacon uses mirrored parabolic reflector for increased visibility.

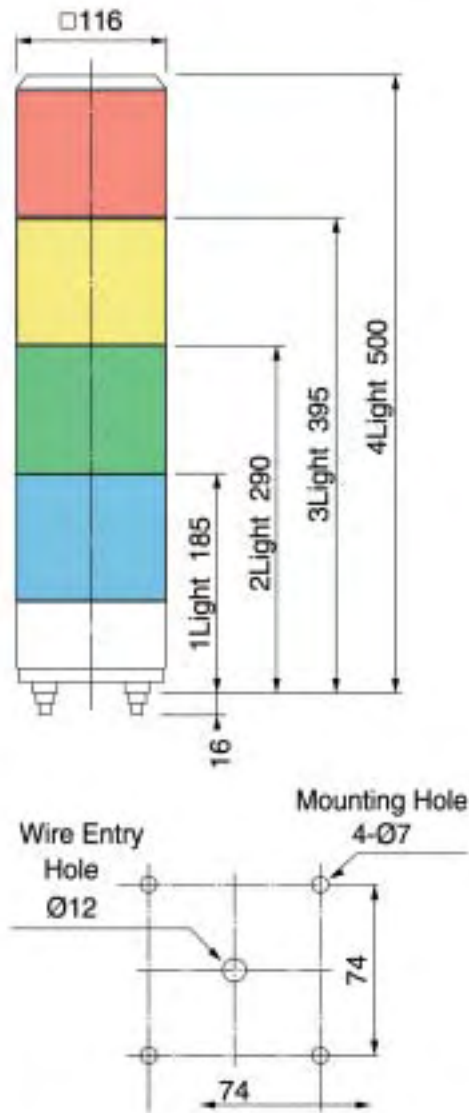


ø116mm (4.57 in)

- Colors available: red, yellow, green and blue.
- Integral rotating parabolic reflector makes the light visible from a distance. KJ/KJB rotates 130 times/minute.
- Lenses can be arranged in any combination desired.
- Each light can be operated separately.
- KJB has an integral alarm that sounds intermittently.
- AC220V version available by special order.

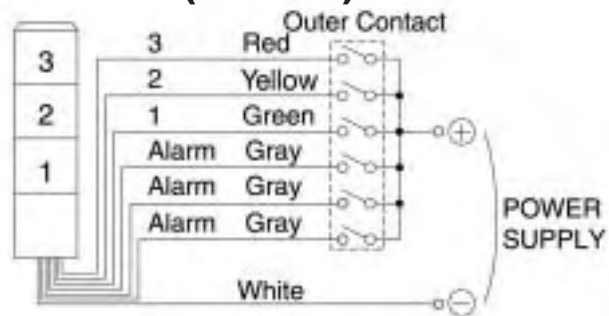


Dimensions (mm)



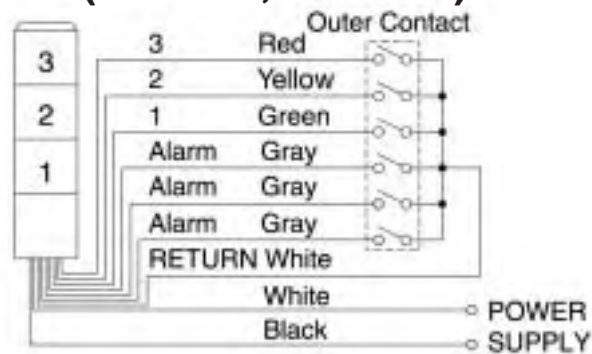
Wiring Diagrams

(DC24V)



WIRE LENGTH: 250

(AC120V, AC220V)



(Note) Gray lead wires do not exist in KJ type.

KJ / KJB Series	Bulb	Color / Position				Alarm	
		G18 / BA15S	Red	Amber	Green		Blue
Current Consumption*	DC24V	24V / 10W	0.5A	0.5A	0.5A	0.5A	0.06A
	AC120V	12V / 5W	0.05A	0.05A	0.05A	0.05A	0.01A
	AC220V	12V / 5W	0.02A	0.02A	0.02A	0.02A	0.005A

*Typical, not guaranteed



LGEH

Indicating Light with Horn
The LGEH Series is a large horn and signal tower combination that supplies greater sound and visibility.

Horn/Signal Tower

LGEH-FKA Alarm
Comes with 8 alarm sounds

LGEH-FL Chime: Comes with 6 melodies and 2 chimes
Choose from Sound Types: F, Q, S

LGEH-FM Melody: Comes with 8 melodies
Choose from Sound Types: G, H, P

LGEH-FV Voice Synthesizer
Can replay 4 messages with 64 sec. of total program time



ø100mm (3.94 in)

- Colors available: red, yellow, green, blue and clear.
- IP Rating: IP-53. ■ Stacking: 1 to 4 lights.
- LED light is effectively diffused to create a full and brilliant color with a triple reflection system.
- Large diameter signal tower is visible from great distances (lens dimension is 100mm x 50mm).
- Lenses are made of heat & shock resistant polycarbonate resin.
- LSI digital voice synthesizer assures continuous high quality sound reproduction for the life of the system.
- Maximum output level of 102dB/m with an adjustable volume.
- Auxiliary output allows connection to an external amplifier.
- 220V version is only available by special order.

NOTE: See Page 56 for the Sound Type Selection Chart.



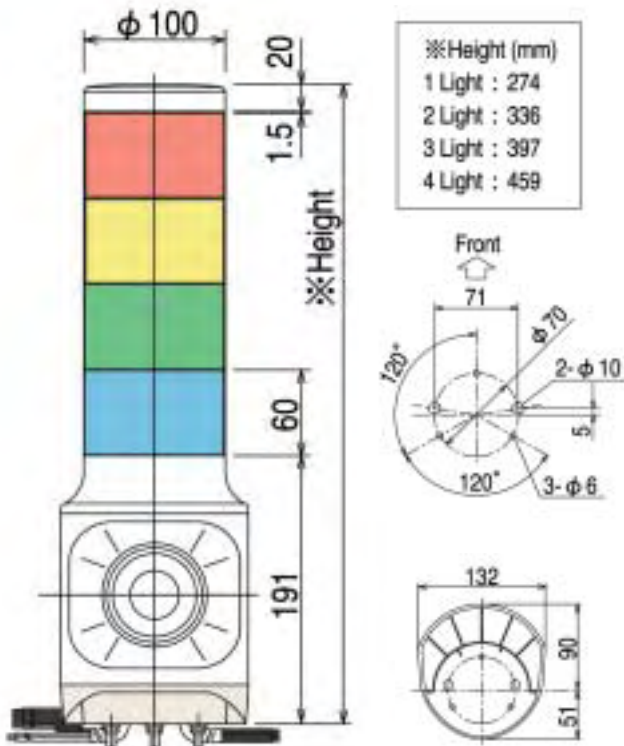
TYPE OF MODEL	MODEL	RATED VOLTAGE
1 LIGHT	LGEH-102F	AC/DC24V
	LGEH-112F	AC120V
	LGEH-120F	AC220V
2 LIGHT	LGEH-202F	AC/DC24V
	LGEH-212F	AC120V
	LGEH-220F	AC220V
3 LIGHT	LGEH-302F	AC/DC24V
	LGEH-312F	AC120V
	LGEH-320F	AC220V
4 LIGHT	LGEH-402F	AC/DC24V
	LGEH-412F	AC120V
	LGEH-420F	AC220V

How to Order (Example)

LGEH - 4 02 F L - RYGB

Model **Light Style:**
 1: 1 Light
 2: 2 Light
 3: 3 Light
 4: 4 Light
Series Number **Rated Voltage:**
 02: AC/DC24V
 12: AC120V
 20: AC220V
Sound Type **Color:**
 R: Red
 Y: Yellow
 G: Green
 B: Blue
 C: Clear
 (Top to Bottom)

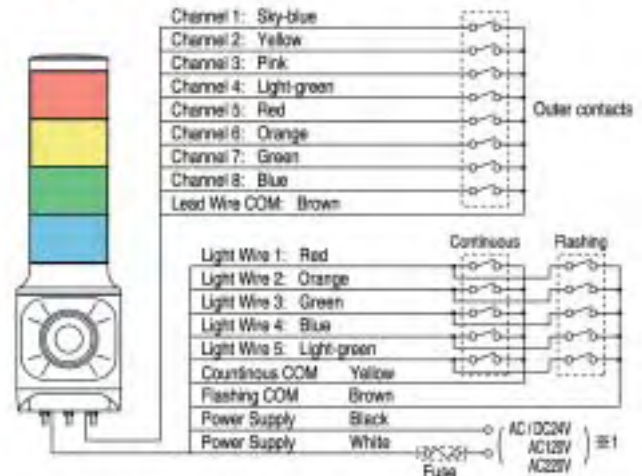
Dimensions (mm)



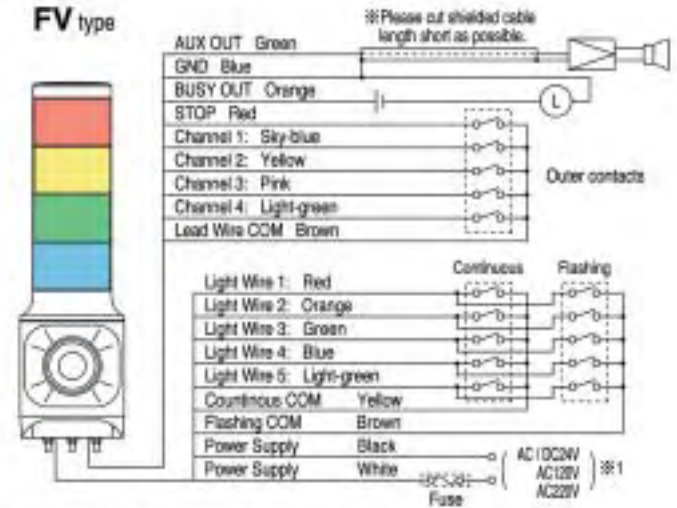
Wiring Diagram in Direct Power Connection

FM, FKA, FL types

WIRE LENGTH: 300



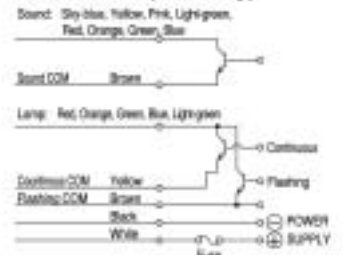
FV type



※ 1 In case of AC/DC 24V, Connect black ⊖ and white ⊕.

Note : The greater number has priority when any of the channels are activated simultaneously, except FM-A type, which has no priority.

NPN transistor (24V only)



LGEH Series	Module					Sound	
	Red	Amber	Green	Blue	Clear	-FKA / -FL / -FM	-FV
DC24V	2W	2W	2W	2W	2W	7W	12W
AC120V	3W	3W	3W	3W	3W	8W	9W
AC220V	3W	3W	3W	3W	3W	8W	9W

*Typical, not guaranteed

LGH

Horn/Signal Tower

LGH-FK

Alarm
Comes with 8 alarm sounds



Indicating Light with Horn

The LGH Series is a large horn and signal tower combination that supplies greater sound and visibility.



ø100mm (3.94 in)

- Colors available: red, yellow, green, blue and clear.
- IP Rating: IP-53. ■ Stacking: 1 to 5 lights.
- Large diameter signal tower is visible from great distances (lens dimension is 100mm x 50mm).
- Lenses are made of heat & shock resistant polycarbonate resin.
- LSI digital voice synthesizer assures continuous high quality sound reproduction for the life of the system.
- Maximum output level of 102dB/m with an adjustable volume.
- Auxiliary output allows connection to an external amplifier.
- 220V version is only available by special order.

NOTE: See Page 56 for the Sound Type Selection Chart.



How to Order (Example)

LGH - 5 02 FKA - RYGBCB

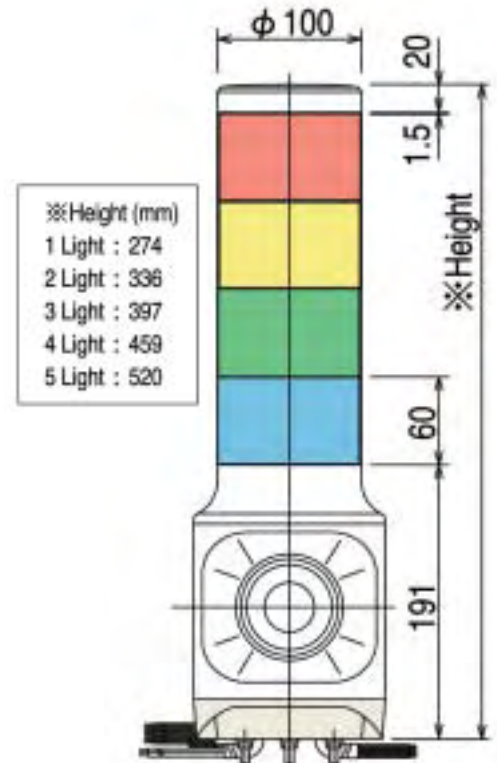
Model
Light Style:
 1: 1 Light
 2: 2 Light
 3: 3 Light
 4: 4 Light
 5: 5 Light

Series and Sound Type
Rated Voltage:
 02: AC/DC24V
 12: AC120V
 20: AC220V

Color:
 R: Red
 Y: Yellow
 G: Green
 B: Blue
 C: Clear
 (Top to Bottom)

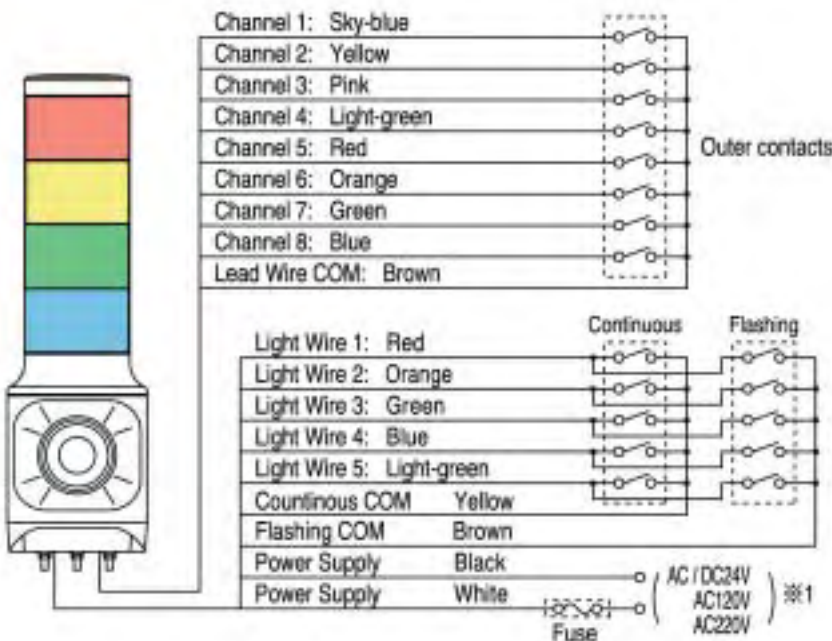
TYPE OF MODEL	MODEL	RATED VOLTAGE	BULB	WEIGHT	
				No.	
1 LIGHT	LGH-102FK	AC/DC24V	28V 20W	50	1.7kg
	LGH-112FK	AC120V	140V 20W	52	1.8kg
	LGH-120FK	AC220V	250V 20W	53	1.8kg
2 LIGHT	LGH-202FK	AC/DC24V	28V 20W	50	1.8kg
	LGH-212FK	AC120V	140V 20W	52	1.9kg
	LGH-220FK	AC220V	250V 20W	53	1.9kg
3 LIGHT	LGH-302FK	AC/DC24V	28V 20W	50	2.0kg
	LGH-312FK	AC120V	140V 20W	52	2.0kg
	LGH-320FK	AC220V	250V 20W	53	2.0kg
4 LIGHT	LGH-402FK	AC/DC24V	28V 20W	50	2.1kg
	LGH-412FK	AC120V	140V 20W	52	2.1kg
	LGH-420FK	AC220V	250V 20W	53	2.1kg
5 LIGHT	LGH-502FK	AC/DC24V	28V 20W	50	2.1kg
	LGH-512FK	AC120V	140V 20W	52	2.2kg
	LGH-520FK	AC220V	250V 20W	53	2.2kg

Dimensions (mm)



Wiring Diagram in Direct Power Connection

WIRE LENGTH: 300



LGH-KA Series	Bulb	Color / Position					Sound	
		T20 / BA15D	Red	Amber	Green	Blue		Clear
Power Consumption*	AC/DC24V	28V / 20W	2W	2W	2W	2W	2W	12W
	AC120V	140V / 20W	3W	3W	3W	3W	3W	9W
	AC220V	250V / 20W	3W	3W	3W	3W	3W	9W

*Typical, not guaranteed



AC 120V	90 dB/m	32 Sec.	Open- Collector	Pre- Assembled Pre-Wired
------------	------------	---------	--------------------	--------------------------------

WVG

Wall Mount Voice Synthesizer with LED signal light

- Colors available: red, yellow, green and blue.
- Alarming/warning guidance system with voice messages and flashing LED light.
- Effective for audio/visual guidance at public facilities such as train platforms, bathrooms, etc.
- Pre-recorded with custom programming available at PATLITE.
- High quality sound with a max. output of 90dB/m provide clear messages, even in a crowd.
- 3 message channels for various applications. One channel has priority for emergency/security purposes.
- Has 3 messages for a total of 32 seconds.
- NPN open collector transistor compatible.
- Not field recordable.

LED
Type Light



MODEL	WG-03TT
Rated Voltage	AC120V, 50~60Hz
Sound pressure level	90dB (at 1m) adjustable
Audio file	MPEG1-Audio Layer 3 (MP3)
Bit rate	64kbit/s
Audio memory capacity	2Mbit (32 seconds message in total when recorded at bit rate 64kbit/s)
Message combination	Max. 16 phrases
Interface for data modification	Multimedia card interface (use FV-MC)
Mounting place	Indoor only
Weight	600g±10%
Dimensions	240(H)x119(W)x65(D)



WG-03TT-B



WG-03TT
(No LED)



WG-03TT-G

WG-03TT-R

WG-03TT-Y

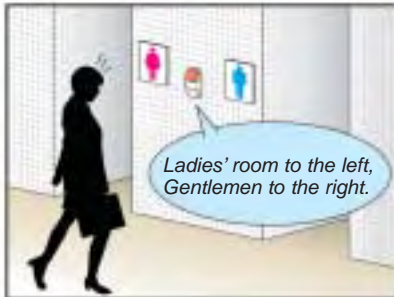
Dimensions (mm)

Channel 1 (example)



(Normal Status) Makes a "ding-ding" sound.

Channel 2 (example)

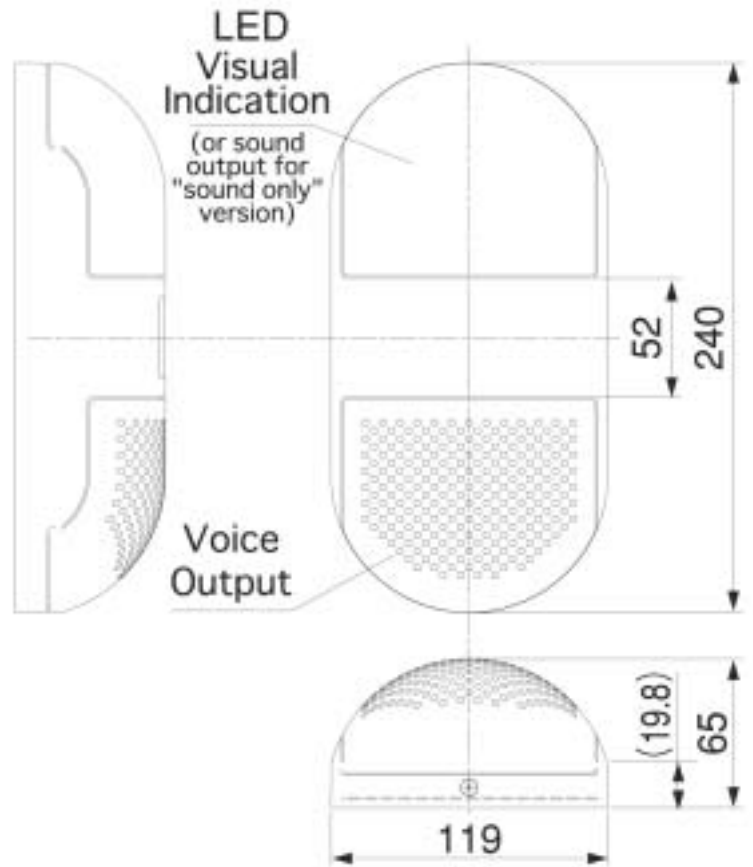


Voice gives instructions at entrance of public bathroom.

Emergency Channel (example)



Voice gives instructions for emergency situations.



Messages can be chosen from the Command Library with custom programming available at PATLITE.

RT

Alarm with Large Rotating Light

The RT Series is a large horn and rotating light combination for increased plant floor coverage.

Alarm with Rotating Light

RT-KA

Alarm
Comes with 8 alarm sounds

RT-L

Chime: Comes with 6 melodies and 2 chimes
Choose from Sound Types: F, Q, S

RT-VS

Voice Synthesizer
Can replay 4 messages with 64 sec.
of total program time



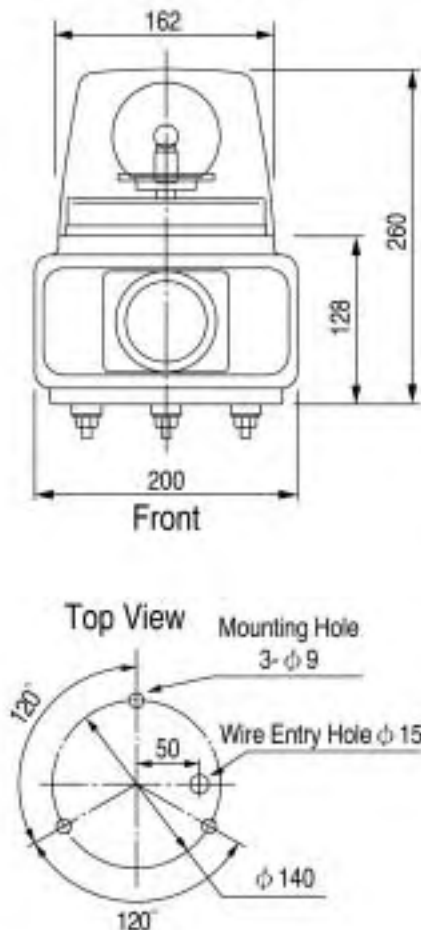
ø162mm Dome (6.38 in)

- Colors available: red, yellow, green and blue.
- Adjustable volume control: Max. 105dB/m.
- Lenses are made of acrylic resin.
- NPN open collector transistor compatible.
- RT-VS requires message programming from the command library (free) or custom messages (optional).
- Clear, distortion-free playback.
- Eight Outputs: RT-L & RT-K.
- Four Outputs: RT-VS.
- Optional mounting bracket: SZ-008.
- 220V version is available by special order.

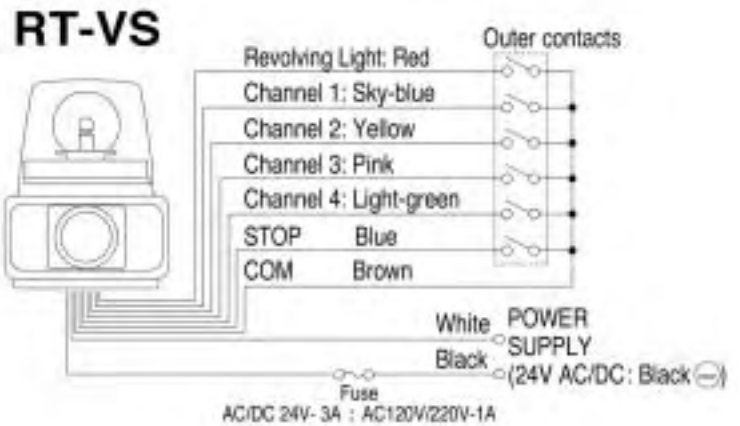
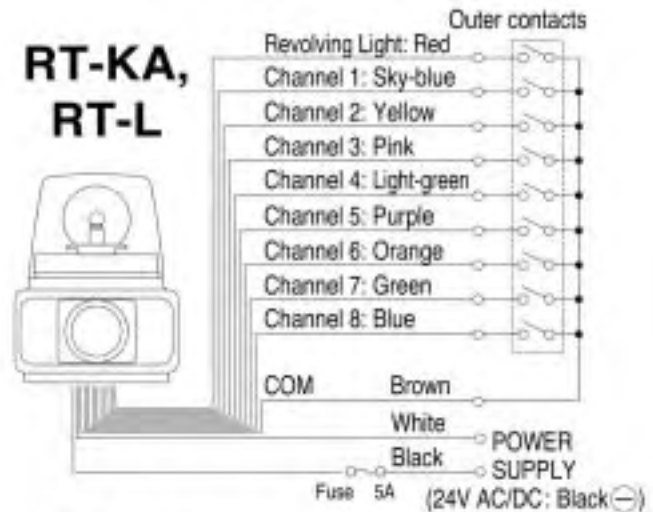


TYPE OF MODEL	MODEL	RATED VOLTAGE	BULB (G18BA15S)	VOLUME		WEIGHT
				No.		
Voice Synthesizer	RT-24VS	AC/DC24V	24V20W	6	Max.	2.0kg
	RT-120VS	AC120V	12V15W	5	105dB/m	2.3kg
Chime Phone	RT-24L	AC/DC24V	24V20W	6	Max.	2.0kg
	RT-120L	AC120V	12V15W	5	105dB/m	2.3kg
Alarm Sound	RT-24KA	AC/DC24V	24V20W	6	Max.	2.0kg
	RT-120KA	AC120V	12V15W	5	105dB/m	2.3kg

Dimensions (mm)



Wiring Diagram



WIRE LENGTH: 250

NOTE: See Page 56 for the Sound Type Selection Chart.

PVB

PVB Series Playback Only

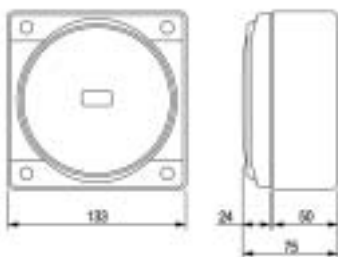
Is perfect for use in noisy environments and can replay messages up to 16 seconds long.

Playback Only

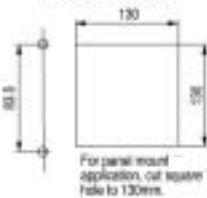
PVB-04

Voice Synthesizer

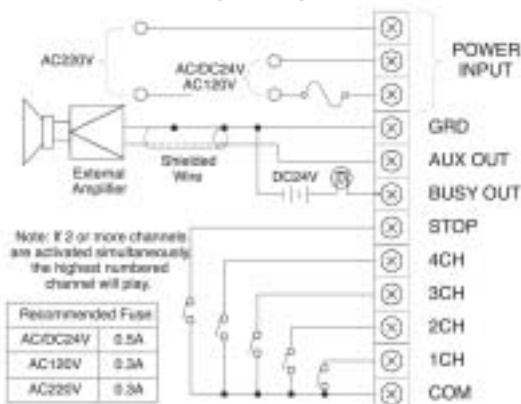
Dimensions (mm)



Mounting Pitch



Wiring Diagram



TERMINALS PROVIDED



133mm square (5.24 in)

- High volume, maximum 90dB at 1m.
- NPN open collector permits direct connection to a PLC.
- Integral volume control to match a range of environments.
- Up to 4 messages for a total of 16 seconds can be set.
- Two mounting options: Wall mount or Panel mount.
- Replaying message may be stopped by "stop" input.
- The playback start signal is input from a switch on an external device. If the signal is received once, the message will be played once; and if the signal is continued, the message will be repeated.
- High volume replay using an optional 30W amplifier (PVA-30=30W) is available.

MODEL	RATED VOLTAGE	CHANNEL	MAX MESSAGE TIME	WATTAGE	OPERATING TEMPERATURE RANGE	VOLUME	WEIGHT
PVB-04JS	AC/DC 24V	4	16 SEC.	7W/5W	-10°C~ +55°C	Max. 90dB/m	0.8Kg
PVB-04TS	AC 120V			7W			1.0Kg

220V version available by special order.

EVB

EVB Series Self-Recordable Annunciator

The EVB Series is a box design with easy self-recording. Record up to 4 messages with 60 seconds total recording time.

Self-Recordable Voice Annunciator

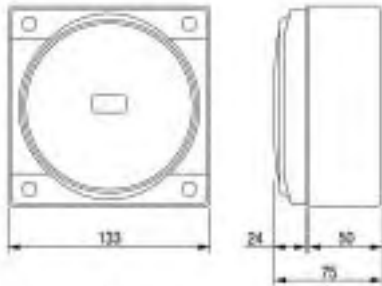
EVB-04

Voice Synthesizer

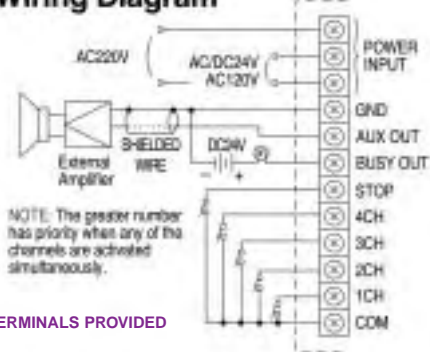
MODEL	RATED VOLTAGE	CHANNEL	MAX MESSAGE TIME	WATTAGE	OPERATING TEMPERATURE RANGE	VOLUME	WEIGHT
EVB-04UF	AC/DC 24V	4	60 SEC.	8W	-10°C ~ +55°C	Max. 90dB/m	0.8Kg
EVB-04TF	AC 120V	4	60 SEC.	8W	-10°C ~ +55°C	Max. 90dB/m	1.0Kg

220V version is available by special order.

Dimensions (mm)



Wiring Diagram



TERMINALS PROVIDED

Mounting Pitch



133mm square (5.24 in)

- Program in the field with optional microphone (MC-EV).
- High quality voice synthesizer replays up to 4 messages with 60 seconds of total program time.
- Maximum output level of 90dB/m with an adjustable volume.
- NPN open collector transistor compatible.
- Two mounting options: wall mount or panel mount.
- Auxiliary output allows connection to external amplifier.
- Easy recording and playback.
- NPN open collector permits direct connection to a PLC.
- Using BUSY terminals, a revolving light or display can be operated during voice output.

PVW

PVW Series Playback Only

Is perfect for use in noisy environments and can replay messages up to 64 seconds long.

Playback Only

PVW-04 / 15

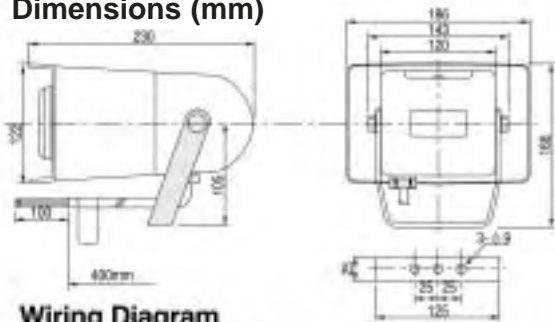
Voice Synthesizer



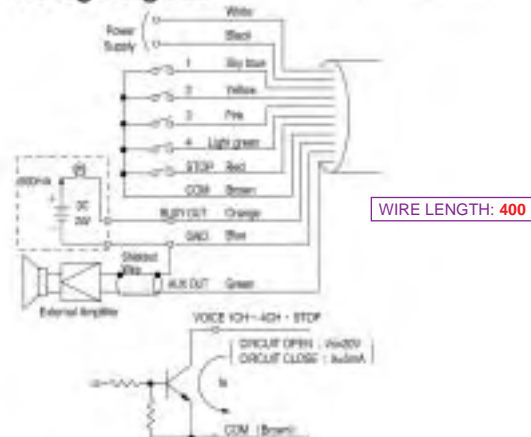
MODEL	RATED VOLTAGE	POWER CONSUMPTION	VOLUME	WEIGHT
PVW-04JF	AC/DC12/24V	12W	Approx. 105dB (at 1m)	1.3kg
PVW-04DF	DC48V	10W		1.3kg
PVW-04KF	AC90-132V	18W		1.4kg
PVW-04CF	AC180-260V	18W		1.4kg
PVW-15JF	AC/DC12/24V	12W	Approx. 105dB (at 1m)	1.3kg
PVW-15DF	DC48V	10W		1.3kg
PVW-15KF	AC90-132V	18W		1.4kg
PVW-15CF	AC180-260V	18W		1.4kg

48V and 220V versions available by special order.

Dimensions (mm)



Wiring Diagram



- Meets IP-53.
- Anti-corrosive stainless steel bracket.
- Clear sound with original wide horn style.
- High volume, maximum 105dB at 1m.
- NPN open collector permits direct connection to a PLC.
- Internal adjustable volume control to match a range of environments.
- PVW-04: Up to 4 messages for a total of 64 seconds can be set.
- PVW-15: Up to 15 messages for a total of 64 seconds can be set.
- Clear sound from voice synthesizers is given by the high bit rate (ADPCM 64 kbit/s).
- Available with optional extension amplifier (PVA-30=30W) connected to AUX OUT.
- Replaying message may be stopped by "stop" input.
- The playback start signal is input from a switch on an external device. If the signal is received once, the message will be played once; and if the signal is continued, the message will be repeated.

EVW

EVW Series Recording and Playback

The EVW Series has easy recording with attached microphone. Record up to 4 messages with 60 seconds total recording time.

Recording and Playback

EVW-04

Voice Synthesizer

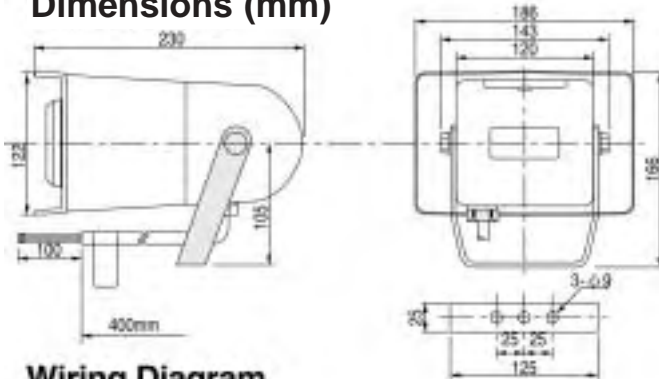
MODEL	RATED VOLTAGE	POWER CONSUMPTION	VOLUME	WEIGHT
EVW-04JF	AC/DC12/24V	12W	105dB (at 1m)	1.2kg
EVW-04KF	AC90~132V	18W		1.4kg
EVW-04QF	AC180~260V	18W		1.4kg

220V version is available by special order.

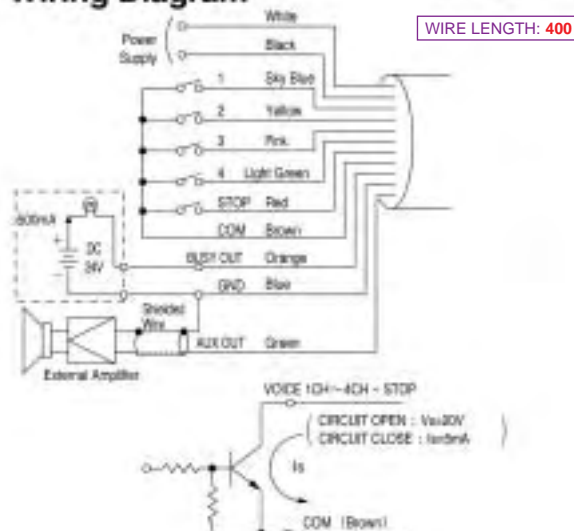


Microphone (Optional)

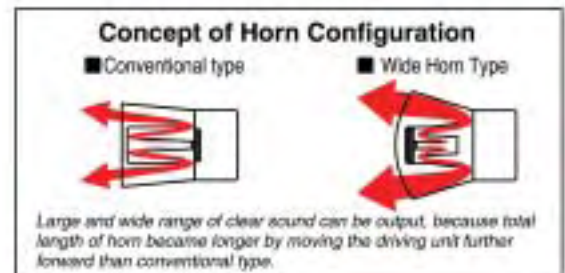
Dimensions (mm)



Wiring Diagram



- Easy recording and playback with optional microphone (MC-EV).
- Meets IP-53 for washdown requirements.
- Anti-corrosive stainless steel bracket.
- Clear sound with original wide horn style.
- High quality voice synthesizer replays up to 4 messages with 60 seconds of total program time.
- High volume, maximum 105dB at 1m, adjustable.
- NPN open collector permits direct connection to a PLC.
- Auxiliary output allows connection to external amplifier.



EW

EW Series Horn Style Alarm

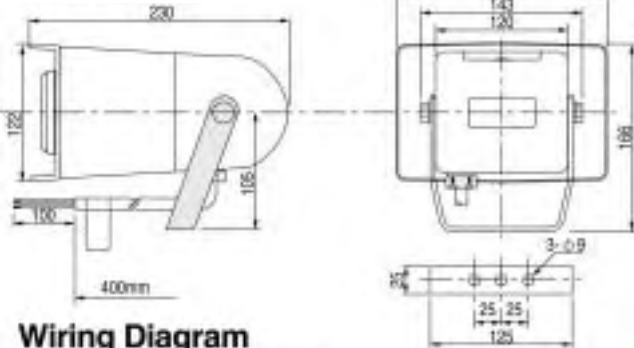
The EW Series with large volume, is perfect for use in noisy factories.

Horn Style Alarm

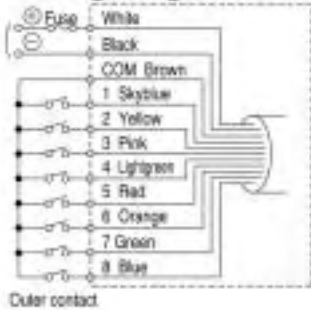
EW-KA	Alarm
EW-L	Chime Choose from Sound Types: F, Q, S
EW-M	Melody Choose from Sound Types: G, H, P



Dimensions (mm)



Wiring Diagram

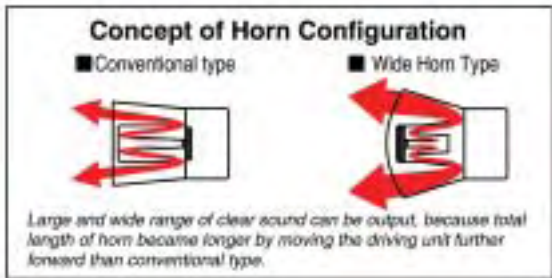


WIRE LENGTH: 400

Fuse Capacity	
Voltage	Fuse
12V	1A
24V	0.5A
48V	0.3A
100V	0.3A
220V	0.15A

- Meets IP-65.
- NPN open collector permits direct connection to a PLC.
- EW-K: has 8 distinctive alert sounds.
- EW-L: has 6 melodies and 2 chime sounds.
- EW-M: has 8 different world familiar melodies.
- Integral volume control.
- Universal mounting bracket permits easy installation in any location.
- LSI digital synthesizer assures continuous high quality sound reproduction for the life of the system.

NOTE: See Page 56 for the Sound Type Selection Chart.



MODEL	RATED VOLTAGE	POWER CONSUMPTION	VOLUME	WEIGHT
EW-24M	AC/DC12/24V	8W	Max. 105dB (at 1m)	1.2kg
EW-48M	DC48V	10W		1.2kg
EW-100M	AC90~132V	12W		1.4kg
EW-220M	AC180~260V	13W		1.4kg
EW-24L	AC/DC12/24V	8W		1.2kg
EW-48L	DC48V	10W		1.2kg
EW-100L	AC90~132V	12W		1.4kg
EW-200L	AC180~260V	13W		1.4kg
EW-24K	AC/DC12/24V	8W		1.2kg
EW-48K	DC48V	10W		1.2kg
EW-100K	AC90~132V	12W		1.4kg
EW-200K	AC180~260V	13W		1.4kg

48V and 180~260V versions available by special order.

EWS

EWS Series Horn Style Alarm

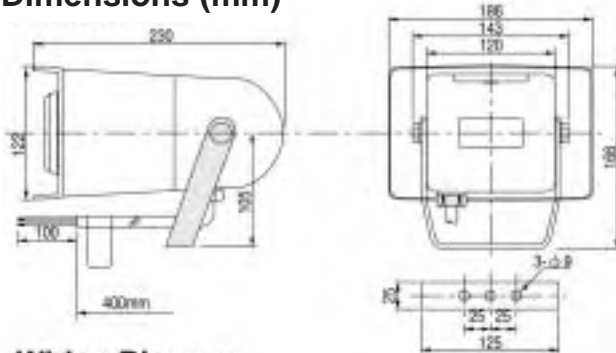
The EWS Series with large volume, is perfect for use in noisy factories.

Horn Style Alarm

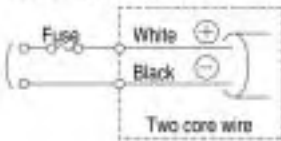
EWS-KA	Alarm
EWS-L	Chime Choose from Sound Types: F, Q, S
EWS-M	Melody Choose from Sound Types: G, H, P



Dimensions (mm)



Wiring Diagram



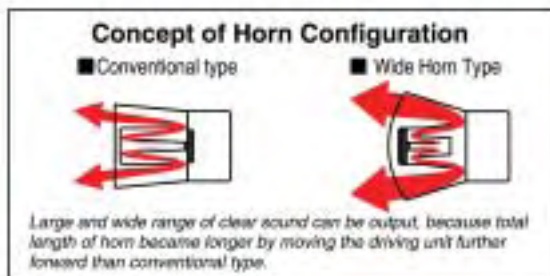
Fuse Capacity

Voltage	Fuse
12V	1A
24V	0.5A
48V	0.3A
100V	0.3A
220V	0.15A

WIRE LENGTH: 400

Sound selection is made by dip switch selection (Caution) polarity of power supply in case of DC.

NOTE: See Page 56 for the Sound Type Selection Chart.



- Meets IP-65.
- NPN open collector permits direct connection to a PLC.
- EWS-K: has 8 distinctive alert sounds.
- EWS-L: has 6 melodies and 2 chime sounds.
- EWS-M: has 8 different world familiar melodies.
- Integral volume control.
- Universal mounting bracket permits easy installation in any location.
- LSI digital synthesizer assures continuous high quality sound reproduction for the life of the system.
- EWS: Select one sound by dip switch from 8 pre-installed sounds.

MODEL	RATED VOLTAGE	POWER CONSUMPTION	VOLUME	WEIGHT
EWS-24M	AC/DC12/24V	8W	Max. 105dB (at 1m)	1.2kg
EWS-48M	DC48V	10W		1.2kg
EWS-100M	AC90~132V	12W		1.4kg
EWS-220M	AC180~260V	13W		1.4kg
EWS-24L	AC/DC12/24V	8W		1.2kg
EWS-48L	DC48V	10W		1.2kg
EWS-100L	AC90~132V	12W		1.4kg
EWS-200L	AC180~260V	13W		1.4kg
EWS-24K	AC/DC12/24V	8W		1.2kg
EWS-48K	DC48V	10W		1.2kg
EWS-100K	AC90~132V	12W		1.4kg
EWS-200K	AC180~260V	13W		1.4kg

48V and 180~260V versions available by special order.

BT

BT Series Audible Alarm

The BT Series, with voice, melody, chime and alarm capability, has variable audible control. Includes a compact, but loud speaker.

Alarm

BT-KA

Alarm

- BT-KA has 8 distinctive alert sounds.

Chime

BT-L

Chime Phone

- BT-L has 6 melodies and 2 chime sounds.
- Choose from F, Q, or S type combinations.

Melody

BT-M

Melody Phone

- BT-M has 8 different popular melodies.
- Choose from G, H, or P type combinations.

Voice Synthesizer

BT-V

Signal Voice

- BT-V is a programmable voice unit that can replay up to 4 messages with 64 sec. of total program time.
- Produces a clear 64Kbit/sec. sound
- Select voice messages, alarms, chimes and melodies from our command library.
- Custom message programming is also available.

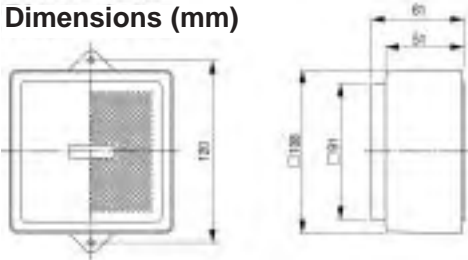


108mm square (4.25 in)

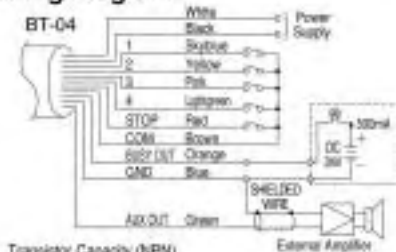
- Meets IP-34 rating.
- NPN open collector transistor compatible.
- One-shot contact closure (>100mS) replays selected channel one time only (BT-V).
- Continuous contact closure replays selected channel repeatedly.
- Mounts anywhere with 3 position bracket.
- Moisture proof structure, suitable for moist environments.

NOTE: See Page 56 for the Sound Type Selection Chart.

Dimensions (mm)



Wiring Diagram



Transistor Capacity (NPN)	
Model	BT-04
Current Capacity	Ic: 100mA
Withstand Voltage	Vc: 20V
Signal line current	3mA

WIRE LENGTH: 400



BT has a 3 Position Mounting Bracket:



Install directly to the panel enclosure w/ detachable mount



Permanent tamper-free mount



Flush mount for concealed look

BT-KA: Has 8 distinctive alert sounds.

MODEL	RATED VOLTAGE	POWER CONSUMPTION	VOLUME	WEIGHT
BT-24KA	AC/DC24V	3.5W	Max. 85dB/m	0.43kg
BT-120KA	AC120V	3W		0.5kg

BT-L: 6 melodies and 2 chime sounds. Choose from F, Q, or S types.

MODEL	RATED VOLTAGE	POWER CONSUMPTION	VOLUME	WEIGHT
BT-24L	AC/DC24V	3.5W	Max. 85dB/m	0.43kg
BT-120L	AC120V	3W		0.5kg

BT-M: 8 different popular melodies. Choose from G, H, or P types.

MODEL	RATED VOLTAGE	POWER CONSUMPTION	VOLUME	WEIGHT
BT-24M	AC/DC24V	3.5W	Max. 85dB/m	0.43kg
BT-120M	AC120V	3W		0.5kg

BT-V: Select voice messages.

MODEL	RATED VOLTAGE	POWER CONSUMPTION	VOLUME	WEIGHT
BT-24V	AC/DC24V	7W	Approx. 85dB/m	0.43kg
BT-120V	AC120V	4W		0.5kg

NOTE: 100V AC, 220V AC versions available by special order.

EB-K, EB-L EMB, ESB ETB-B

EB, EMB, ESB & ETB Series Box Style Alarms, Wall or Panel Mounts

The EB, EMB, ESB and ETB Series have a simple box design that fits with various types of machinery.

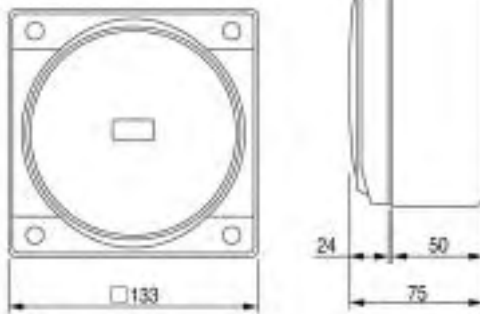


Box Style Alarm

EB-K	8 Output	Alarm
EB-L	8 Output	Chime Choose from Sound Types: F, Q, S
EMB	8 Output	Melody Choose from Sound Types: G, H, P
ESB	1 Output	Alarm
ETB-B	4 Output	Alarm



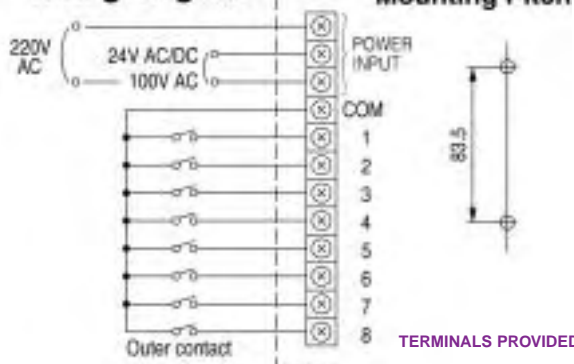
Dimensions (mm)



133mm (4.25 in) square

- LSI digital synthesizer assures continuous high quality sound reproduction for the life of the system.
- Two mounting options: wall or panel mount.
- Units are operated by a continuous contact closure and replay selected channel repeatedly.
- **EB-K** has 8 distinctive alert sounds.
- **EB-L** has 6 melodies and 2 chimes.
- **EMB** has 8 different popular melodies.
- **ESB** has 1 output, alarm.
- **ETB-B** has 4 different alarm sounds.

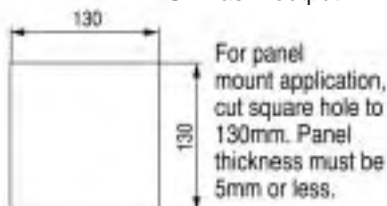
Wiring Diagram



Mounting Pitch



ESB has 1 output.



MODEL	RATED VOLTAGE	POWER CONSUMPTION	VOLUME	WEIGHT
EB-24KA	AC/DC24V	6W	Max. 95dB/m	0.7kg
EB-120KA	AC120V	7W		0.9kg
EB-24L	AC/DC24V	6W	Max. 90dB/m	0.7kg
EB-120L	AC120V	7W		0.9kg
EMB-24	AC/DC24V	6W	Max. 93dB/m	0.7kg
EMB-120	AC120V	7W		0.9kg
ESB-24P	AC/DC24V	4W	Max. 95dB/m	0.7kg
ESB-120P	AC120V	5W		0.9kg
ETB-24B	AC/DC24V	6W	Max. 95dB/m	0.7kg
ETB-120B	AC120V	7W		0.9kg

AC220V version available by special order.

NOTE: See Page 56 for the Sound Type Selection Chart.

Sound List Selection Charts / Audible Products

PATLITE offers a variety of audible products with: ALARMS (such as KA or KD), MELODIES/CHIMES (such as LF or LQ) and MELODIES (such as MG or MH). For ordering, choose the Product and the Alarm type in the tables below. **(Example: EMB H-Type)**

Model	ESB	ETB
Ch		
1	Stutter (1 sound)	Stutter
2		Chime
3		Beep
4		Yelp

Model	BT / EW / EWS / LGEH-F / LGH-F *						
Ch	KA-Type	LF-Type	LQ-Type	LS-Type	MG-Type	MH-Type	MP-Type
1	Beep	Fur Elise	Mary Had a Little Lamb	Amaryllis	Runner	Happy Birthday	She Wore a Yellow Ribbon
2	Stutter	Maiden's Prayer	Camptown Races	Symphony No. 40	I Want to Take Care of You	Mickey Mouse Club March	My Darling Clementine
3	Bell	Minuet	Cuckoo	Silent Lakeside	Listening to Olivia	It's a Small World	The Yellow Rose of Texas
4	Yelp	Annie Laurie	Blacksmith in the Village	Mountain Musician	September	Forest Bear	Yankee Doodle
5	Rapid Hi-Lo	London Bridge is Falling Down	On the Avignon Bridge	Romance De Amour	Saturday Lovers	Cha Cha Toy	When the Saints Go Marching In
6	Melody Chime	Holdiridia	Ob-La-Di, Ob-La-Da	Petrouchka	Autumn	Is There a Kid Like This?	Londonderry Air
7	Synthesized Piano	Chime			Surf Heaven, Ski Heaven	Schuber's Lullaby	Havah Nagilah
8	Synthesized Bell	Call Sign			Color / White Blend	Rudolf the Red-Nosed Reindeer	Jamaica Farewell

* LGH-F is available for KA type only.

Model	EB / RT			
Ch	KA-Type	LF-Type	LQ-Type	LS-Type
1	Beep	Fur Elise	Mary Had a Little Lamb	Amaryllis
2	Stutter	Maiden's Prayer	Camptown Races	Symphony No. 40
3	Bell	Minuet	Cuckoo	Silent Lakeside
4	Yelp	Annie Laurie	Blacksmith in the Village	Mountain Musician
5	Rapid Hi-Lo	London Bridge is Falling Down	On the Avignon Bridge	Romance De Amour
6	Melody Chime	Holdiridia	Ob-La-Di, Ob-La-Da	Petrouchka
7	Synthesized Piano	Chime		
8	Synthesized Bell	Call Sign		

Model	EMB		
Ch	G-Type	H-Type	P-Type
1	Runner	Happy Birthday	She Wore a Yellow Ribbon
2	I Want to Take Care of You	Mickey Mouse Club March	My Darling Clementine
3	Listening to Olivia	It's a Small World	The Yellow Rose of Texas
4	September	Forest Bear	Yankee Doodle
5	Saturday Lovers	Cha Cha Toy	When the Saints Go Marching In
6	Autumn	Is There a Kid Like This?	Londonderry Air
7	Surf Heaven, Ski Heaven	Schuber's Lullaby	Havah Nagilah
8	Color / White Blend	Rudolf the Red-Nosed Reindeer	Jamaica Farewell

Tower Wiring Diagrams For WE, WEP, WME-A and WM Series Only

Refer to the tables and wiring diagrams below, to determine wiring, wire colors and voltages available

⚠ Please Note: Light wire colors correspond to LED module colors, except that the Orange Wire is used for the Yellow Light.

Diagram #1— Continuous Only

DIAGRAM #1		WIRE COLORS	
Continuous Towers	Rated Voltage	Power 1	
WM	24 / 120	Yellow	
WE, WEP, WME-A	24	Yellow	

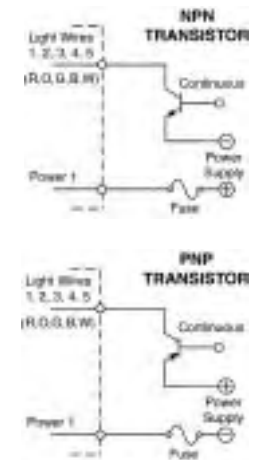
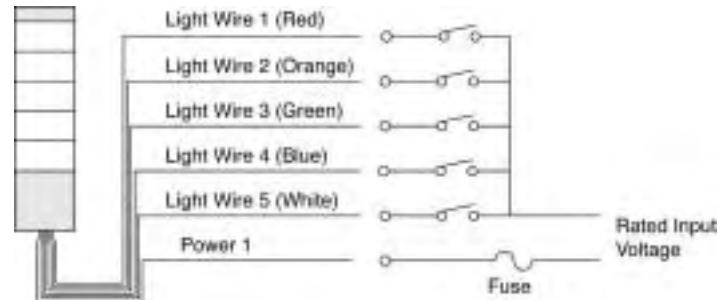


Diagram #2— Continuous and Flashing with Alarm(s)

DIAGRAM #2		WIRE COLORS	
Continuous and Flashing with Alarm(s)	Rated Voltage	1. Power 1 2. Power 2	1. Alarm 1 2. Alarm 2
WM-FB	24 / 120	1. Yellow 2. Gray	1. Sky Blue 2. None
WE-FB, WEP-FB, WME-AFB	24	1. Yellow 2. Gray	1. Purple 2. Sky Blue

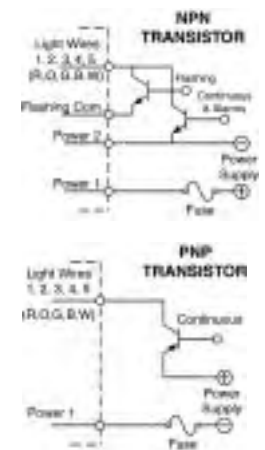
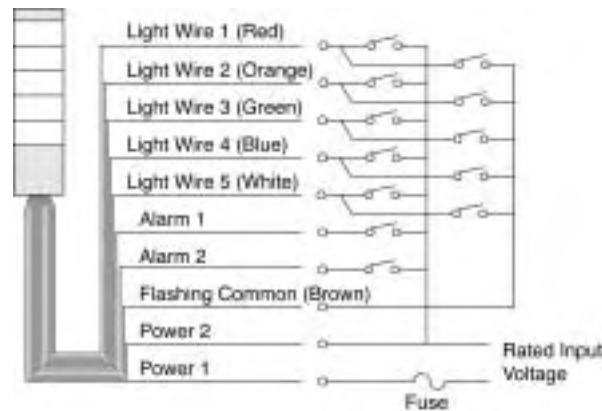
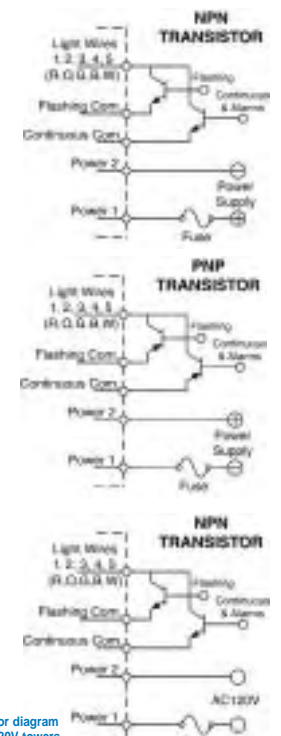
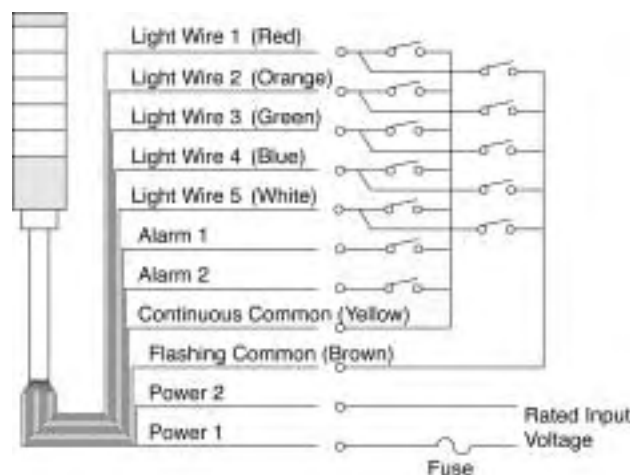


Diagram #3— Continuous or Continuous and Flashing with Alarm(s)

DIAGRAM #3		WIRE COLORS	
Continuous or Continuous and Flashing with Alarm(s)	Rated Voltage	1. Power 1 2. Power 2	1. Alarm 1 2. Alarm 2
WME-A	120	1. Black 2. Gray	1. None 2. None
WME-AFB	120	1. Black 2. Gray	1. Purple 2. Sky Blue

WME-A Series: Continuous Only version does not include the Flashing Common (Brown) wire.

WME-A: Free-Voltage version (AC90-250V model) includes ground wire (Green/Yellow).



NOTES:

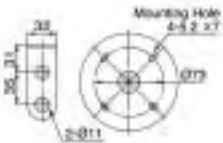
1. Transistors, switches and fuses shown are to be supplied by the customer.
2. Fuse rating is 1A (WM-24V model has a 3A fuse).
3. The WM Series has a fuse installed internally.
4. Never connect Brown to Gray.
5. Open-collector transistor control is for DC24V or AC120V units except where noted.
6. All 5 light wires are supplied even if not all colors are used, except for the following: WE / WEP and WM Series.

This transistor diagram is for all AC120V towers except the WM / WME-A Series.

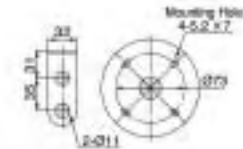
Optional Parts

Mounting Poles & Brackets (mm)

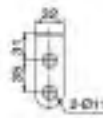
SZ-50L SZ-50T



SZ-30L SZ-30T

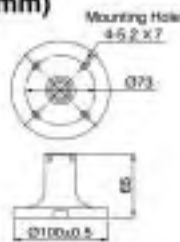


ST-1000MM

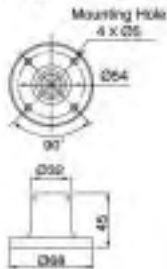


Mounting Brackets (mm)

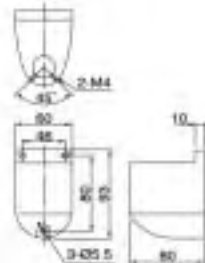
SZ-010 (22mm)



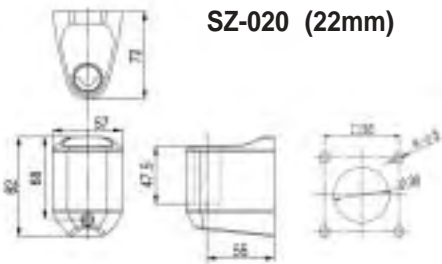
SZ-016 (22mm)



SZ-017 (22mm)



SZ-020 (22mm)



Rubber Gaskets (mm)

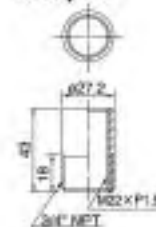
SZ-200A



SZ-210



**SZ-904
3/4" NPT
Adapter**



MODEL	PRODUCT
SZ-50L, SZ-50T	LU7
SZ-30L, SZ-30T	KJS, KX-T, PES, RU, RS, RH-AUL, RK-AUL, SKH-A, SKH-EA
SZ-010, SZ-016, SZ-017 SZ-020, SZ-904	RUP, SZ-30L, SZ-30T, SZ-50L, SZ-50T
SZ-200A	KX-T, RH-AUL, RK-AUL, SKH-EA
SZ-210	PES, RU, RS



Manufacturing Plant, Japan



Head Office, Japan



Technical Center, Japan



PATLITE (U.S.A.) Corp., California

PATLITE (U.S.A.) Corporation

Website: www.patlite.com

E-mail: sales@patlite.com

3860 Del Amo Blvd., Suite 401, Torrance, CA 90503

Tel: (888) 214-2580 toll free or (310) 214-3222

Fax: (310) 214-9999

PATLITE Corporation (JAPAN)

Website: www.patlite.co.jp/int/

2-58 Wakabayashi-cho, Yao-Shi,

Osaka 581-0038 Japan

Tel: (81) 729-48-3211 • Fax: (81) 729-48-5533

ISO14001 / ISO9001 Certified

(Patlite Corporation - Head Office/Sanda Plant/Techno Center)



PATLITE

New Frontiers in Safety, Security and Comfort