



moujen switch USA  
16120 Caputo Drive  
Morgan Hill, CA 95037

Voice: 800-532-5526  
Fax: 408-778-3807

[info@moujenswitch.com](mailto:info@moujenswitch.com)

## ► MJ2 SERIES MICRO SWITCHES

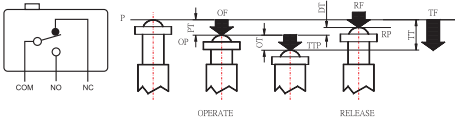
### ◆ FEATURES/功能

- Regular or sealed operating heads. / 一般或密封式頭部
- Momentary contacts. / 接點敏捷
- Completely sealed constructure. / 輔助密封式結構
- Wide choice of heads and actuators. / 多種不同的頭及連桿
- Plastic(Standard) or phenolic housing. / 塑膠(標準型)或電木外殼
- Regular or light operating force. / 一般型或輕動作力型
- Temperature range +5°F to +175°F (-15°C to +80°C). / 適用溫度



● MJ2-1308

### ◆ CIRCUITRY/電氣回路



OF : Operating Force  
RF : Releasing Force  
TF : Total Force  
FP : Free Position  
OP : Operating Position  
RP : Releasing Position

TTP : Total Travel Position  
PT : Pretravel  
OT : Overtravel  
DT : Travel Differential  
TT : Total Travel

### ◆ CHARACTERISTICS/特性

Operating speed	0.01mm to 1m/sec
Operating frequency	Mechanically: 240 operations/min. Electrically: 20 operations/min.
Contact resistance	15m Ω max. (initial)
Insulation resistance	100M Ω min. (at 500 VDC)
Dielectric strength	1,000 VAC, 50/60 Hz for 1 minute between non-continuous terminals 2,000 VAC, 50/60 Hz for 1 minute between current-carry part and ground
Vibration	Malfunction durability: 10 to 55Hz 1.5mm double amplitude
Shock	Mechanical durability: Approx. 1,000m/sec <sup>2</sup> (approx. 100G's) Malfunction durability: Approx. 300 m/sec <sup>2</sup> (approx. 30G's)
Ambient operating temperature	General purpose type: -25° to + 80° C Sealed type: -15° to 80° C
Humidity	General purpose type: 85% RH max Sealed type: 95% RH
Service life	Mechanically: 20,000,000 operations min Electrically: 500,000 operations min.



● MJ2-1317



● MJ2-1307-P



● MJ2-1300



● MJ2-1306-P



● MJ2-1513



● MJ2-1307



● MJ2-1305

### ◆ RATING/額定

15A	125 or 250V AC
1/8 HP	125 V AC
1/4 HP	250 V AC
1/2 A	125 V DC
1/4 A	250 V DC

● MJ2-1308-P



● MJ2-1515



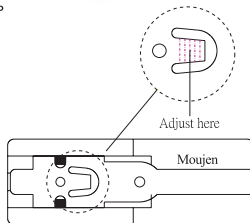
● MJ2-1308R



● MJ2-1306

### ◆ REMARK

- OIL TIGHT SERIES  
MJ2-1315 MJ2-1317  
MJ2-1513 MJ2-1514 MJ2-1515  
MJ2-1711 MJ2-1712 MJ2-1713 MJ2-1714
- SENSITIVITY ADJUSTABLE SERIES  
MJ2-1513 MJ2-1514 MJ2-1543 MJ2-1544  
MJ2-1701 MJ2-1702 MJ2-1703 MJ2-1704  
MJ2-1711 MJ2-1712 MJ2-1713 MJ2-1714



● MJ2-1315

DIMENSIONS (mm)	OPERATING CHARACTERISTICS	DIMENSIONS (mm)	OPERATING CHARACTERISTICS																																								
<p>● MJ2-1300</p>	<table border="1"> <tr> <td></td> <td>MJ2-1300</td> <td>MJ2-1300L</td> </tr> <tr> <td>OF MAX</td> <td>250-450g</td> <td>200g</td> </tr> <tr> <td>RF MIN</td> <td>114g</td> <td></td> </tr> <tr> <td>PT MAX</td> <td>0,5mm</td> <td></td> </tr> <tr> <td>OT MIN</td> <td>0,13mm</td> <td></td> </tr> <tr> <td>DT MAX</td> <td>0,05mm</td> <td></td> </tr> <tr> <td>FP MAX</td> <td></td> <td></td> </tr> <tr> <td>OP</td> <td>15,9±0,4mm</td> <td></td> </tr> </table>		MJ2-1300	MJ2-1300L	OF MAX	250-450g	200g	RF MIN	114g		PT MAX	0,5mm		OT MIN	0,13mm		DT MAX	0,05mm		FP MAX			OP	15,9±0,4mm		<p>● MJ2-1315</p>	<table border="1"> <tr> <td></td> <td>MJ2-1315</td> </tr> <tr> <td>OF MAX</td> <td>540g</td> </tr> <tr> <td>RF MIN</td> <td>114g</td> </tr> <tr> <td>PT MAX</td> <td>1,9mm</td> </tr> <tr> <td>OT MIN</td> <td>1,6mm</td> </tr> <tr> <td>DT MAX</td> <td>0,06mm</td> </tr> <tr> <td>FP MAX</td> <td></td> </tr> <tr> <td>OP</td> <td>28,2±0,5mm</td> </tr> </table>		MJ2-1315	OF MAX	540g	RF MIN	114g	PT MAX	1,9mm	OT MIN	1,6mm	DT MAX	0,06mm	FP MAX		OP	28,2±0,5mm
	MJ2-1300	MJ2-1300L																																									
OF MAX	250-450g	200g																																									
RF MIN	114g																																										
PT MAX	0,5mm																																										
OT MIN	0,13mm																																										
DT MAX	0,05mm																																										
FP MAX																																											
OP	15,9±0,4mm																																										
	MJ2-1315																																										
OF MAX	540g																																										
RF MIN	114g																																										
PT MAX	1,9mm																																										
OT MIN	1,6mm																																										
DT MAX	0,06mm																																										
FP MAX																																											
OP	28,2±0,5mm																																										
<p>● MJ2-1305</p>	<table border="1"> <tr> <td></td> <td>MJ2-1305</td> <td>MJ2-1305L</td> </tr> <tr> <td>OF MAX</td> <td>250-450g</td> <td>200g</td> </tr> <tr> <td>RF MIN</td> <td>114g</td> <td></td> </tr> <tr> <td>PT MAX</td> <td>0,5mm</td> <td></td> </tr> <tr> <td>OT MIN</td> <td>1,6mm</td> <td></td> </tr> <tr> <td>DT MAX</td> <td>0,05mm</td> <td></td> </tr> <tr> <td>FP MAX</td> <td></td> <td></td> </tr> <tr> <td>OP</td> <td>28,2±0,5mm</td> <td></td> </tr> </table>		MJ2-1305	MJ2-1305L	OF MAX	250-450g	200g	RF MIN	114g		PT MAX	0,5mm		OT MIN	1,6mm		DT MAX	0,05mm		FP MAX			OP	28,2±0,5mm		<p>● MJ2-1317</p>	<table border="1"> <tr> <td></td> <td>MJ2-1317</td> </tr> <tr> <td>OF MAX</td> <td>540g</td> </tr> <tr> <td>RF MIN</td> <td>114g</td> </tr> <tr> <td>PT MAX</td> <td>2,4mm</td> </tr> <tr> <td>OT MIN</td> <td>3,5mm</td> </tr> <tr> <td>DT MAX</td> <td>0,06mm</td> </tr> <tr> <td>FP MAX</td> <td></td> </tr> <tr> <td>OP</td> <td>38,1±1,2mm</td> </tr> </table>		MJ2-1317	OF MAX	540g	RF MIN	114g	PT MAX	2,4mm	OT MIN	3,5mm	DT MAX	0,06mm	FP MAX		OP	38,1±1,2mm
	MJ2-1305	MJ2-1305L																																									
OF MAX	250-450g	200g																																									
RF MIN	114g																																										
PT MAX	0,5mm																																										
OT MIN	1,6mm																																										
DT MAX	0,05mm																																										
FP MAX																																											
OP	28,2±0,5mm																																										
	MJ2-1317																																										
OF MAX	540g																																										
RF MIN	114g																																										
PT MAX	2,4mm																																										
OT MIN	3,5mm																																										
DT MAX	0,06mm																																										
FP MAX																																											
OP	38,1±1,2mm																																										
<p>● MJ2-1306</p>	<table border="1"> <tr> <td></td> <td>MJ2-1306</td> <td>MJ2-1306L</td> </tr> <tr> <td>OF MAX</td> <td>250-450g</td> <td>200g</td> </tr> <tr> <td>RF MIN</td> <td>114g</td> <td></td> </tr> <tr> <td>PT MAX</td> <td>0,5mm</td> <td></td> </tr> <tr> <td>OT MIN</td> <td>1,6mm</td> <td></td> </tr> <tr> <td>DT MAX</td> <td>0,05mm</td> <td></td> </tr> <tr> <td>FP MAX</td> <td></td> <td></td> </tr> <tr> <td>OP</td> <td>21,5±0,5mm</td> <td></td> </tr> </table>		MJ2-1306	MJ2-1306L	OF MAX	250-450g	200g	RF MIN	114g		PT MAX	0,5mm		OT MIN	1,6mm		DT MAX	0,05mm		FP MAX			OP	21,5±0,5mm		<p>● MJ2-1513</p>	<table border="1"> <tr> <td></td> <td>MJ2-1513</td> </tr> <tr> <td>OF MAX</td> <td>540g</td> </tr> <tr> <td>RF MIN</td> <td>50g</td> </tr> <tr> <td>PT MAX</td> <td>2,7mm</td> </tr> <tr> <td>OT MIN</td> <td>2,4mm</td> </tr> <tr> <td>DT MAX</td> <td>0,8mm</td> </tr> <tr> <td>FP MAX</td> <td>43,6mm</td> </tr> <tr> <td>OP</td> <td>41,3±0,8mm</td> </tr> </table>		MJ2-1513	OF MAX	540g	RF MIN	50g	PT MAX	2,7mm	OT MIN	2,4mm	DT MAX	0,8mm	FP MAX	43,6mm	OP	41,3±0,8mm
	MJ2-1306	MJ2-1306L																																									
OF MAX	250-450g	200g																																									
RF MIN	114g																																										
PT MAX	0,5mm																																										
OT MIN	1,6mm																																										
DT MAX	0,05mm																																										
FP MAX																																											
OP	21,5±0,5mm																																										
	MJ2-1513																																										
OF MAX	540g																																										
RF MIN	50g																																										
PT MAX	2,7mm																																										
OT MIN	2,4mm																																										
DT MAX	0,8mm																																										
FP MAX	43,6mm																																										
OP	41,3±0,8mm																																										
<p>● MJ2-1307</p>	<table border="1"> <tr> <td></td> <td>MJ2-1307</td> <td>MJ2-1307L</td> </tr> <tr> <td>OF MAX</td> <td>250-450g</td> <td>200g</td> </tr> <tr> <td>RF MIN</td> <td>114g</td> <td></td> </tr> <tr> <td>PT MAX</td> <td>0,5mm</td> <td></td> </tr> <tr> <td>OT MIN</td> <td>5,5mm</td> <td></td> </tr> <tr> <td>DT MAX</td> <td>0,05mm</td> <td></td> </tr> <tr> <td>FP MAX</td> <td></td> <td></td> </tr> <tr> <td>OP</td> <td>38,1±0,8mm</td> <td></td> </tr> </table>		MJ2-1307	MJ2-1307L	OF MAX	250-450g	200g	RF MIN	114g		PT MAX	0,5mm		OT MIN	5,5mm		DT MAX	0,05mm		FP MAX			OP	38,1±0,8mm		<p>● MJ2-1514</p>	<table border="1"> <tr> <td></td> <td>MJ2-1514</td> </tr> <tr> <td>OF MAX</td> <td>150g</td> </tr> <tr> <td>RF MIN</td> <td>25g</td> </tr> <tr> <td>PT MAX</td> <td>6,4mm</td> </tr> <tr> <td>OT MIN</td> <td>4,0mm</td> </tr> <tr> <td>DT MAX</td> <td>1,6mm</td> </tr> <tr> <td>FP MAX</td> <td>47,2mm</td> </tr> <tr> <td>OP</td> <td>41,3±0,8mm</td> </tr> </table>		MJ2-1514	OF MAX	150g	RF MIN	25g	PT MAX	6,4mm	OT MIN	4,0mm	DT MAX	1,6mm	FP MAX	47,2mm	OP	41,3±0,8mm
	MJ2-1307	MJ2-1307L																																									
OF MAX	250-450g	200g																																									
RF MIN	114g																																										
PT MAX	0,5mm																																										
OT MIN	5,5mm																																										
DT MAX	0,05mm																																										
FP MAX																																											
OP	38,1±0,8mm																																										
	MJ2-1514																																										
OF MAX	150g																																										
RF MIN	25g																																										
PT MAX	6,4mm																																										
OT MIN	4,0mm																																										
DT MAX	1,6mm																																										
FP MAX	47,2mm																																										
OP	41,3±0,8mm																																										
<p>● MJ2-1308</p>	<table border="1"> <tr> <td></td> <td>MJ2-1308</td> <td>MJ2-1308L</td> </tr> <tr> <td>OF MAX</td> <td>250-450g</td> <td>200g</td> </tr> <tr> <td>RF MIN</td> <td>114g</td> <td></td> </tr> <tr> <td>PT MAX</td> <td>0,5mm</td> <td></td> </tr> <tr> <td>OT MIN</td> <td>3,58mm</td> <td></td> </tr> <tr> <td>DT MAX</td> <td>0,05mm</td> <td></td> </tr> <tr> <td>FP MAX</td> <td></td> <td></td> </tr> <tr> <td>OP</td> <td>49,7±1,2mm</td> <td></td> </tr> </table>		MJ2-1308	MJ2-1308L	OF MAX	250-450g	200g	RF MIN	114g		PT MAX	0,5mm		OT MIN	3,58mm		DT MAX	0,05mm		FP MAX			OP	49,7±1,2mm		<p>● MJ2-1515</p>	<table border="1"> <tr> <td></td> <td>MJ2-1515</td> </tr> <tr> <td>OF MAX</td> <td>540g</td> </tr> <tr> <td>RF MIN</td> <td>114g</td> </tr> <tr> <td>PT MAX</td> <td>2,3mm</td> </tr> <tr> <td>OT MIN</td> <td>1,6mm</td> </tr> <tr> <td>DT MAX</td> <td>0,06mm</td> </tr> <tr> <td>FP MAX</td> <td></td> </tr> <tr> <td>OP</td> <td>28,2±0,5mm</td> </tr> </table>		MJ2-1515	OF MAX	540g	RF MIN	114g	PT MAX	2,3mm	OT MIN	1,6mm	DT MAX	0,06mm	FP MAX		OP	28,2±0,5mm
	MJ2-1308	MJ2-1308L																																									
OF MAX	250-450g	200g																																									
RF MIN	114g																																										
PT MAX	0,5mm																																										
OT MIN	3,58mm																																										
DT MAX	0,05mm																																										
FP MAX																																											
OP	49,7±1,2mm																																										
	MJ2-1515																																										
OF MAX	540g																																										
RF MIN	114g																																										
PT MAX	2,3mm																																										
OT MIN	1,6mm																																										
DT MAX	0,06mm																																										
FP MAX																																											
OP	28,2±0,5mm																																										



## ▶ MJ2 SERIES MICRO SWITCHES

### ◆ ORDER GUIDE

● Plastic body (Standard type): 塑膠外殼 (標準型)

MJ2-1280	MJ2-1300	MJ2-1305	MJ2-1306	MJ2-1307	MJ2-1308	MJ2-1308R	MJ2-1543	MJ2-1544
MJ2-1578	MJ2-1701	MJ2-1702	MJ2-1703	MJ2-1704	MJ2-1315	MJ2-1317	MJ2-1513	MJ2-1514
MJ2-1515	MJ2-1711	MJ2-1712	MJ2-1713	MJ2-1714	MJ2-CB2	MJ2-1703-F (metal roller)		
MJ2-1704-F (metal roller)								

● Phenolic body (Custom made): 電木外殼 (訂製品)

MJ2-1280P	MJ2-1300P	MJ2-1305P	MJ2-1306P	MJ2-1307P	MJ2-1308P	MJ2-1308RP	MJ2-1543P	MJ2-1544P
MJ2-1578P	MJ2-1701P	MJ2-1702P	MJ2-1703P	MJ2-1704P	MJ2-1315P	MJ2-1317P	MJ2-1513P	MJ2-1514P
MJ2-1515P	MJ2-1711P	MJ2-1712P	MJ2-1713P	MJ2-1714P	MJ2-1703P-F	MJ2-1704P-F		

● Plastic body, Light force (Custom made): 塑膠殼, 輕型 (訂製品)

MJ2-1280L	MJ2-1300L	MJ2-1305L	MJ2-1306L	MJ2-1307L	MJ2-1308L	MJ2-1308RL	MJ2-1543L	MJ2-1544L
MJ2-1578L	MJ2-1701L	MJ2-1702L	MJ2-1703L	MJ2-1704L				

● Phenolic body, Light force (Custom made): 電木殼, 輕型 (訂製品)

MJ2-1280PL	MJ2-1300PL	MJ2-1305PL	MJ2-1306PL	MJ2-1307PL	MJ2-1308PL	MJ2-1308PL	MJ2-1543PL	MJ2-1544PL
MJ2-1578PL	MJ2-1701PL	MJ2-1702PL	MJ2-1703PL	MJ2-1704PL				

● Plastic (POM) Head, roller (Custom made): 塑膠頭部, 滾輪 (訂製品)

MJ2-1306-P	MJ2-1307-P	MJ2-1308-P	MJ2-1308R-P
------------	------------	------------	-------------



● MJ2-1543



● MJ2-1704

● MJ2-1578

● MJ2-1712

● MJ2-1711

● MJ2-1702

● MJ2-1280

● MJ2-1714

● MJ2-1713

● MJ2-1701

● MJ2-1703-F

● MJ2-1703

● MJ2-CB2

● MJ2-1704-F

● MJ2-1544

DIMENSIONS (mm)	OPERATING CHARACTERISTICS	DIMENSIONS (mm)	OPERATING CHARACTERISTICS																																														
	<table border="1"> <tr><td>MJ2-1543</td><td>MJ2-1543L</td></tr> <tr><td>OF MAX</td><td>170g</td><td>120g</td></tr> <tr><td>RF MIN</td><td>42g</td><td></td></tr> <tr><td>PT MAX</td><td>2,7mm</td><td></td></tr> <tr><td>OT MIN</td><td>2,4mm</td><td></td></tr> <tr><td>DT MAX</td><td>0,51mm</td><td></td></tr> <tr><td>FP MAX</td><td>43,6mm</td><td></td></tr> <tr><td>OP</td><td>41,3±0,8mm</td><td></td></tr> </table>	MJ2-1543	MJ2-1543L	OF MAX	170g	120g	RF MIN	42g		PT MAX	2,7mm		OT MIN	2,4mm		DT MAX	0,51mm		FP MAX	43,6mm		OP	41,3±0,8mm			<table border="1"> <tr><td>MJ2-1704</td><td>MJ2-1704L</td></tr> <tr><td>OF MAX</td><td>160g</td><td>110g</td></tr> <tr><td>RF MIN</td><td>42g</td><td></td></tr> <tr><td>PT MAX</td><td>3,5mm</td><td></td></tr> <tr><td>OT MIN</td><td>2,4mm</td><td></td></tr> <tr><td>DT MAX</td><td>0,5mm</td><td></td></tr> <tr><td>FP MAX</td><td>34,5mm</td><td></td></tr> <tr><td>OP</td><td>30,2±0,8mm</td><td></td></tr> </table>	MJ2-1704	MJ2-1704L	OF MAX	160g	110g	RF MIN	42g		PT MAX	3,5mm		OT MIN	2,4mm		DT MAX	0,5mm		FP MAX	34,5mm		OP	30,2±0,8mm	
MJ2-1543	MJ2-1543L																																																
OF MAX	170g	120g																																															
RF MIN	42g																																																
PT MAX	2,7mm																																																
OT MIN	2,4mm																																																
DT MAX	0,51mm																																																
FP MAX	43,6mm																																																
OP	41,3±0,8mm																																																
MJ2-1704	MJ2-1704L																																																
OF MAX	160g	110g																																															
RF MIN	42g																																																
PT MAX	3,5mm																																																
OT MIN	2,4mm																																																
DT MAX	0,5mm																																																
FP MAX	34,5mm																																																
OP	30,2±0,8mm																																																
	<table border="1"> <tr><td>MJ2-1544</td><td>MJ2-1544L</td></tr> <tr><td>OF MAX</td><td>110g</td><td>70g</td></tr> <tr><td>RF MIN</td><td>25g</td><td></td></tr> <tr><td>PT MAX</td><td>6,4mm</td><td></td></tr> <tr><td>OT MIN</td><td>4,0mm</td><td></td></tr> <tr><td>DT MAX</td><td>1,6mm</td><td></td></tr> <tr><td>FP MAX</td><td>47,2mm</td><td></td></tr> <tr><td>OP</td><td>41,3±0,8mm</td><td></td></tr> </table>	MJ2-1544	MJ2-1544L	OF MAX	110g	70g	RF MIN	25g		PT MAX	6,4mm		OT MIN	4,0mm		DT MAX	1,6mm		FP MAX	47,2mm		OP	41,3±0,8mm			<table border="1"> <tr><td>MJ2-1711</td><td></td></tr> <tr><td>OF MAX</td><td>100g</td></tr> <tr><td>RF MIN</td><td>14g</td></tr> <tr><td>PT MAX</td><td>10mm</td></tr> <tr><td>OT MIN</td><td>5,8mm</td></tr> <tr><td>DT MAX</td><td>2,0mm</td></tr> <tr><td>FP MAX</td><td>28,2mm</td></tr> <tr><td>OP</td><td>19±0,8mm</td></tr> </table>	MJ2-1711		OF MAX	100g	RF MIN	14g	PT MAX	10mm	OT MIN	5,8mm	DT MAX	2,0mm	FP MAX	28,2mm	OP	19±0,8mm							
MJ2-1544	MJ2-1544L																																																
OF MAX	110g	70g																																															
RF MIN	25g																																																
PT MAX	6,4mm																																																
OT MIN	4,0mm																																																
DT MAX	1,6mm																																																
FP MAX	47,2mm																																																
OP	41,3±0,8mm																																																
MJ2-1711																																																	
OF MAX	100g																																																
RF MIN	14g																																																
PT MAX	10mm																																																
OT MIN	5,8mm																																																
DT MAX	2,0mm																																																
FP MAX	28,2mm																																																
OP	19±0,8mm																																																
	<table border="1"> <tr><td>MJ2-1578</td><td>MJ2-1578L</td></tr> <tr><td>OF MAX</td><td>10g</td><td>5g</td></tr> <tr><td>RF MIN</td><td>5g</td><td></td></tr> <tr><td>PT MAX</td><td>10mm</td><td></td></tr> <tr><td>OT MIN</td><td>6mm</td><td></td></tr> <tr><td>DT MAX</td><td>3mm</td><td></td></tr> <tr><td>FP MAX</td><td></td><td></td></tr> <tr><td>OP</td><td>20±1mm</td><td></td></tr> </table>	MJ2-1578	MJ2-1578L	OF MAX	10g	5g	RF MIN	5g		PT MAX	10mm		OT MIN	6mm		DT MAX	3mm		FP MAX			OP	20±1mm			<table border="1"> <tr><td>MJ2-1712</td><td></td></tr> <tr><td>OF MAX</td><td>150g</td></tr> <tr><td>RF MIN</td><td>23g</td></tr> <tr><td>PT MAX</td><td>7,9mm</td></tr> <tr><td>OT MIN</td><td>3,0mm</td></tr> <tr><td>DT MAX</td><td>1,5mm</td></tr> <tr><td>FP MAX</td><td>26,2mm</td></tr> <tr><td>OP</td><td>19±0,8mm</td></tr> </table>	MJ2-1712		OF MAX	150g	RF MIN	23g	PT MAX	7,9mm	OT MIN	3,0mm	DT MAX	1,5mm	FP MAX	26,2mm	OP	19±0,8mm							
MJ2-1578	MJ2-1578L																																																
OF MAX	10g	5g																																															
RF MIN	5g																																																
PT MAX	10mm																																																
OT MIN	6mm																																																
DT MAX	3mm																																																
FP MAX																																																	
OP	20±1mm																																																
MJ2-1712																																																	
OF MAX	150g																																																
RF MIN	23g																																																
PT MAX	7,9mm																																																
OT MIN	3,0mm																																																
DT MAX	1,5mm																																																
FP MAX	26,2mm																																																
OP	19±0,8mm																																																
	<table border="1"> <tr><td>MJ2-1701</td><td>MJ2-1701L</td></tr> <tr><td>OF MAX</td><td>70g</td><td>40g</td></tr> <tr><td>RF MIN</td><td>14g</td><td></td></tr> <tr><td>PT MAX</td><td>10mm</td><td></td></tr> <tr><td>OT MIN</td><td>5,6mm</td><td></td></tr> <tr><td>DT MAX</td><td>1,27mm</td><td></td></tr> <tr><td>FP MAX</td><td>26,2mm</td><td></td></tr> <tr><td>OP</td><td>19±0,8mm</td><td></td></tr> </table>	MJ2-1701	MJ2-1701L	OF MAX	70g	40g	RF MIN	14g		PT MAX	10mm		OT MIN	5,6mm		DT MAX	1,27mm		FP MAX	26,2mm		OP	19±0,8mm			<table border="1"> <tr><td>MJ2-1713</td><td></td></tr> <tr><td>OF MAX</td><td>130g</td></tr> <tr><td>RF MIN</td><td>21g</td></tr> <tr><td>PT MAX</td><td>7,1mm</td></tr> <tr><td>OT MIN</td><td>4,0mm</td></tr> <tr><td>DT MAX</td><td>1,6mm</td></tr> <tr><td>FP MAX</td><td>36,5mm</td></tr> <tr><td>OP</td><td>30,2±0,8mm</td></tr> </table>	MJ2-1713		OF MAX	130g	RF MIN	21g	PT MAX	7,1mm	OT MIN	4,0mm	DT MAX	1,6mm	FP MAX	36,5mm	OP	30,2±0,8mm							
MJ2-1701	MJ2-1701L																																																
OF MAX	70g	40g																																															
RF MIN	14g																																																
PT MAX	10mm																																																
OT MIN	5,6mm																																																
DT MAX	1,27mm																																																
FP MAX	26,2mm																																																
OP	19±0,8mm																																																
MJ2-1713																																																	
OF MAX	130g																																																
RF MIN	21g																																																
PT MAX	7,1mm																																																
OT MIN	4,0mm																																																
DT MAX	1,6mm																																																
FP MAX	36,5mm																																																
OP	30,2±0,8mm																																																
	<table border="1"> <tr><td>MJ2-1702</td><td>MJ2-1702L</td></tr> <tr><td>OF MAX</td><td>120g</td><td>80g</td></tr> <tr><td>RF MIN</td><td>20g</td><td></td></tr> <tr><td>PT MAX</td><td>7,9mm</td><td></td></tr> <tr><td>OT MIN</td><td>3,0mm</td><td></td></tr> <tr><td>DT MAX</td><td>1,0mm</td><td></td></tr> <tr><td>FP MAX</td><td>26,2mm</td><td></td></tr> <tr><td>OP</td><td>19±0,8mm</td><td></td></tr> </table>	MJ2-1702	MJ2-1702L	OF MAX	120g	80g	RF MIN	20g		PT MAX	7,9mm		OT MIN	3,0mm		DT MAX	1,0mm		FP MAX	26,2mm		OP	19±0,8mm			<table border="1"> <tr><td>MJ2-1714</td><td></td></tr> <tr><td>OF MAX</td><td>200g</td></tr> <tr><td>RF MIN</td><td>42g</td></tr> <tr><td>PT MAX</td><td>3,5mm</td></tr> <tr><td>OT MIN</td><td>2,4mm</td></tr> <tr><td>DT MAX</td><td>0,5mm</td></tr> <tr><td>FP MAX</td><td>34,5mm</td></tr> <tr><td>OP</td><td>30,2±0,8mm</td></tr> </table>	MJ2-1714		OF MAX	200g	RF MIN	42g	PT MAX	3,5mm	OT MIN	2,4mm	DT MAX	0,5mm	FP MAX	34,5mm	OP	30,2±0,8mm							
MJ2-1702	MJ2-1702L																																																
OF MAX	120g	80g																																															
RF MIN	20g																																																
PT MAX	7,9mm																																																
OT MIN	3,0mm																																																
DT MAX	1,0mm																																																
FP MAX	26,2mm																																																
OP	19±0,8mm																																																
MJ2-1714																																																	
OF MAX	200g																																																
RF MIN	42g																																																
PT MAX	3,5mm																																																
OT MIN	2,4mm																																																
DT MAX	0,5mm																																																
FP MAX	34,5mm																																																
OP	30,2±0,8mm																																																
	<table border="1"> <tr><td>MJ2-1703</td><td>MJ2-1703L</td></tr> <tr><td>OF MAX</td><td>100g</td><td>60g</td></tr> <tr><td>RF MIN</td><td>21g</td><td></td></tr> <tr><td>PT MAX</td><td>7,1mm</td><td></td></tr> <tr><td>OT MIN</td><td>4,0mm</td><td></td></tr> <tr><td>DT MAX</td><td>1,6mm</td><td></td></tr> <tr><td>FP MAX</td><td>36,5mm</td><td></td></tr> <tr><td>OP</td><td>30,2±0,8mm</td><td></td></tr> </table>	MJ2-1703	MJ2-1703L	OF MAX	100g	60g	RF MIN	21g		PT MAX	7,1mm		OT MIN	4,0mm		DT MAX	1,6mm		FP MAX	36,5mm		OP	30,2±0,8mm																										
MJ2-1703	MJ2-1703L																																																
OF MAX	100g	60g																																															
RF MIN	21g																																																
PT MAX	7,1mm																																																
OT MIN	4,0mm																																																
DT MAX	1,6mm																																																
FP MAX	36,5mm																																																
OP	30,2±0,8mm																																																

## ► MV SERIES MICRO SWITCHES

### ◆ FEATURES/功能

- Small dimensions suitable for OEM uses. / 適用於 "OEM"
- High temperature type, max 120°C. / 耐高溫型，最高可達120°C
- Wide choice of heads and actuators. / 具各種不同選擇
- Long life services. / 使用壽命長

### ◆ RATING/額定

• Standard type一般型

(UL recognized) UL認可

- 1) 5A 125 or 250VAC
- 2) 0.5A 125 or 250VDC

• High current type 大電流型

- 1) 20A 125 or 250VAC
- 2) 0.5A 125 or 250VDC

### ◆ REMARK

- MV-3003AL, MV-3003BL → Actuator length 55.5mm/柄長55.5mm

### ◆ ORDER GUIDE

• Standard type: 標準型

MV-3000A	MV-3001A	MV-3002A	MV-3003A	MV-3004A	MV-3005A
MV-3003AL	MV-3004S	MV-001			

• Light force type: 輕動作力型

MV-3000B	MV-3001B	MV-3002B	MV-3003B	MV-3004B	MV-3005B	MV-3003BL
----------	----------	----------	----------	----------	----------	-----------

• Plastic roller (Custom made): 塑膠滾輪 (訂製品)

MV-3004A-P	MV-3005A-P	MV-3004B-P	MV-3005B-P
------------	------------	------------	------------

• NC or NO type (Custom made): NC型、NO型 (訂製品)

MV-3000A-NC,NO	MV-3001A-NC,NO	MV-3002A-NC,NO	MV-3003A-NC,NO	MV-3004A-NC,NO	MV-3005A-NC,NO
MV-3000B-NC,NO	MV-3001B-NC,NO	MV-3002B-NC,NO	MV-3003B-NC,NO	MV-3004B-NC,NO	MV-3005B-NC,NO

• High temperature body 120°C (Custom made): 耐120° 高溫型 (訂製品)

MV-3100	MV-3101	MV-3102	MV-3103	MV-3104	MV-3105
---------	---------	---------	---------	---------	---------

• High current type (Custom made): 大電流型 (訂製品)

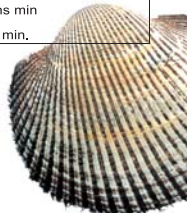
MV-3000A20	MV-3001A20	MV-3002A20	MV-3003A20	MV-3004A20	MV-3005A20
MV-3000B20	MV-3001B20	MV-3002B20	MV-3003B20	MV-3004B20	MV-3005B20



● MV-001

### ◆ CHARACTERISTICS/特性

Operating speed	0.01mm to 1m/sec
Operating frequency	Mechanically: 600 operations/min. Electrically: 60 operations/min.
Contact resistance	15m Ω max. (initial)
Insulation resistance	100M Ω min. (at 500 VDC)
Dielectric strength	1,000 VAC, 50/60 Hz for 1 minute between non-continuous terminals 2,000 VAC, 50/60 Hz for 1 minute between current-carrying part and ground
Vibration	Malfunction durability: 10 to 55Hz 1.5mm double amplitude
Shock	Mechanical durability: Approx. 1,000m/sec <sup>2</sup> (approx. 100G's) Malfunction durability: Approx. 300 m/sec <sup>2</sup> (approx. 30 G's)
Ambient operating temperature	General purpose type: -25°C to +80°C High temperature type: 25°C to 120°C
Humidity	General purpose type: 85% RH max Sealed type: 95% RH
Service life	Mechanically: 5,000,000 operations min Electrically: 600,000 operations min.



● MV-3002

● MV-3005-P

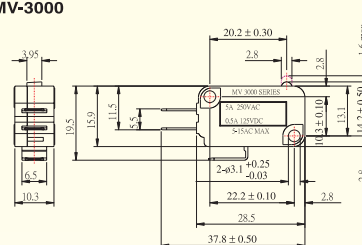
● MV-3004S

● MV-3001

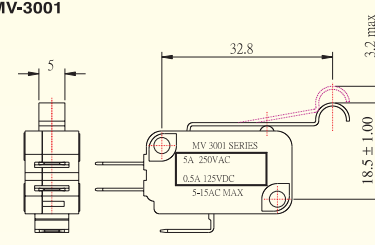
● MV-3000-NO

### DIMENSIONS (mm)

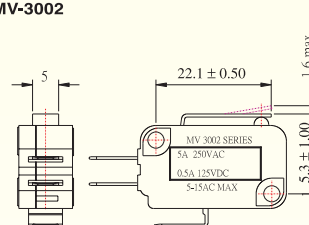
#### ● MV-3000



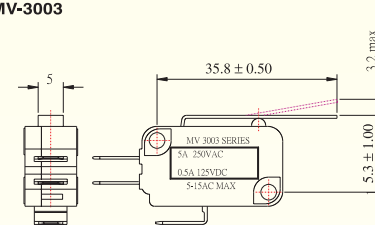
#### ● MV-3001



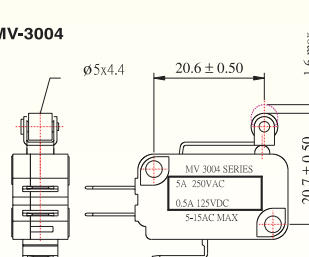
#### ● MV-3002



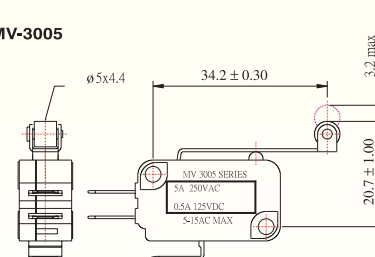
#### ● MV-3003



#### ● MV-3004



#### ● MV-3005



### OPERATING CHARACTERISTICS

MV-3000	A	B
OF MAX	250g	100g
RF MIN	50g	25g
PT MAX	1.2mm	
OT MIN	1.0mm	
DT MAX	0.4mm	
OP	14.70 ± 0.4	

MV-3001	A	B
OF MAX	140g	60g
RF MIN	20g	10g
PT MAX	4.0mm	
OT MIN	1.6mm	
DT MAX	1.5mm	
OP	18.70 ± 1.2	

MV-3002	A	B
OF MAX	250g	100g
RF MIN	50g	25g
PT MAX	1.6mm	
OT MIN	0.8mm	
DT MAX	0.6mm	
OP	15.20 ± 0.5	

MV-3003	A	B
OF MAX	140g	60g
RF MIN	20g	10g
PT MAX	4.0mm	
OT MIN	1.6mm	
DT MAX	1.5mm	
OP	15.20 ± 1.2	

MV-3004	A	B
OF MAX	280g	110g
RF MIN	50g	20g
PT MAX	1.6mm	
OT MIN	0.8mm	
DT MAX	0.6mm	
OP	20.70 ± 0.6	

MV-3005	A	B
OF MAX	140g	60g
RF MIN	20g	10g
PT MAX	4.0mm	
OT MIN	1.6mm	
DT MAX	1.5mm	
OP	20.70 ± 1.2	





## MN SERIES MINI ENCLOSED LIMIT SWITCHES

### FEATURES/功能

- Side mount switches. / 側邊固定式
- Momentary contacts. / 接點敏捷
- Wide choice of heads and actuators. / 具各種不同之頭及連桿
- Sealed actuators. / 密封式連桿
- Completely sealed structure. / 輔助式密封結構
- Plastic sealed construction. / 塑膠成型固定座
- Temperature range +5°F to +175°F (-15°C to +80°C). / 適用溫度



● MN-5100-P

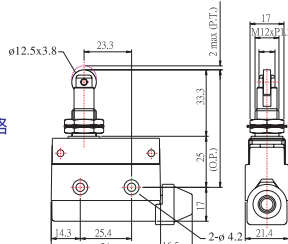
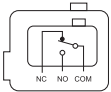
### CHARACTERISTICS/特性

Operating speed	0.01mm to 50cm/sec (at pin plunger)
Operating frequency	120 operations/min.
Contact resistance	25m Ω max. (initial)
Insulation resistance	100M Ω min. (at 500 VDC)
Dielectric strength	1,000 VAC, 50/60 Hz for 1 minute between non-continuous terminals 2,000 VAC, 50/60 Hz for 1 minute between current-carrying and non-current carrying parts and between each terminal and ground
Vibration	Malfunction durability: 10 to 55Hz 1.5mm double amplitude
Shock	Mechanical durability: 1,000m/s <sup>2</sup> (approx. 100G's) Malfunction durability: 300m/sec <sup>2</sup> (approx. 30G's)
Ambient operating temperature	Operating: -10°C to +80°C
Humidity	95% RH max. (at +20°C to 35°C)
Service life	Mechanically: 10,000,000 operations min. (at rated OT value) Electrically: 500,000 operations min.
Degree of protection	IEC: IP65

### RATING/額定

10A	250V AC
0.5A	125V DC

### CIRCUITRY/電氣回路



MN-5311 ROLLER PLUNGER

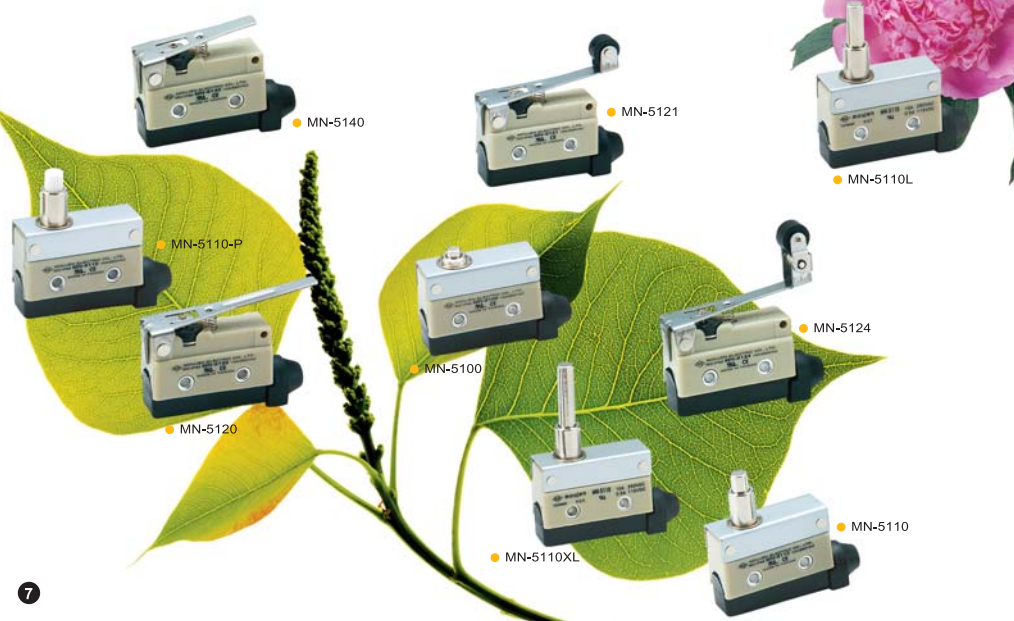
### ORDER GUIDE

- Standard type: 標準型

MN-5100	MN-5110	MN-5110L	MN-5110XL	MN-5120	MN-5121
MN-5124	MN-5140	MN-5141	MN-5144	MN-5161	MN-5166
MN-5169	MN-5310	MN-5311	MN-5312		

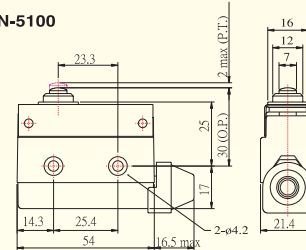
- Plastic head or roller type (custom made): 塑膠頭部或滾輪 (訂製品)

MN-5100-P	MN-5110-P	MN-5310-P	MN-5311-P	MN-5312-P
-----------	-----------	-----------	-----------	-----------

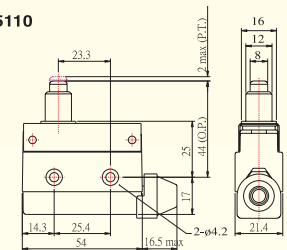


### DIMENSIONS (mm)

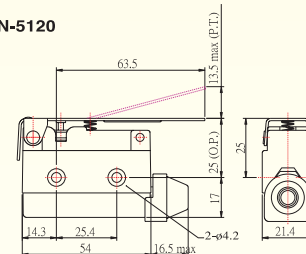
#### ● MN-5100



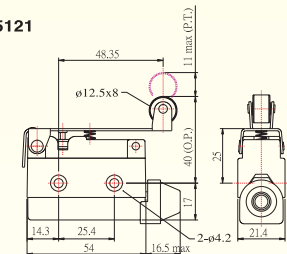
#### ● MN-5110



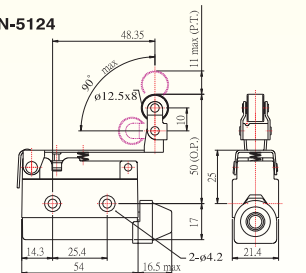
#### ● MN-5120



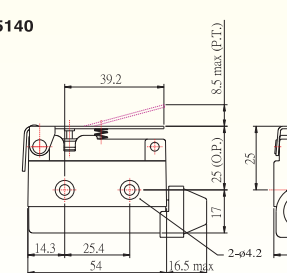
#### ● MN-5121



#### ● MN-5124



#### ● MN-5140



### OPERATING CHARACTERISTICS

<b>MN-5100</b>	
OF MAX	600g
RF MIN	100g
PT MAX	2.0mm
OT MIN	0.8mm
DT MAX	0.8mm
OP	30 ± 1.5mm

<b>MN-5110</b>	MN-5110	MN-5110L	MN-5110XL
OF MAX	600g	600g	600g
RF MIN	100g	100g	100g
PT MAX	2.0mm	2.0mm	2.0mm
OT MIN	5.0mm	5.0mm	5.0mm
DT MAX	0.8mm	0.8mm	0.8mm
OP	44 ± 1.5mm	60mm	70mm

<b>MN-5120</b>	
OF MAX	150g
RF MIN	40g
PT MAX	13.5mm
OT MIN	4.0mm
DT MAX	3.2mm
OP	25 ± 2.0mm

<b>MN-5121</b>	
OF MAX	180g
RF MIN	50g
PT MAX	11.0mm
OT MIN	3.0mm
DT MAX	2.4mm
OP	40 ± 1.9mm

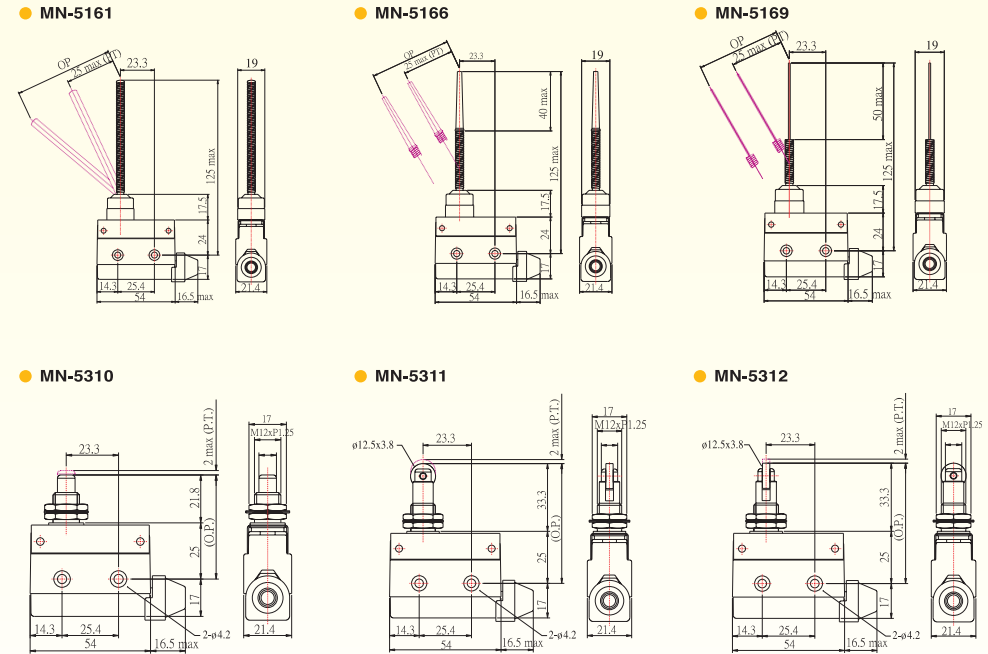
<b>MN-5124</b>	
OF MAX	200g
RF MIN	60g
PT MAX	11.0mm
OT MIN	3.0mm
DT MAX	2.4mm
OP	50 ± 1.9mm

<b>MN-5140</b>	
OF MAX	220g
RF MIN	60g
PT MAX	8.5mm
OT MIN	2.5mm
DT MAX	2.0mm
OP	25 ± 1.3mm

## ► MN SERIES MINI ENCLOSED LIMIT SWITCHES



### DIMENSIONS (mm)



### OPERATING CHARACTERISTICS

	MN-5161
OF MAX	120g
RF MIN	-
PT MAX	25mm
OT MIN	11mm
DT MAX	-

	MN-5166
OF MAX	120g
RF MIN	-
PT MAX	25mm
OT MIN	11mm
DT MAX	-

	MN-5169
OF MAX	120g
RF MIN	-
PT MAX	25mm
OT MIN	11mm
DT MAX	-

	MN-5310
OF MAX	600g
RF MIN	100g
PT MAX	2.0mm
OT MIN	6.0mm
DT MAX	0.8mm
OP	46.8 ± 1.5mm

	MN-5311
OF MAX	600g
RF MIN	100g
PT MAX	2.0mm
OT MIN	6.0mm
DT MAX	0.8mm
OP	58.3 ± 1.5mm

	MN-5312
OF MAX	600g
RF MIN	100g
PT MAX	2.0mm
OT MIN	6.0mm
DT MAX	0.8mm
OP	58.3 ± 1.5mm

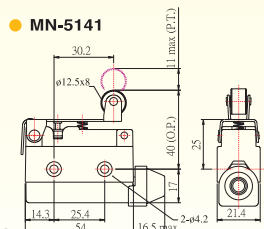
## ORDER GUIDE

### DIMENSIONS (mm)

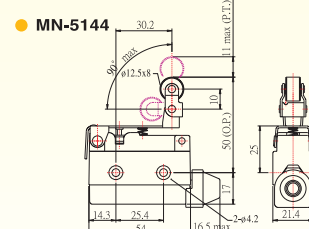
### OPERATING CHARACTERISTICS

### DIMENSIONS (mm)

### OPERATING CHARACTERISTICS



OF MAX	240g
RF MIN	80g
PT MAX	6.5mm
OT MIN	2.0mm
DT MAX	1.5mm
OP	40 ± 1.8mm



OF MAX	280g
RF MIN	100g
PT MAX	6.5mm
OT MIN	2.0mm
DT MAX	1.5mm
OP	50 ± 1.6mm



## MJ1 SERIES ENCLOSED LIMIT SWITCHES

### FEATURES/功能

- Side mount switches. / 側邊固定式
- Momentary contacts. / 接點敏感
- Level or plunger operation. / 衝壓或連桿式操作
- Regular or sealed operating heads. / 一般或密封式頭
- Completely sealed construction. / 輔助式密封結構
- 1/2" conduit entry, captive cover screws. / 接線頭使用帽式螺絲
- Dustproof, Oil-Tight, Water-Resistant. / 防塵、防油、防水
- Temperature range +15°F to +175°F (-10°C to +80°C). / 適用溫度



### CHARACTERISTICS/特性

Operating speed	0.01mm to 1m/sec
Operating frequency	Mechanically: 240 operations/min. Electrically: 20 operations/min.
Contact resistance	15m Ω max. (initial)
Insulation resistance	100M Ω min. (at 500 VDC)
Dielectric strength	1,000 VAC, 50/60 Hz for 1 minute between non-continuous terminals 2,000 VAC, 50/60 Hz for 1 minute between current-carrying part and ground
Vibration	Malfunction durability: 10 to 55Hz 1.5mm double amplitude
Shock	Mechanical durability: Approx. 1,000m/sec <sup>2</sup> (approx. 100G's) Malfunction durability: Approx. 300 m/sec <sup>2</sup> (approx. 30 G's)
Ambient operating temperature	Operating: -10°C to +80°C
Humidity	General purpose type: 85% RH max Sealed type: 95% RH
Service life	Mechanically: 20,000,000 operations min Electrically: 600,000 operations min.

MJ-1 side mount switches are offered with or without actuator seal boots. Both have a combination insulator seal cemented inside the bottom enclosure. Lead washers are used to seal the mounting holes on side mount switches.

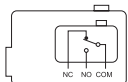
The elastomer boot on sealed actuator versions and cover seal on all switches protect the actuating mechanism and the internal basic switch from contaminations.

All side mount switches are in stalled with M4 screws. Removal of the bottom enclosure exposes the terminals for easy wiring.

### RATING/額定

- 15A 125, 250V
- 1/8HP 125V AC, 1/4HP 250V AC
- 1/2A 125V DC, 1/4A 250V DC

### CIRCUITRY/電氣回路



### ORDER GUIDE

MJ1-6101	MJ1-6102	MJ1-6102R	MJ1-6104	MJ1-6106	MJ1-6107
MJ1-6111	MJ1-6112	MJ1-6112R	MJ1-6114	MJ1-6117	



DIMENSIONS (mm)	OPERATING CHARACTERISTICS	DIMENSIONS (mm)	OPERATING CHARACTERISTICS																								
	<p>● MJ1-6101</p> <table border="1"> <tr><td>OF MAX</td><td>250g-450g</td></tr> <tr><td>RF MIN</td><td>114g</td></tr> <tr><td>PT MAX</td><td>0.8mm</td></tr> <tr><td>OT MIN</td><td>5.5mm</td></tr> <tr><td>DT MAX</td><td>0.05mm</td></tr> <tr><td>OP</td><td>40.2 ± 0.8</td></tr> </table>	OF MAX	250g-450g	RF MIN	114g	PT MAX	0.8mm	OT MIN	5.5mm	DT MAX	0.05mm	OP	40.2 ± 0.8		<p>● MJ1-6111</p> <table border="1"> <tr><td>OF MAX</td><td>800g</td></tr> <tr><td>RF MIN</td><td>240g</td></tr> <tr><td>PT MAX</td><td>2mm</td></tr> <tr><td>OT MIN</td><td>5mm</td></tr> <tr><td>DT MAX</td><td>0.1mm</td></tr> <tr><td>OP</td><td>50.5 ± 0.8</td></tr> </table>	OF MAX	800g	RF MIN	240g	PT MAX	2mm	OT MIN	5mm	DT MAX	0.1mm	OP	50.5 ± 0.8
OF MAX	250g-450g																										
RF MIN	114g																										
PT MAX	0.8mm																										
OT MIN	5.5mm																										
DT MAX	0.05mm																										
OP	40.2 ± 0.8																										
OF MAX	800g																										
RF MIN	240g																										
PT MAX	2mm																										
OT MIN	5mm																										
DT MAX	0.1mm																										
OP	50.5 ± 0.8																										
	<p>● MJ1-6102</p> <table border="1"> <tr><td>OF MAX</td><td>250g-450g</td></tr> <tr><td>RF MIN</td><td>114g</td></tr> <tr><td>PT MAX</td><td>0.8mm</td></tr> <tr><td>OT MIN</td><td>3.6mm</td></tr> <tr><td>DT MAX</td><td>0.05mm</td></tr> <tr><td>OP</td><td>50.7 ± 0.8</td></tr> </table>	OF MAX	250g-450g	RF MIN	114g	PT MAX	0.8mm	OT MIN	3.6mm	DT MAX	0.05mm	OP	50.7 ± 0.8		<p>● MJ1-6112</p> <table border="1"> <tr><td>OF MAX</td><td>500g</td></tr> <tr><td>RF MIN</td><td>100g</td></tr> <tr><td>PT MAX</td><td>2mm</td></tr> <tr><td>OT MIN</td><td>3.5mm</td></tr> <tr><td>DT MAX</td><td>0.12mm</td></tr> <tr><td>OP</td><td>49.7 ± 0.8</td></tr> </table>	OF MAX	500g	RF MIN	100g	PT MAX	2mm	OT MIN	3.5mm	DT MAX	0.12mm	OP	49.7 ± 0.8
OF MAX	250g-450g																										
RF MIN	114g																										
PT MAX	0.8mm																										
OT MIN	3.6mm																										
DT MAX	0.05mm																										
OP	50.7 ± 0.8																										
OF MAX	500g																										
RF MIN	100g																										
PT MAX	2mm																										
OT MIN	3.5mm																										
DT MAX	0.12mm																										
OP	49.7 ± 0.8																										
	<p>● MJ1-6102R</p> <table border="1"> <tr><td>OF MAX</td><td>250g-450g</td></tr> <tr><td>RF MIN</td><td>114g</td></tr> <tr><td>PT MAX</td><td>0.8mm</td></tr> <tr><td>OT MIN</td><td>3.6mm</td></tr> <tr><td>DT MAX</td><td>0.05mm</td></tr> <tr><td>OP</td><td>50.7 ± 0.8</td></tr> </table>	OF MAX	250g-450g	RF MIN	114g	PT MAX	0.8mm	OT MIN	3.6mm	DT MAX	0.05mm	OP	50.7 ± 0.8		<p>● MJ1-6112R</p> <table border="1"> <tr><td>OF MAX</td><td>500g</td></tr> <tr><td>RF MIN</td><td>100g</td></tr> <tr><td>PT MAX</td><td>2mm</td></tr> <tr><td>OT MIN</td><td>3.5mm</td></tr> <tr><td>DT MAX</td><td>0.12mm</td></tr> <tr><td>OP</td><td>49.7 ± 0.8</td></tr> </table>	OF MAX	500g	RF MIN	100g	PT MAX	2mm	OT MIN	3.5mm	DT MAX	0.12mm	OP	49.7 ± 0.8
OF MAX	250g-450g																										
RF MIN	114g																										
PT MAX	0.8mm																										
OT MIN	3.6mm																										
DT MAX	0.05mm																										
OP	50.7 ± 0.8																										
OF MAX	500g																										
RF MIN	100g																										
PT MAX	2mm																										
OT MIN	3.5mm																										
DT MAX	0.12mm																										
OP	49.7 ± 0.8																										
	<p>● MJ1-6104</p> <table border="1"> <tr><td>OF MAX</td><td>570g</td></tr> <tr><td>RF MIN</td><td>170g</td></tr> <tr><td>PT MAX</td><td>4mm</td></tr> <tr><td>OT MIN</td><td>6mm</td></tr> <tr><td>DT MAX</td><td>0.4mm</td></tr> </table>	OF MAX	570g	RF MIN	170g	PT MAX	4mm	OT MIN	6mm	DT MAX	0.4mm		<p>● MJ1-6114</p> <table border="1"> <tr><td>OF MAX</td><td>640g</td></tr> <tr><td>RF MIN</td><td>230g</td></tr> <tr><td>PT MAX</td><td>5mm</td></tr> <tr><td>OT MIN</td><td>6mm</td></tr> <tr><td>DT MAX</td><td>0.4mm</td></tr> </table>	OF MAX	640g	RF MIN	230g	PT MAX	5mm	OT MIN	6mm	DT MAX	0.4mm				
OF MAX	570g																										
RF MIN	170g																										
PT MAX	4mm																										
OT MIN	6mm																										
DT MAX	0.4mm																										
OF MAX	640g																										
RF MIN	230g																										
PT MAX	5mm																										
OT MIN	6mm																										
DT MAX	0.4mm																										
	<p>● MJ1-6107</p> <table border="1"> <tr><td>OF MAX</td><td>600g</td></tr> <tr><td>RF MIN</td><td>170g</td></tr> <tr><td>PT MAX</td><td>5mm</td></tr> <tr><td>OT MIN</td><td>5.5mm</td></tr> <tr><td>DT MAX</td><td>0.72mm</td></tr> </table>	OF MAX	600g	RF MIN	170g	PT MAX	5mm	OT MIN	5.5mm	DT MAX	0.72mm		<p>● MJ1-6117</p> <table border="1"> <tr><td>OF MAX</td><td>640g</td></tr> <tr><td>RF MIN</td><td>230g</td></tr> <tr><td>PT MAX</td><td>5mm</td></tr> <tr><td>OT MIN</td><td>6mm</td></tr> <tr><td>DT MAX</td><td>0.72mm</td></tr> </table>	OF MAX	640g	RF MIN	230g	PT MAX	5mm	OT MIN	6mm	DT MAX	0.72mm				
OF MAX	600g																										
RF MIN	170g																										
PT MAX	5mm																										
OT MIN	5.5mm																										
DT MAX	0.72mm																										
OF MAX	640g																										
RF MIN	230g																										
PT MAX	5mm																										
OT MIN	6mm																										
DT MAX	0.72mm																										

## MJ SERIES PRECISION OIL-TIGHT LIMIT SWITCHES

### FEATURES/功能

- Wide choice of heads and actuators. / 可配合各種不同之連桿及頭
- Variety of operating characteristics. / 具多種使用特性曲線
- Captive cover screws. / 接線頭具帽式覆蓋螺絲
- Dustproof, Oil-Tight, Water-Resistant. / 防塵、防油、防水
- Stainless steel essentials. / 不鏽鋼主零件
- Standard size & dimensions, 1/2" conduit entry. / 規格及尺寸標準化
- Temperature range +15°F to +175°F (-10°C to +80°C). / 適用溫度

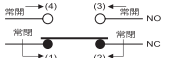


All oil tight limit switches are 2 circuit limit switches, 1 NO and 1 NC circuits. The 1 NO and 1 NC contact arrangement is double break isolated. 所有密封式限制開關都是雙迴路限制開關, 1NO (常開) 與 1NC (常閉) 迴路, 各迴路接點俱為兩段式絕緣。

### RATING/額定

10A	125 or 300V AC(resistive)
0.8A	125 V DC (resistive)
0.4A	250 V DC
1/2HP	125 V AC
1HP	250 V AC

### CIRCUITRY/電氣回路



### CHARACTERISTICS/特性

Operating speed	1mm to 2m/sec
Operating frequency	Mechanically: 120 operations/min. Electrically: 30 operations/min.
Contact resistance	15m Ω max. (initial)
Insulation resistance	100M Ω min. (at 500 VDC)
Dielectric strength	1,000 VAC, 50/60 Hz for 1 minute between non-continuous terminals 2,200 VAC, 50/60 Hz for 1 minute between each terminal and non-current-carrying metal part and between each terminal and ground
Vibration	Malfunction durability: 10 to 55Hz 1.5mm double amplitude
Shock	Mechanical durability: Approx. 1,000m/sec <sup>2</sup> (approx. 100G's) Malfunction durability: Approx. 300m/sec <sup>2</sup> (approx. 30 G's)
Ambient operating temperature	Operating: -10°C to +80°C
Humidity	95% RH max
Service life	Mechanically: 15,000,000 operations min Electrically: 500,000 operations min.
Degree of protection	IEC 529 class IP67

### ORDER GUIDE

• Standard type ~ 2 Crews: 標準型~兩個螺絲孔蓋

MJ-7101	MJ-7102	MJ-7102R	MJ-7103	MJ-7104	MJ-7106	MJ-7126	MJ-3241	MJ-3242	MJ-3243
MJ-3244	MJ-7107	MJ-7107L	MJ-7108	MJ-7204	MJ-7207	MJ-7207L	MJ-7208	MJ-7000	

• "O" type ~ 3Crews (Custom made): 三個螺絲孔蓋 (訂製品)

MJ-7101O	MJ-7102O	MJ-7102RO	MJ-7103O	MJ-7104O	MJ-7106O	MJ-7126O	MJ-3241O	MJ-3242O	MJ-3243O
MJ-3243O	MJ-3244O	MJ-7107O	MJ-7107LO	MJ-7108O	MJ-7204O	MJ-7207O	MJ-7207LO	MJ-7208O	

• Plastic roller type (Custom made): 塑膠滾輪 (訂製品)

MJ-7104-P	MJ-7204-P	MJ-7108-P	MJ-7208-P
-----------	-----------	-----------	-----------

• Ø50mm rubber's roller type (Custom made): 50mm橡膠滾輪 (訂製品)

MJ-7104-26	MJ-7204-26	MJ-7108-26	MJ-7208-26
------------	------------	------------	------------

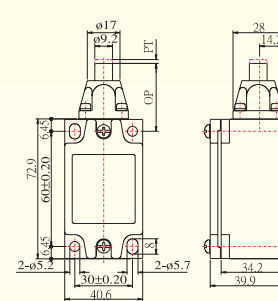
• Metal roller type (Custom made): 金屬滾輪 (訂製品)

MJ-3241-M	MJ-3242-M	MJ-3243-M	MJ-3244-M
-----------	-----------	-----------	-----------

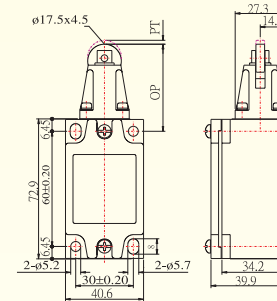


### DIMENSIONS (mm)

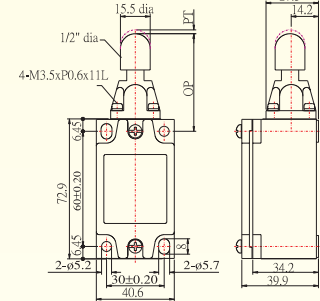
#### MJ-7101



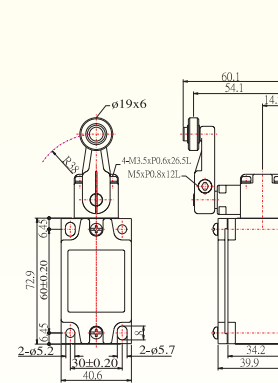
#### MJ-7102



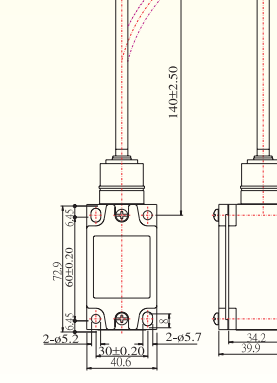
#### MJ-7103



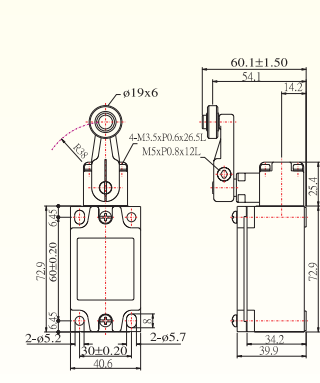
#### MJ-7104



#### MJ-7106



#### MJ-7204



### OPERATING CHARACTERISTICS

	MJ-7101
OF MAX	2800g —6 lbs.
RF MIN	900g —2 lbs. Max.
PT MAX	2mm —.070 in.
OT MIN	5.5mm —.200 in. Max.
DT MAX	1.0 mm —.040 in.
OP	34 ± 0.8

	MJ-7102
OF MAX	2800g —6 lbs.
RF MIN	900g —2 lbs. Max.
PT MAX	2mm —.070 in.
OT MIN	5.5mm —.200 in. Max.
DT MAX	1.0 mm —.040 in.
OP	44 ± 0.8

	MJ-7103
OF MAX	2800g —6 lbs.
RF MIN	900g —2 lbs. Max.
PT MAX	2mm —.070 in.
OT MIN	4mm —.157 in. Max.
DT MAX	1.0 mm —.040 in.
OP	44.5 ± 0.8

	MJ-7104
OF MAX	1400g —.3 in. lbs.
RF MIN	227g —1/2 lb.
PT MAX	15° to 20°
OT MIN	Min. 25°
DT MAX	Max. 12°
TF:	Max 2720g-4 in lbs.
TT:	Min. 43°

	MJ-7106
OF MAX	150g —5 in. oz.
RF MIN	-
PT MAX	30°
OT MIN	
DT MAX	

	MJ-7204
OF MAX	900g —2 in. lbs.
RF MIN	50g —2 in oz.
PT MAX	25° to 30°
OT MIN	60°
DT MAX	16°
TT:	90° + 10°



## MJ SERIES PRECISION OIL-TIGHT LIMIT SWITCHES

### OVERTRAVEL TYPE

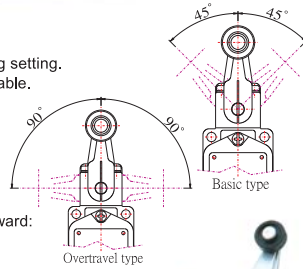
The Overtravel Type is a limit switch which is provided with a greater OT to facilitate dog setting. Since this type is identical to the Basic Type in dimension, both types are interchangeable. The Overtravel Type is classified into two versions - 71 series and - 72 series.

#### -71 SERIES

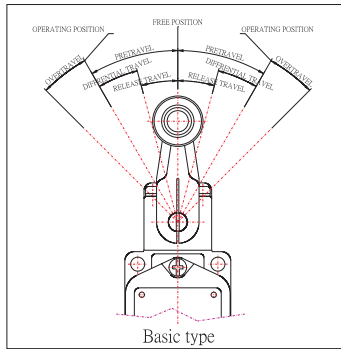
The head of -71 series switch can be installed in any of the four directions: 45° operation on either side - possible

#### -72 SERIES

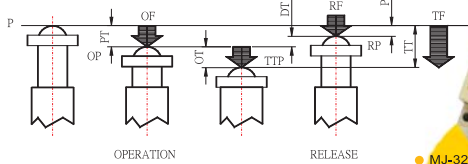
The head of -72 series switch can be installed only in two directions, forward and backward: 90° operation on either side - possible



### ROTARY ACTUATION



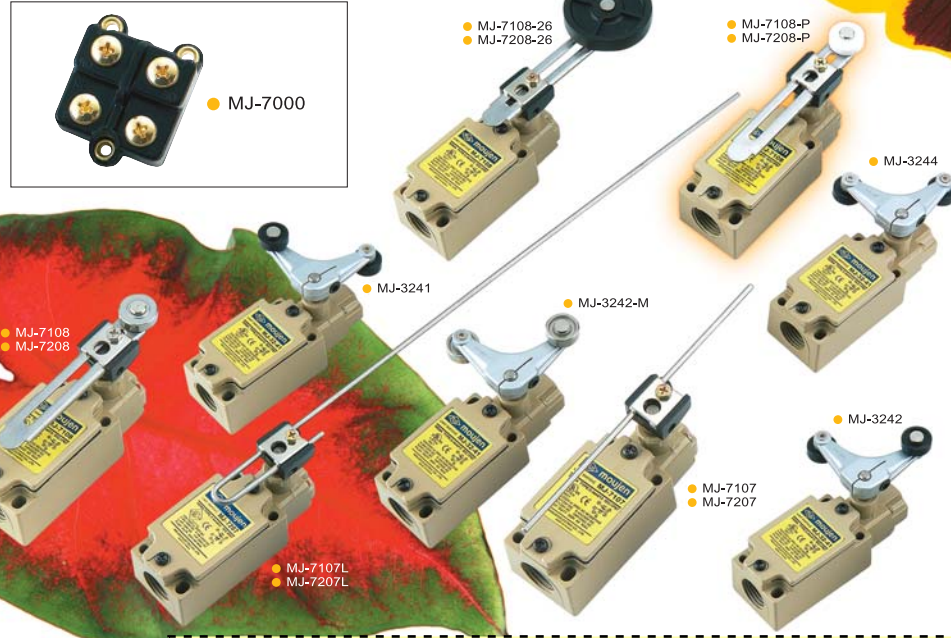
### IN-LINE PLUNGER ACTUATION



Characteristics: OF-Operating Force; PT-Pretravel; OT-Over Travel; DT-Differential Travel  
RF-Release Force; OP-Operation Position; TF-Travel Force; RP-Release Position; TT-Total Travel

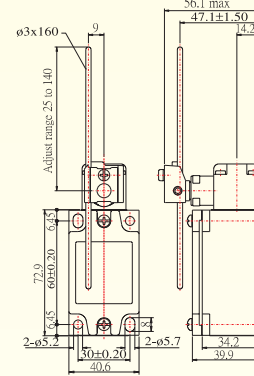
### REMARK

- MJ-7107L, MJ-7207L → 395mm long stick: 395mm 長柄

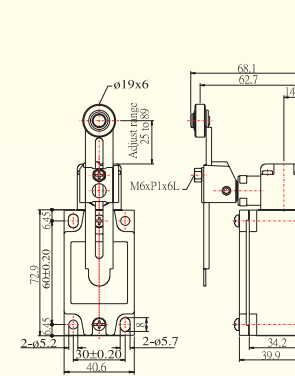


### DIMENSIONS (mm)

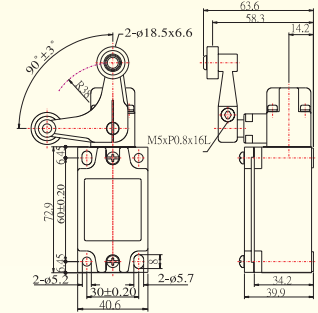
#### MJ-7107



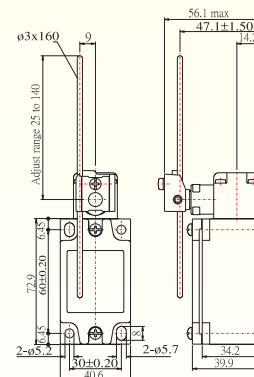
#### MJ-7108



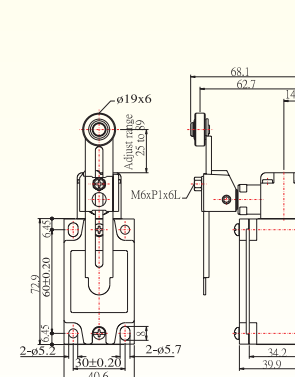
#### MJ-3241 ● MJ-3243 ● MJ-3242 ● MJ-3244



#### MJ-7207



#### MJ-7208



### OPERATING CHARACTERISTICS

	MJ-7107
OF MAX	150g —.5 in. oz.
RF MIN	28g —1 in. oz.
PT MAX	15° to 20°
OT MIN	30°
DT MAX	12°
TF: Max, 200g-1/2 in lb.	
TT: Min 43°	

	MJ-7108
OF MAX	1400g —.3 in. lbs.
RF MIN	227g —1/2 lb.
PT MAX	15° to 20°
OT MIN	25°
DT MAX	12°
TF: Max, 2720g-4 in lbs.	
TT: Min 43°	

	MJ-3241
OF MAX	1200g —.2 in. oz.
RF MIN	—
PT MAX	55°
OT MIN	35°
DT MAX	—

	MJ-7207
OF MAX	245g —.5 in. oz.
RF MIN	25g —1 in. oz.
PT MAX	25° to 30°
OT MIN	60°
DT MAX	16°
TF: Max, 200g-1/2 in lb.	
TT: 90° + 10°	

	MJ-7208
OF MAX	900g —.3 in. lbs.
RF MIN	50g —1/2 lb.
PT MAX	25° to 30°
OT MIN	60°
DT MAX	16°
TF: Max, 1820g-4 in lbs.	
TT: 90° + 10°	

## ME SERIES MINI LIMIT SWITCHES

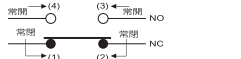
### FEATURES/功能

- Wide choice of heads and actuators. / 可配合各種不同之連桿及頭
- Variety of operating characteristics. / 具多種使用特性曲線
- Captive cover screws. / 接線頭具備式覆蓋螺絲
- Mode of operation is field adjustable. / 可調式
- Internal grounding screw. / 內裝接地螺絲
- Dustproof, Oil-Tight, Water-Resistant. / 防塵、防油、防水
- Temperature range +5°F to +160°F. / 適用溫度(-15°C to +70°C)

### RATING/額定

5A	250V AC (resistive)
0.4A	115V DC (resistive)

### CIRCUITRY/電氣回路

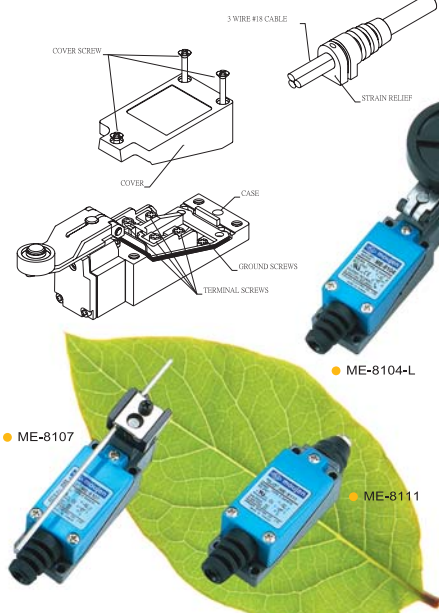
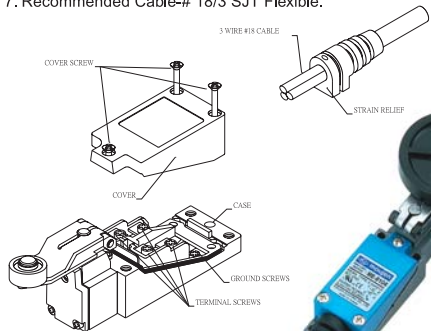


### FIELD ADJUSTABLE

Rotary motion roller lever and rod actuators are adjustable through 360°. They may be set for operation clockwise, counter-clockwise, or in both directions. Operating heads may be positioned in any of four 90° positions.

### EASY WIRING

1. Loosen cover screws and remove cover.
2. Remove rubber strain relief from switch cover.
3. Slip strain relief over cable.
4. Fasten terminal screws and grounding screw tightly after inserting cables or terminals.
5. After wiring, insert strain relief into the groove of the switch cover.
6. Fasten 3 cover screws evenly. Do not over tighten.
7. Recommended Cable-# 18/3 SJT Flexible.



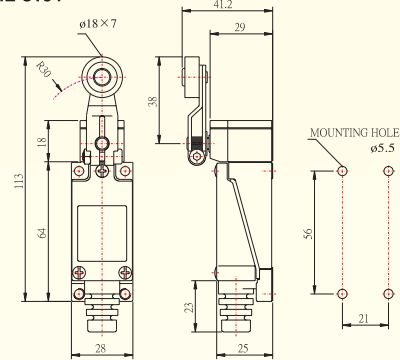
### CHARACTERISTICS/特性

Operating speed	0.5mm to 50m/sec
Operating frequency	Mechanically: 120 operations/min. Electrically: 30 operations/min.
Contact resistance	15m Ω max. (initial)
Insulation resistance	100M Ω min. (at 500 V DC)
Dielectric strength	1,000 VAC, 50/60 Hz for 1 minute between non-current terminals 2,000 VAC, 50/60 Hz for 1 minute between each terminal and non-current carrying metal part and between each terminal and ground
Vibration	Malfunction durability: 10 to 55Hz; 1.5mm double amplitude
Shock	Mechanical durability: Approx. 1,000m/sec <sup>2</sup> (approx. 100G's) Malfunction durability: Approx. 300m/sec <sup>2</sup> (approx. 30 G's)
Ambient temperature	Operating: -15°C to +70°C
Humidity	95% RH max
Service life	Mechanically: 10,000,000 operations min Electrically: 300,000 operations min.
Degree of protection	IEC 529 class IP65

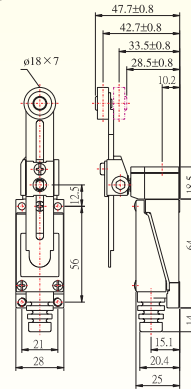


### DIMENSIONS (mm)

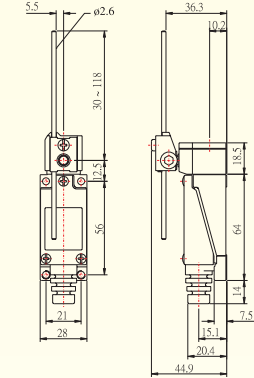
#### ME-8104



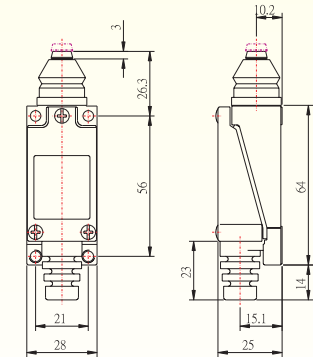
#### ME-8108



#### ME-8107



#### ME-8111



### OPERATING CHARACTERISTICS

	ME-8104
OF MAX	600g
RF MIN	50g
PT MAX	20°
OT MIN	75°
DT MAX	10°
TT MIN	95°

	ME-8107
OF MAX	203g
RF MIN	12g
PT MAX	20°
OT MIN	75°
DT MAX	10°
TT MIN	95°

	ME-8108
OF MAX	340g
RF MIN	21g
PT MAX	20°
OT MIN	75°
DT MAX	10°
TT MIN	95°

	ME-8111
OF MAX	900g
RF MIN	150g
PT MAX	1.5mm
OT MIN	4.0mm
DT MAX	0.7mm
TT MIN	5mm



## ME SERIES MINI LIMIT SWITCHES

### ORDER GUIDE

Standard type: 標準型

ME-8104 | ME-8107 | ME-8108 | ME-8111 | ME-8112 | ME-8122 | ME-8166 | ME-8169 | ME-9101 | ME-8000

Flat cover type (Custom made): 平上蓋 (訂製品)

ME-8104F | ME-8107F | ME-8108F | ME-8111F | ME-8112F | ME-8122F | ME-8166F | ME-8169F | ME-9101F

Metal roller (Custom made): 金屬滾輪 (訂製品)

ME-8104-M | ME-8108-M

Ø50mm rubber's roller (Custom made): 50mm 橡膠滾輪 (訂製品)

ME-8104-L | ME-8108-L

Plastic roller (Custom made): 塑膠滾輪 (訂製品)

ME-8112-P | ME-8122-P

1/4 steel and 3/4 spring (Custom made): 動作柄1/4白鐵 3/4彈簧 (訂製品)

ME-9101-HI

### REMARK:

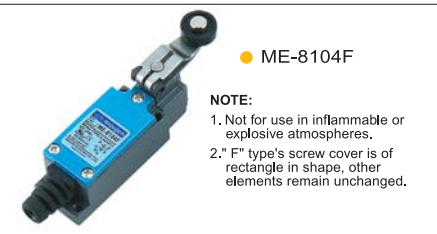
Metal roller type: 金屬滾輪型式  
ME-8104-M ME-8108-M

Plastic roller type: 塑膠滾輪型式  
ME-8112-P ME-8122-P

Ø50mm rubber's roller type: ø50mm 橡膠滾輪型式  
ME-8104-L ME-8108-L

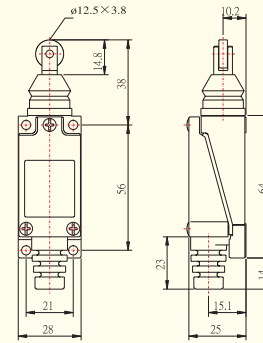
ME-9101-HI → 1/4 steel and 3/4 spring · 動作柄1/4白鐵 3/4彈簧

### "F" type:

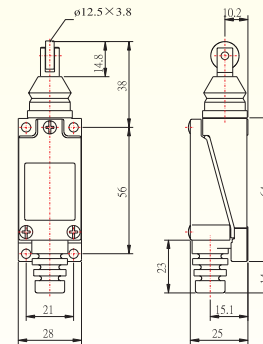


### DIMENSIONS (mm)

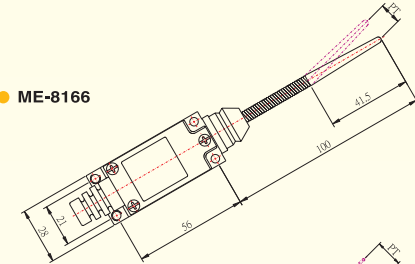
#### ME-8112



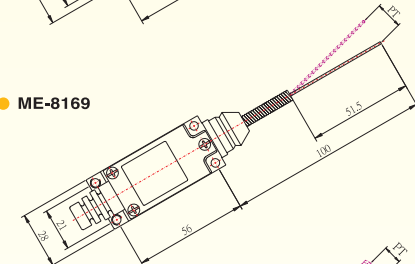
#### ME-8122



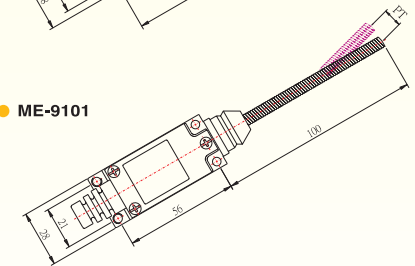
#### ME-8166



#### ME-8169



#### ME-9101



### OPERATING CHARACTERISTICS

	ME-8112
OF MAX	900g
RF MIN	150g
PT MAX	1.5mm
OT MIN	4.0mm
DT MAX	0.7mm
TT MIN	5mm

	ME-8166
OF MAX	90g
RF MIN	-
PT MAX	30mm
OT MIN	20mm
DT MAX	-
TT MIN	-

	ME-9101
OF MAX	90g
RF MIN	-
PT MAX	30mm
OT MIN	20mm
DT MAX	-
TT MIN	-

	ME-8122
OF MAX	900g
RF MIN	150g
PT MAX	1.5mm
OT MIN	4.0mm
DT MAX	0.7mm
TT MIN	5mm

	ME-8169
OF MAX	90g
RF MIN	-
PT MAX	30mm
OT MIN	20mm
DT MAX	-
TT MIN	-

## ME A SERIES MINI LIGHT LIMIT SWITCHES

### ◆ FEATURES/功能

- Total plastic enclosure, light weight switches. / 塑膠外殼重量輕
- Wide choice of heads and actuators. / 可配合各種不同之連桿及頭
- Captive cover screws. / 接線頭具帽式覆蓋螺絲
- Mode of operation is filed adjustable. / 可調式
- Dustproof, Oil-Tight, Water-Resistant. / 防塵、防油、防水
- 2 circuits: 1 N.O., 1 N.C. contacts design. / 雙迴路1 N.O., 1 N.C.設計
- Tempe. range +5°F to +160°F (-15°C to +70°C). / 適用溫度



### ◆ CHARACTERISTICS/特性

Operating speed	0.5mm to 50mm/sec
Operating frequency	Mechanically: 120 operations/min. Electrically: 30 operations/min.
Contact resistance	15m Ω max. (initial)
Insulation resistance	100M Ω min. (at 500 V DC)
Dielectric strength	1,000 VAC, 50/60 Hz for 1 minute between non-continuous terminals 1500 VAC, 50/60 Hz for 1 minute between each terminal and non-current carrying metal part and between each terminal and ground
Vibration	Malfunction durability: 10 to 55Hz; 1.5mm double amplitude
Shock	Mechanically durability: Approx. 1,000m/sec <sup>2</sup> (approx. 100G's) Malfunction durability: Approx. 300m/sec <sup>2</sup> (approx. 30 G's)
Ambient temperature	Operating: -15°C to +70°C
Humidity	95% RH max
Service life	Mechanically: 10,000,000 operations min Electrically: 500,000 operations min.
Degree of protection	IEC 529 class IP65

### ◆ FILED ADJUSTABLE

Rotary motion roller lever and rod actuators are adjustable through 360°. They may be set for operation clockwise, counter-clockwise, or in both directions. Operating heads may be positioned in any of four 90° and four 45° positions.

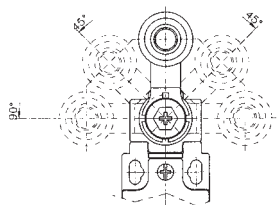
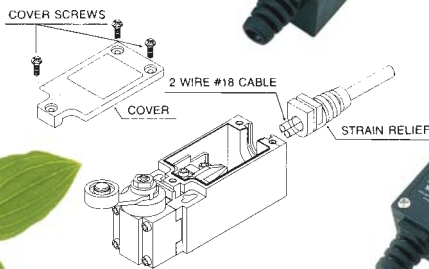
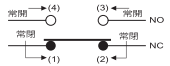
### ◆ EASY WIRING

1. Loosen cover screws and remove cover.
2. Remove rubber strain relief from switch cover.
3. Slip strain relief cover cable.
4. Fasten terminal screws tightly after inserting cables or terminals.
5. After wiring, insert strain relief into the groove of the switch cover.
6. Fasten 3 cover screws evenly. Do not over tighten.
7. Recommended Cable: #18/2 SJT Flexible.

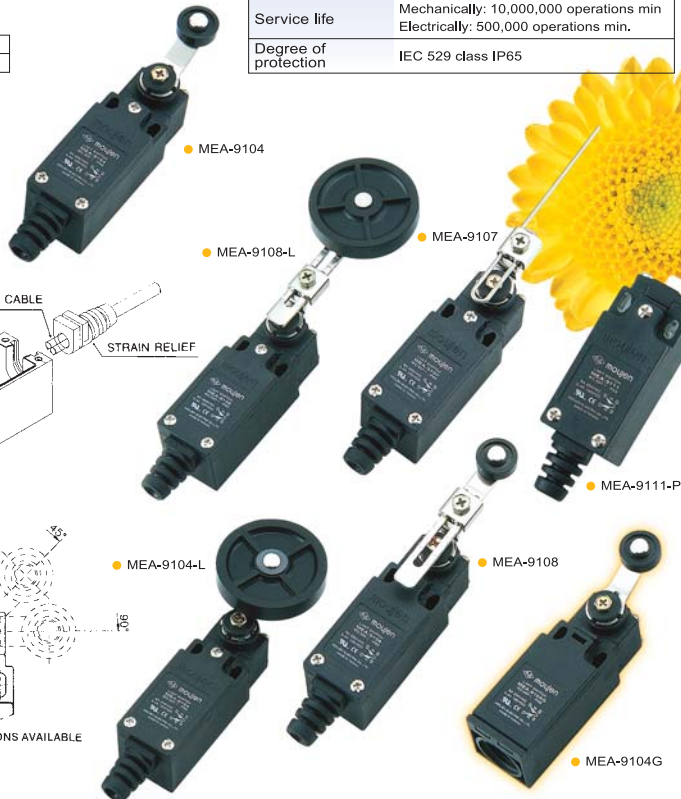
### ◆ RATING/額定

6A	125 or 250V AC
0.4A	125V DC

### ◆ CIRCUITRY/電氣回路

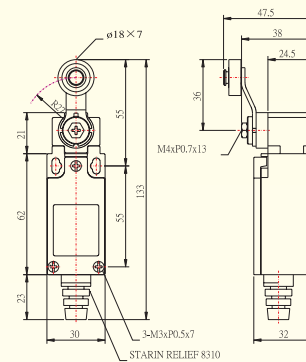


FIVE OPERATING POSITIONS AVAILABLE

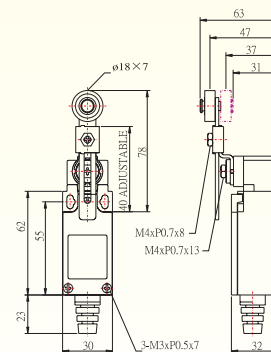


### DIMENSIONS (mm)

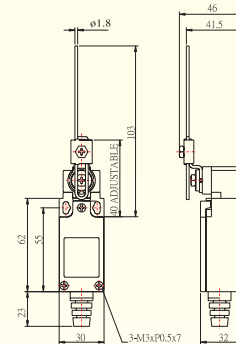
#### ● MEA-9104



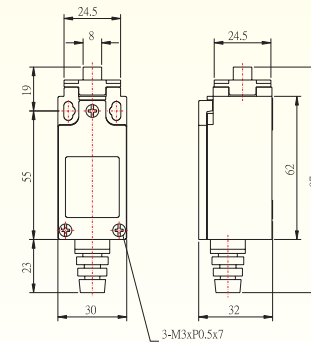
#### ● MEA-9108



#### ● MEA-9107



#### ● MEA-9111



### OPERATING CHARACTERISTICS

	MEA-9104
OF MAX	300g
RF MIN	100g
PT MAX	20°
OT MIN	50°
DT MAX	12°
TT MIN	70°

	MEA-9107
OF MAX	100g
RF MIN	40g
PT MAX	20°
OT MIN	50°
DT MAX	12°
TT MIN	70°

	MEA-9108
OF MAX	100g
RF MIN	40g
PT MAX	20°
OT MIN	50°
DT MAX	12°
TT MIN	70°

	MEA-9111
OF MAX	500g
RF MIN	150g
PT MAX	2.0mm
OT MIN	4.0mm
DT MAX	10mm
TT MIN	5mm



## ME A SERIES MINI LIGHT LIMIT SWITCHES

### ORDER GUIDE

Standard type: 標準型

MEA-9104	MEA-9107	MEA-9108	MEA-9111	MEA-9112
MEA-9122	MEA-9161	MEA-9166	MEA-9169	

Flat tail (G) type: 平底 (G)型

MEA-9104G	MEA-9107G	MEA-9108G	MEA-9111G	MEA-9112G
MEA-9122G	MEA-9161G	MEA-9166G	MEA-9169G	

Ø50mm rubber's roller (Custom made): 50mm橡膠滾輪 (訂製品)

MEA-9104-L	MEA-9108-L
------------	------------

Plastic roller (Custom made): 塑膠滾輪 (訂製品)

MEA-9111-P	MEA-9112-P
------------	------------

Metal head (Custom made): 金屬頭部 (訂製品)

MEA-9112-Z	MEA-9122-Z
------------	------------

Pre-Cable type (Custom made): 預附電纜型式 (訂製品)

MEA-9104A-□	MEA-9107A-□	MEA-9108A-□	MEA-9111A-□	MEA-9112A-□
MEA-9122A-□	MEA-9161A-□	MEA-9166A-□	MEA-9169A-□	

\* wiring in □ M cable/ 附 □ 米電纜線

### "G" type: Flat tail, 平底型

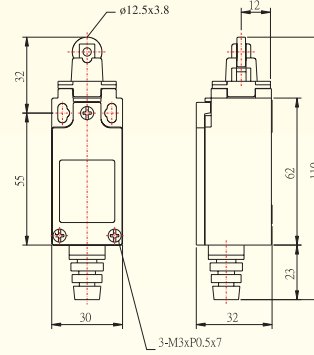


### Pre-cable type: 預附電纜型式

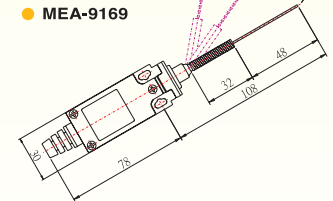
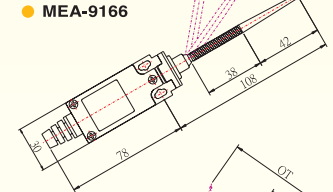
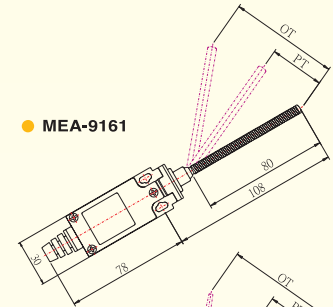
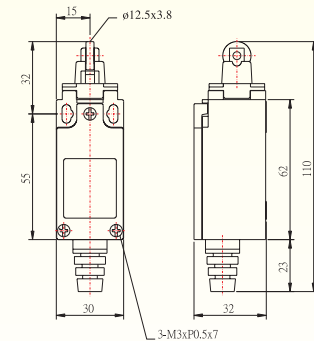


### DIMENSIONS (mm)

#### ● MEA-9112



#### ● MEA-9122



### OPERATING CHARACTERISTICS

	MEA-9112
OF MAX	500g
RF MIN	150g
PT MAX	2.0mm
OT MIN	4.0mm
DT MAX	1.0mm
TT MIN	5mm

	MEA-9161
OF MAX	60g
RF MIN	-
PT MAX	25°
OT MIN	50°
DT MAX	-
TT MIN	70°

	MEA-9169
OF MAX	60g
RF MIN	-
PT MAX	25°
OT MIN	50°
DT MAX	-
TT MIN	70°

	MEA-9122
OF MAX	500g
RF MIN	150g
PT MAX	2.0mm
OT MIN	4.0mm
DT MAX	1.0mm
TT MIN	5mm

	MEA-9166
OF MAX	60g
RF MIN	-
PT MAX	25°
OT MIN	50°
DT MAX	-
TT MIN	70°

## ► M4 SERIES ENCLOSED LIMIT SWITCHES

- Miniature Size.
- Wide range of choice.
- Protective grade conforms to IP 67.
- With 2m or 3m cable.(VCTF or SJTO cable).
- SJTO cable (UL approved)Oil resistance cord type.
- Standard type, Side out cable type, Quick connent type. (M12×1)

- 小型設計種類齊全
- 防油、防水程度佳，符合 IP67
- 標準品附2m或3m電纜線( VCTF或SJTO電纜)
- SJTO 電纜線為 UL 認證之耐油纜線
- 標準型、側出線型、快速連結型



### ◆ STANDARD TYPE/標準型

**ORDERING CODE:** M4 - 4101 - 2

Series code      Type NO.      Cable code

**Cable code : cable type ; cable length** 電纜規格、長度

VCTF Cable (0.75mm<sup>2</sup> × 4c)      2 → 2m      3 → 3m

SJTO Cable (UL approved) (18AWG × 4c)      2L → 2m      3L → 3m

### ELECTRICAL RATING

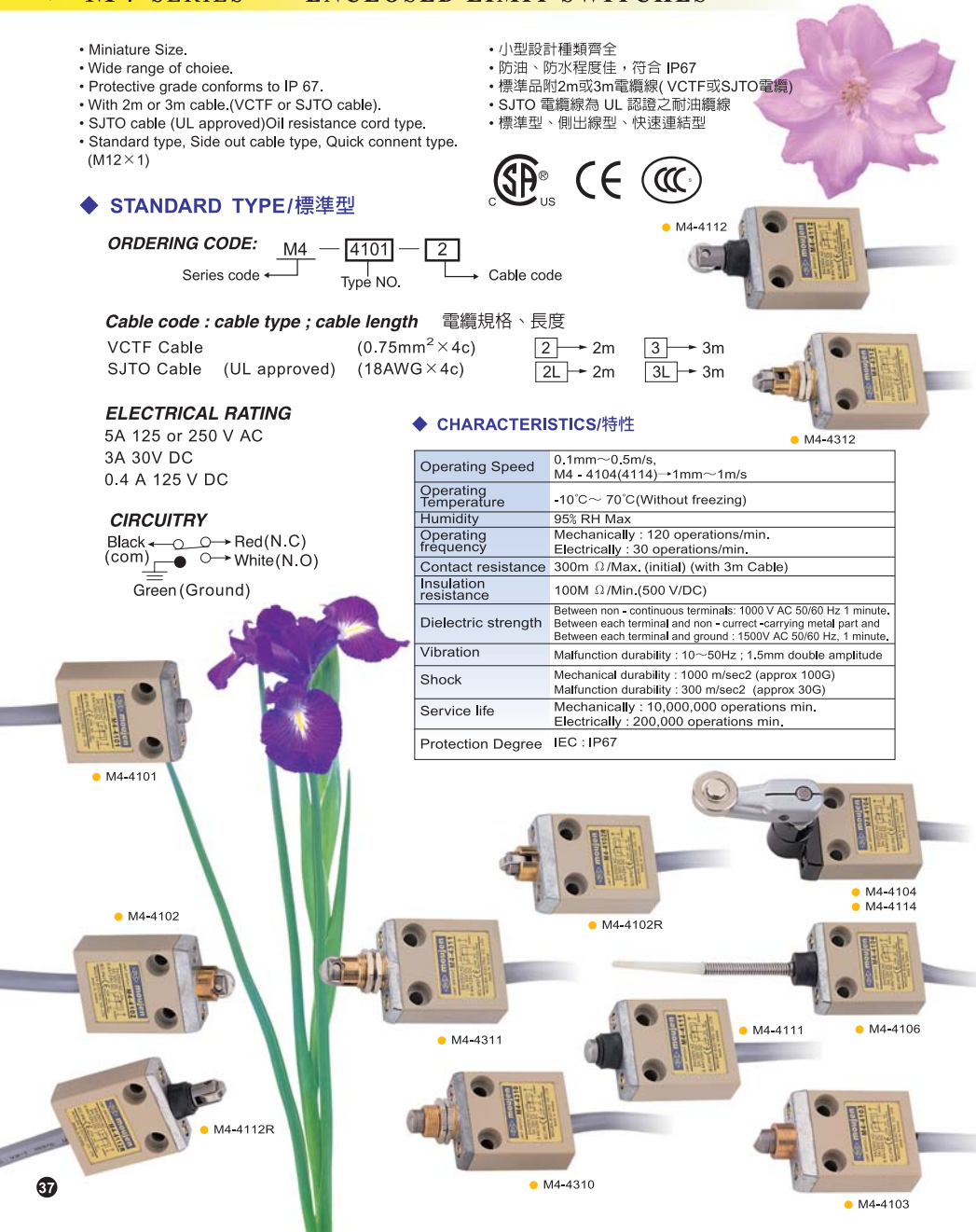
5A 125 or 250 V AC  
3A 30V DC  
0.4 A 125 V DC

### CIRCUITRY

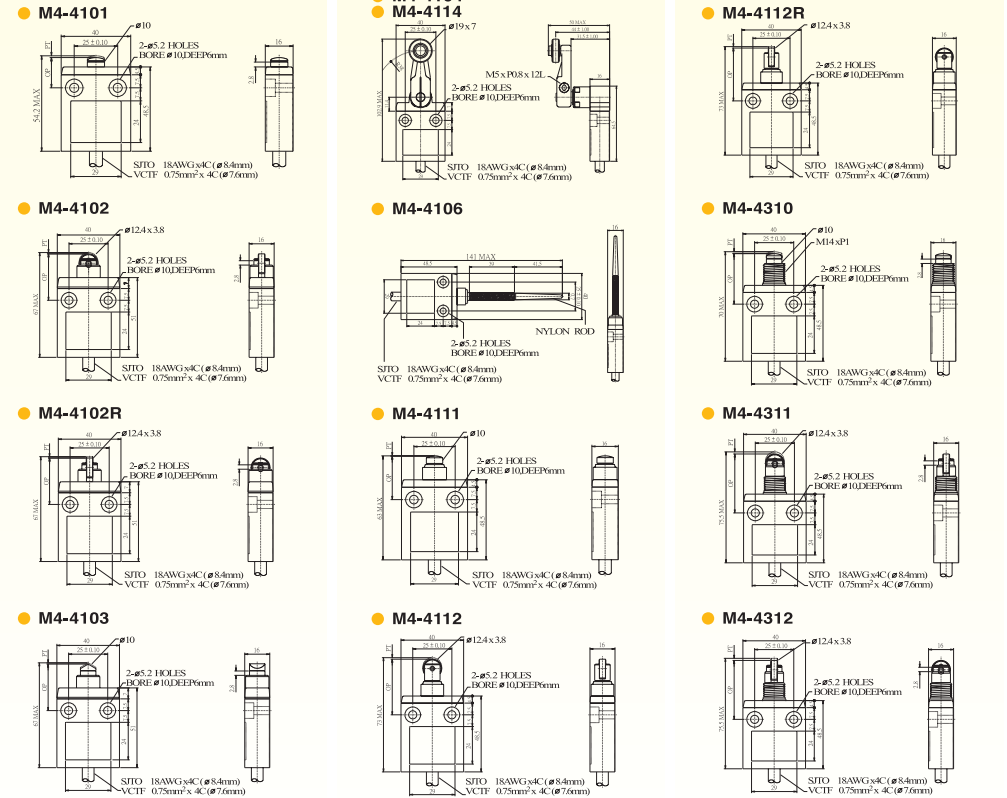
Black (com) → Red (N.C)  
Green (Ground) → White (N.O)

### ◆ CHARACTERISTICS/特性

Operating Speed	0.1mm~0.5m/s, M4-4104(4114)→1mm~1m/s
Operating Temperature	-10°C~70°C(Without freezing)
Humidity	95% RH Max
Operating frequency	Mechanically: 120 operations/min. Electrically: 30 operations/min.
Contact resistance	300m Ω/Max. (initial) (with 3m Cable)
Insulation resistance	100M Ω/Min.(500 V/DC)
Dielectric strength	Between non - continuous terminals: 1000 V AC 50/60 Hz 1 minute. Between each terminal and non - current-carrying metal part and Between each terminal and ground: 1500V AC 50/60 Hz, 1 minute.
Vibration	Malfunction durability: 10~50Hz; 1.5mm double amplitude
Shock	Mechanical durability: 1000 m/sec <sup>2</sup> (approx 100G) Malfunction durability: 300 m/sec <sup>2</sup> (approx 30G)
Service life	Mechanically: 10,000,000 operations min. Electrically: 200,000 operations min.
Protection Degree	IEC : IP67



### DIMENSIONS (mm)



### OPERATING CHARACTERISTICS

M4-4101	M4-4102	M4-4102R	M4-4103	M4-4104/M4-4114	M4-4106
OF MAX 1200g	OF MAX 1200g	OF MAX 1200g	OF MAX 1200g	OF MAX 580g	OF MAX 150g
RF MIN 450g	RF MIN 450g	RF MIN 450g	RF MIN 450g	RF MIN 150g	RF MIN 150g
PT MAX 1.8mm	PT MAX 1.8mm	PT MAX 1.8mm	PT MAX 1.8mm	PT MAX 25°	PT MAX 15°
OT MIN 3mm	OT MIN 3mm	OT MIN 3mm	OT MIN 3mm	OT MIN 40°	OT MIN 40°
MD MAX 0.2mm	MD MAX 0.2mm	MD MAX 0.2mm	MD MAX 0.2mm	MD MAX 3'	MD MAX 3'
OP 15.7±1mm	OP 28.5±1mm	OP 28.5±1mm	OP 28.5±1mm	OP *	OP *

M4-4111	M4-4112	M4-4112R	M4-4310	M4-4311	M4-4312
OF MAX 1800g	OF MAX 1800g	OF MAX 1800g	OF MAX 1200g	OF MAX 1200g	OF MAX 1200g
RF MIN 450g	RF MIN 450g	RF MIN 450g	RF MIN 450g	RF MIN 450g	RF MIN 450g
PT MAX 1.8mm	PT MAX 1.8mm	PT MAX 1.8mm	PT MAX 1.8mm	PT MAX 1.8mm	PT MAX 1.8mm
OT MIN 3mm	OT MIN 3mm	OT MIN 3mm	OT MIN 3mm	OT MIN 3mm	OT MIN 3mm
MD MAX 0.2mm	MD MAX 0.2mm	MD MAX 0.2mm	MD MAX 0.2mm	MD MAX 0.2mm	MD MAX 0.2mm
OP 24.9±1mm	OP 34.3±1mm	OP 34.3±1mm	OP 31.2±1mm	OP 36.8±1mm	OP 36.8±1mm



## ▶ M4 SERIES ENCLOSED LIMIT SWITCHES

### ◆ Side Out Cable Type: 側出線型

ORDERING CODE: M4 - 4101 S - 2

Series code      Type NO.      Cable code

M4-4104S

### ◆ Quick Connent Type (M12×1): 快速連接器型

ORDERING CODE: M4 - 4101 Q - AC

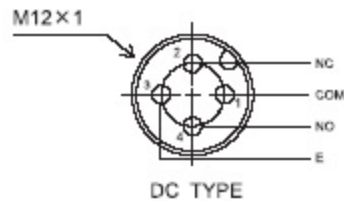
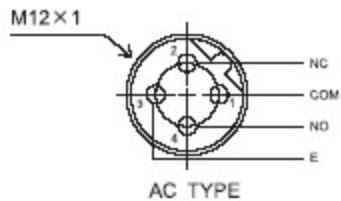
Series code      Type NO.      Connection style

M4-4102Q

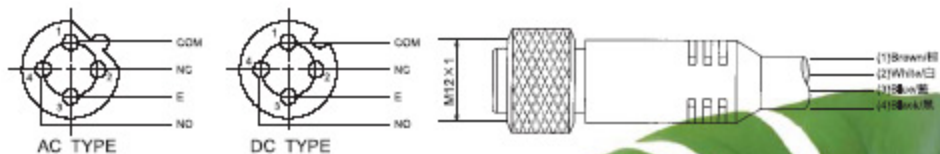


### ● Connector Style: 連接器型式

AC → For AC or AC/DC Quick Connect Style.  
DC → For DC Quick Connect Style.



### ● Connector Cable: 連結電線



### ORDERING CODE

AC TYPE	DC TYPE	Cable length 電纜長度
M4-QAC-2	M4-QDC-2	2 m
M4-QAC-3	M4-QDC-3	3 m
M4-QAC-5	M4-QDC-5	5 m