

 **MENNEKES®**

Plugs for the world



North American
Edition










MENNEKES products are used in tough environments all over the world. This statement says more than a thousand words and is the best mark of confidence we could wish for.

Communicating with you, our customers, is our absolute priority because only through an ongoing exchange with you will MENNEKES products remain what they are now: Professional solutions with high user value; made by professionals for professionals.

Mark of
confidence.



Table of contents

	About us	2 - 5
	Technical data and material specifications	6 - 7
	Wiring Devices for North America Receptacles, Inlets, Plugs and Connectors	8 - 17
	AMAXX® Receptacle Combinations	18 - 37
	Switched and Interlocked Receptacles	38 - 43
	Motor Disconnect Switches	44 - 51
	UL 1686 Configured Switched Receptacles and Plugs	52 - 56
	Accessories & Replacement Parts	57
	Industry Applications	58 - 59

Family business.

MENNEKES... a Global Leader in the manufacturing of electrical products, has just taken the best IEC 60309 Industrial Products and made them even better!

MENNEKES is a family-run business. Personal relationships are the core of our business - we feel this is the reason for our legendary customer focus.

At MENNEKES, an 800-strong global workforce produces plugs and receptacles for international markets from its headquarters in Kirchhundem, Germany and its Neudorf plant in the Erzgebirge area of Germany.

MENNEKES North America was established in 1987 and is headquartered in Fairfield, NJ with sales offices throughout the US, Canada and Mexico.



Molding facility located in Neudorf, Germany.



Main manufacturing facility on corporate complex.

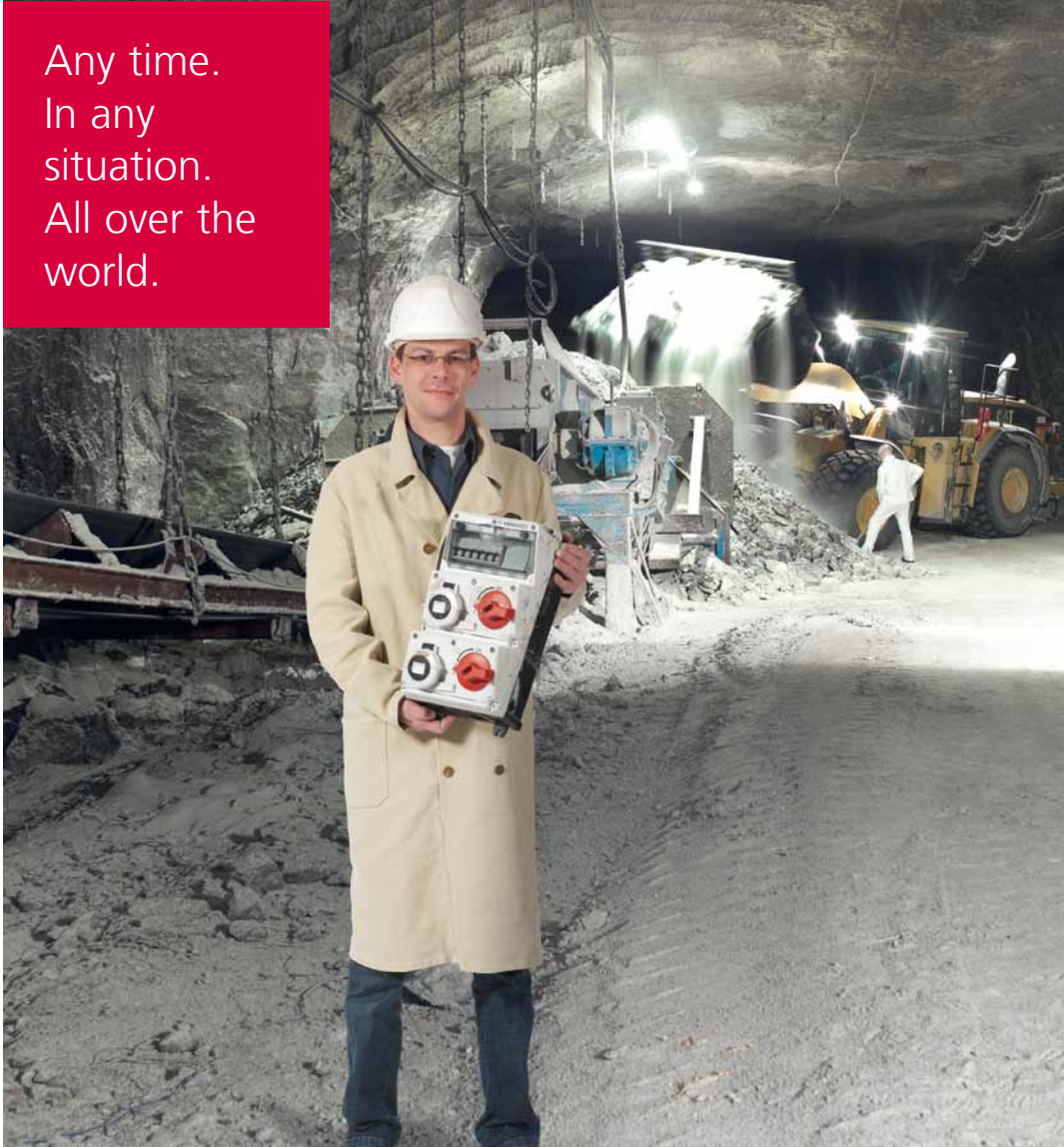


MENNEKES Corporate Offices located in Kirchhundem, Germany.

At MENNEKES, we understand the importance of quality power distribution products that are both user friendly and safe. MENNEKES has drawn on over 70 years of industry leading innovation to provide you with the highest quality product to meet your most demanding challenges in an ever-changing global marketplace.

Endurance test.

Any time.
In any
situation.
All over the
world.



When a MENNEKES product leaves our factory, it has already withstood the harshest testing. In our test lab it is exposed to cold, heat, dust and water over and over again. Only the products that withstand these tests are worthy of the name MENNEKES.

As a specialist for plug and receptacle devices, we have our own approved test lab where our products are tested again and again until we are convinced that they can permanently withstand the harshest environments.

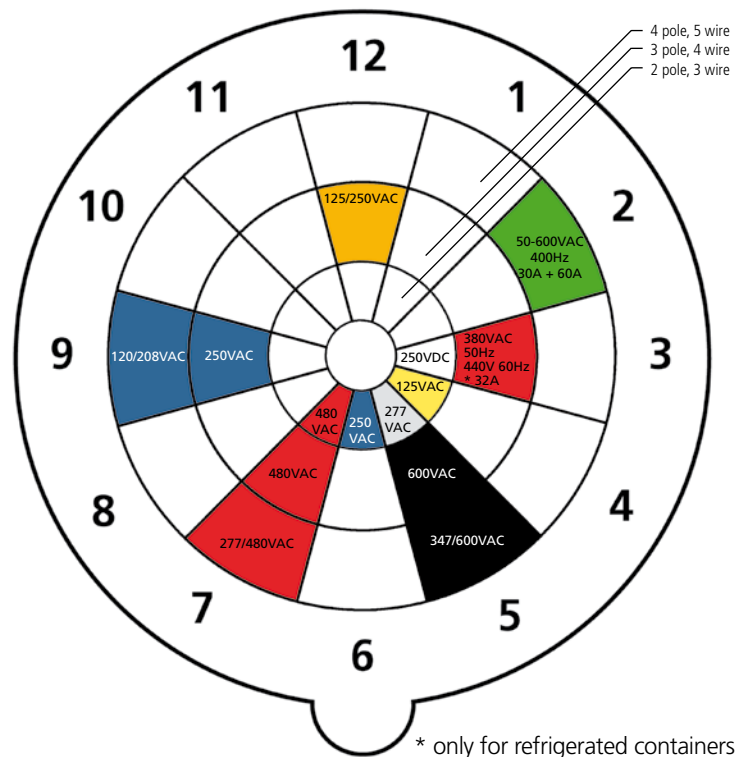
Our products are certified to national and international standards by renowned institutions. Our international quality management system is certified to DIN EN ISO 9001.

The combination of first-class raw materials and advanced manufacturing processes guarantees a premium product. This is why we use only first-grade resins which are processed by a highly skilled workforce in state-of-the-art production facilities to create certified MENNEKES products.



Worldwide Standardization.

MENNEKES is one of the world-leading manufacturers of IEC 60309 Pin and Sleeve Products. Offering a complete range of products with 20A to 100A ratings, all units feature impact and chemical resistant non-metallic housings. Parts are color coded to clearly identify voltage configuration and units are compatible with other IEC 60309-2 brands. MENNEKES offers NPT threaded cable housings and replaceable gasketed covers to facilitate field installation and maintenance requirements. Locking rings with neoprene gaskets provide a watertight seal for use in harsh environments.



Clock positions for North America⁺

per UL 1686 C2

Making a connection is easy.

A clock face is used to represent the grounding contact position for all female connectors and receptacles. With the keyway at the bottom, the female grounding contact will appear at one of the twelve hour positions. To identify the system voltage, identify the housing color and hour location of the connector or receptacle grounding contact.

⁺ See our full line International Wiring Device Catalog for Series 1 International Configurations.

Ordering Information and Technical Data.

Ordering is easy

We have made our catalog number ordering system as easy to use as our products! Simply follow the six-part "code"...

ME	4	20	R	7	W*
Prefix	1st digit	2nd-4th digit	1st letter	Last digit	Last letter
ME = MENNEKES	3 = 3 Wire 4 = 4 Wire 5 = 5 Wire	20 = 20 Amp. 30 = 30 Amp. 60 = 60 Amp. 100 = 100 Amp.	P = Plug C = Connector R = Receptacle B = Inlet MI = Mechanical Interlock	Clock position of female grounding contact	W = Watertight

* Omit W for Splashproof version

Compliance & Mechanical

- UL Standards 1682; 1686-C2 Pin and Sleeve Type; UL to CSA 22.2 No. 182.2
- Conforms to IEC Standards 60309-1 and 60309-2
Watertight: IP 67 per IEC 529, Splashproof: IP 54 per IEC 529
- Flame Class Rating per UL94:
V0 for Contact Carriers (insulators), HB or better for Housings (UV Stabilized)
- Impact Resistance:
Units conditioned to -25°C for 6 hours and dropped 8 times from 30"
- Crush: Units conditioned to -25°C for 6 hours and 250 lbs. of force applied for 1 minute.
- Cable Grip Retention: (applied to min. cable size)

Unit	Force, lbs.	Torque, ft. lbs.
20A	30	0.4
30A	75	0.5
60A	150	1.0
100A	150	1.0

Electrical

- Dielectric Voltage:** 3000V maximum
- Maximum Working Voltage:** 600 RMS
- Current Interrupting:** Certified at full-rated current and voltage
- Temperature Rise:** Maximum 30°C temperature at full rated current
- Overload:** 50 cycles at 150% of rated current and 100% of rated voltage. (Power factor at .75-.80)
- Endurance with Load:** (at .75-.80 Power Factor)

20A-	5,000 mated cycles at full-rated current/voltage.
30A and 60A-	2,000 mated cycles with full-rated current/voltage applied on every other cycle.
100A-	500 mated cycles with full-rated current/voltage applied on every other cycle.

Material Specifications

Component Part	Receptacle	Plug	Connector	Inlet
Housing & Flange	PBT Polyester & Nylon/ABS Blend	20A & 30A Type 6 Nylon 60A & 100A Nylon/ABS Blend	20A & 30A Type 6 Nylon 60A & 100A Nylon/ABS Blend	20A & 30A Type 6 Nylon & PC/PET Blend 60A & 100A Nylon/ABS Blend
Back Body		20A & 30A Type 6 Nylon 60A & 100A Nylon/ABS Blend	20A & 30A Type 6 Nylon 60A & 100A Nylon/ABS Blend	
Contact Carrier / Support Isolators	Type 6/6 Nylon	20A & 30A Type 6 Nylon 60A & 100A Type 6/6 Nylon	Type 6/6 Nylon	20A & 30A Type 6 Nylon 60A & 100A Type 6/6 Nylon
Sleeves	Brass		Brass	
Pins		20A - 100A Brass, Nickel Plated		20A - 100A Brass, Nickel Plated
Contact Spring on Sleeves	Stainless Steel, Nickel Plated		Stainless Steel, Nickel Plated	
Bayonette Ring		20A & 30A PC/PET Blend 60A & 100A PBT Polyester		PC/PET Blend 100A PBT Polyester
Bayonette Gasket		NBR Rubber		NBR Rubber
External Strain Relief		PC/PET Blend	PC/PET Blend	
Cable Seal		EPDM Rubber	EPDM Rubber	
Support Washer for Cord Grip		Steel, Zn Passivated	Steel, Zn Passivated	
Cover	Type 6 Nylon with PBT Locking Ring		Type 6 Nylon with PBT Locking Ring	
Cover Spring	Stainless Steel		Stainless Steel	
Rivet	PBT Polyester		PBT Polyester	
Cover Gasket	NBR Rubber; 100A EPDM Rubber		NBR Rubber; 100A EPDM Rubber	
Flange Gasket	EPDM Rubber			EPDM Rubber
Terminal Screws	Brass, Nickel Plated 100A Brass	Brass, Nickel Plated 100A Brass	Brass, Nickel Plated 100A Brass	Brass, Nickel Plated 100A Brass
Assembly Screws	Stainless Steel	20A & 30A Stainless Steel 60A & 100A Brass Nickel Plated	20A & 30A Stainless Steel 60A & 100A Brass Nickel Plated	Stainless Steel

Wiring Devices - Series 309 Pin and Sleeve.

Unique
features.
Versatile.
Safe.

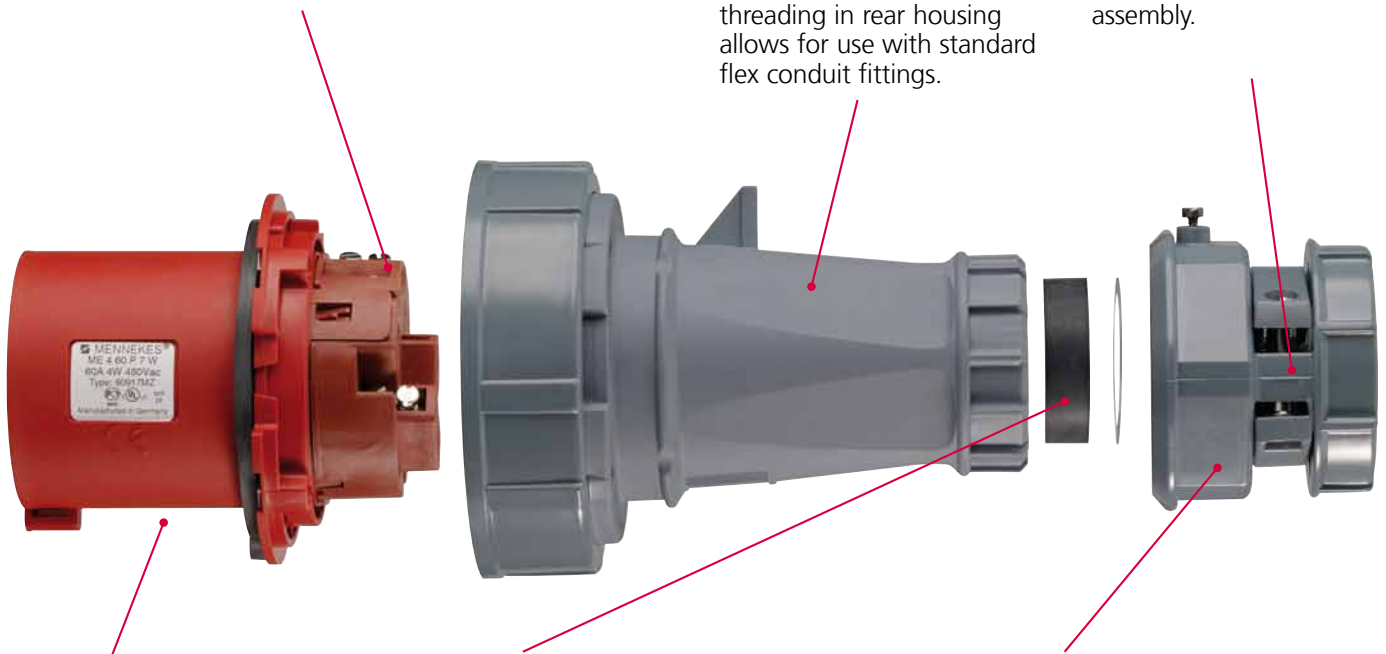


MENNEKES offers a wide range of Wiring Devices for various applications.

The terminals provide a large clamping area, with uniform contact pressure on the conductor providing low contact resistance in use. High operational reliability is assured.

60A and 100A models also have an ergonomic design to facilitate the mating and un-mating of devices. NPT threading in rear housing allows for use with standard flex conduit fittings.

The strain relief clamps and screws are captive reducing the possibility of losing components during assembly.



Nickel-plated plug pins seated in contact carriers molded from heat resistant thermoplastic materials give increased corrosion protection in aggressive and high humidity environments.

The onion ring seal with its large sealing surface can be adapted to all common cable diameters.

The external strain relief protects the sealing ring as it absorbs stresses caused by movement of the cable. A locking screw prevents accidental movement of the strain relief. The effectiveness of the strain relief can be checked at any time, therefore working safety is considerably increased.

Features and benefits

Receptacles

Compact units are ideal for panel mount installations. Receptacles have an oversized ground sleeve to prohibit mismatching of different voltages.

Plugs

In-line plugs feature non-metallic housings with locking rings and gaskets for watertight protection.

Inlets

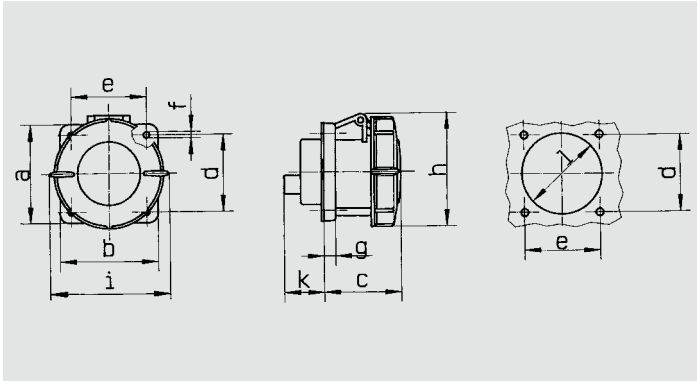
Ideal for generator or motor plug interface applications, inlets are compact and can be surface mounted or mounted with available back boxes.

Connectors

In-line connectors feature dead-front construction for safety and use split brass solid sleeves.

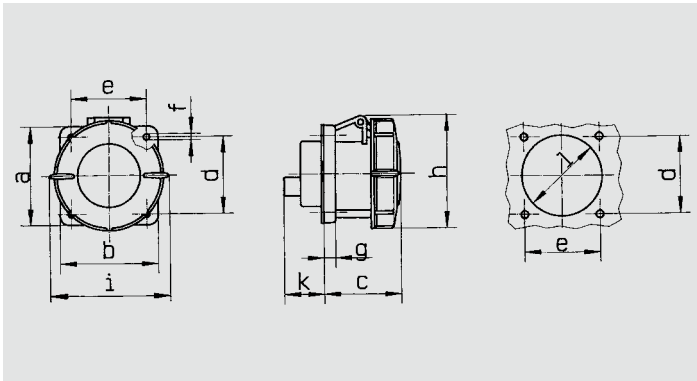
Series 309 - Pin & Sleeve Devices. Receptacles

20 Amp - 100 Amp
Watertight



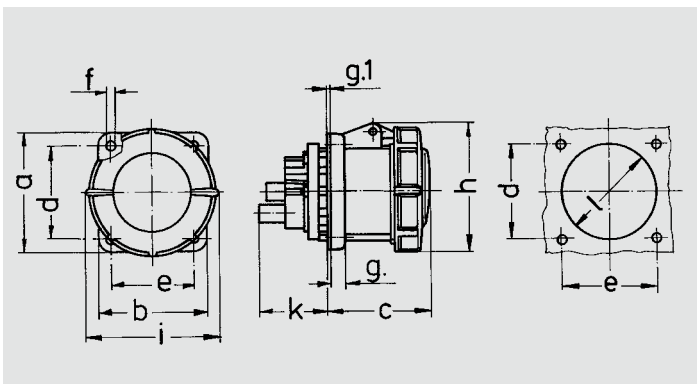
Approximate Dimensions (in inches)

	Wire Configuration		
	2 Pole, 3 Wire	3 Pole, 4 Wire	4 Pole, 5 Wire
a	3.37	3.37	3.37
b	3.37	3.37	3.37
c	2.20	2.20	2.22
d	2.74	2.74	2.74
e	2.74	2.74	2.74
f	0.22	0.22	0.22
g	0.39	0.39	0.39
h	3.09	3.44	3.74
i	2.80	3.07	3.50
k	1.12	1.12	1.12
l	2.76	2.76	2.76



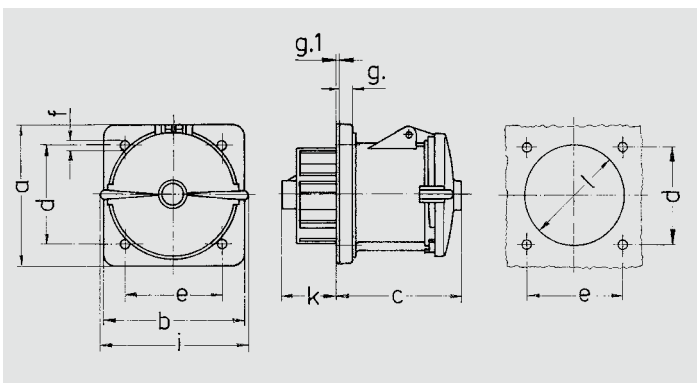
Approximate Dimensions (in inches)

	Wire Configuration		
	2 Pole, 3 Wire	3 Pole, 4 Wire	4 Pole, 5 Wire
a	3.37	3.37	3.37
b	3.37	3.37	3.37
c	2.70	2.70	2.70
d	2.74	2.74	2.74
e	2.74	2.74	2.74
f	0.22	0.22	0.22
g	0.39	0.39	0.39
h	3.90	3.90	4.12
i	3.76	3.76	4.02
k	1.38	1.38	1.38
l	2.76	2.76	2.76



Approximate Dimensions (in inches)

	Wire Configuration		
	2 Pole, 3 Wire	3 Pole, 4 Wire	4 Pole, 5 Wire
a	4.21	4.21	4.21
b	3.94	3.94	3.94
c	3.31	3.31	3.31
d	3.35	3.35	3.35
e	3.03	3.03	3.03
f	0.24	0.24	0.24
g	0.47	0.47	0.47
g.1	0.08	0.08	0.08
h	4.45	4.45	4.45
i	4.65	4.65	4.65
k	2.17	2.17	2.17
l	3.46	3.46	3.46



Approximate Dimensions (in inches)

	Wire Configuration		
	2 Pole, 3 Wire	3 Pole, 4 Wire	4 Pole, 5 Wire
a	5.12	5.12	5.12
b	5.12	5.12	5.12
c	4.88	4.88	4.88
d	4.09	4.09	4.09
e	4.09	4.09	4.09
f	0.26	0.26	0.26
g	0.71	0.71	0.71
g.1	0.08	0.08	0.08
h	4.80	4.80	4.80
i	5.31	5.31	5.31
k	1.70	1.70	1.70
l	3.74	3.74	3.74

**Receptacles
20 Amp**


* Available in splashproof. To order, omit W suffix.
For Back Box Information see page 57.

Wire Configuration	Voltage	Catalog Number*
2 Pole 3 Wire	125	ME 320R4W
	250	ME 320R6W
	480	ME 320R7W
3 Pole 4 Wire	125/250	ME 420R12W
	3Ø250	ME 420R9W
	3Ø480	ME 420R7W
	3Ø600	ME 420R5W
4 Pole 5 Wire	3ØY120/208	ME 520R9W
	3ØY277/480	ME 520R7W
	3ØY347/600	ME 520R5W

**Receptacles
30 Amp**

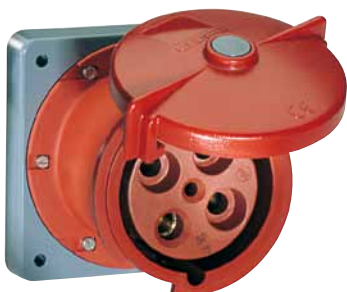

* Available in splashproof. To order, omit W suffix.
For Back Box Information see page 57.

2 Pole 3 Wire	125	ME 330R4W
	250	ME 330R6W
	480	ME 330R7W
3 Pole 4 Wire	125/250	ME 430R12W
	3Ø250	ME 430R9W
	3Ø480	ME 430R7W
	3Ø600	ME 430R5W
4 Pole 5 Wire	3ØY120/208	ME 530R9W
	3ØY277/480	ME 530R7W
	3ØY347/600	ME 530R5W

**Receptacles
60 Amp**


* Available in splashproof. To order, omit W suffix.
For Back Box Information see page 57.

2 Pole 3 Wire	125	ME 360R4W
	250	ME 360R6W
	480	ME 360R7W
3 Pole 4 Wire	125/250	ME 460R12W
	3Ø250	ME 460R9W
	3Ø480	ME 460R7W
	3Ø600	ME 460R5W
4 Pole 5 Wire	3ØY120/208	ME 560R9W
	3ØY277/480	ME 560R7W
	3ØY347/600	ME 560R5W

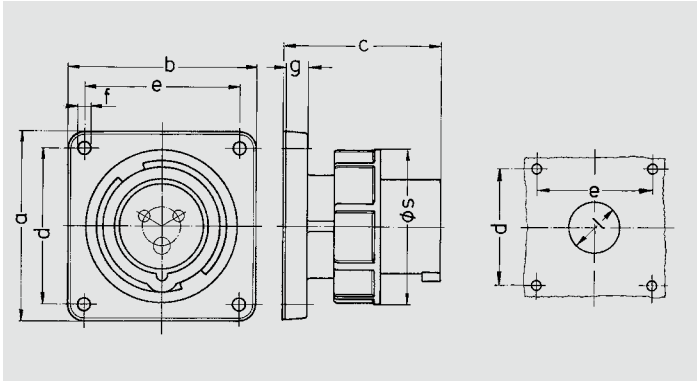
**Receptacles
100 Amp**


For Back Box Information see page 57.

2 Pole 3 Wire	125	ME 3100R4W
	250	ME 3100R6W
	480	ME 3100R7W
3 Pole 4 Wire	125/250	ME 4100R12W
	3Ø250	ME 4100R9W
	3Ø480	ME 4100R7W
	3Ø600	ME 4100R5W
4 Pole 5 Wire	3ØY120/208	ME 5100R9W
	3ØY277/480	ME 5100R7W
	3ØY347/600	ME 5100R5W

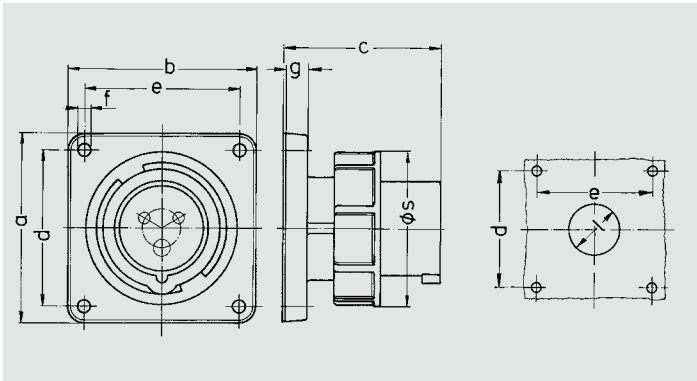
Series 309 - Pin & Sleeve Devices.
Inlets

20 Amp - 100 Amp
Watertight



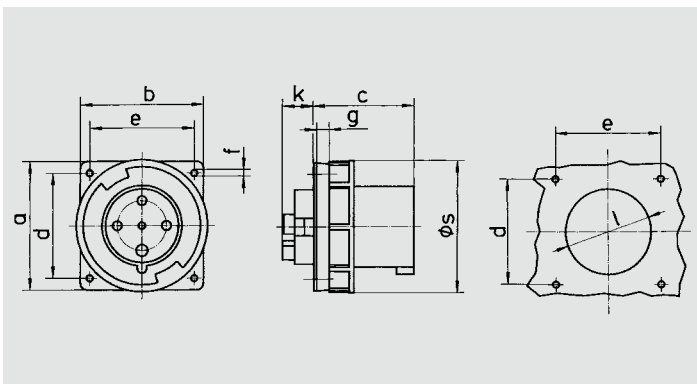
Approximate Dimensions (in inches)

	Wire Configuration		
	2 Pole, 3 Wire	3 Pole, 4 Wire	4 Pole, 5 Wire
a	3.37	3.37	3.37
b	3.37	3.37	3.37
c	2.83	2.83	2.83
d	2.74	2.74	2.74
e	2.74	2.74	2.74
f	0.22	0.22	0.22
g	0.43	0.43	0.43
l	1.26	1.26	1.85
s	2.80	3.11	3.50



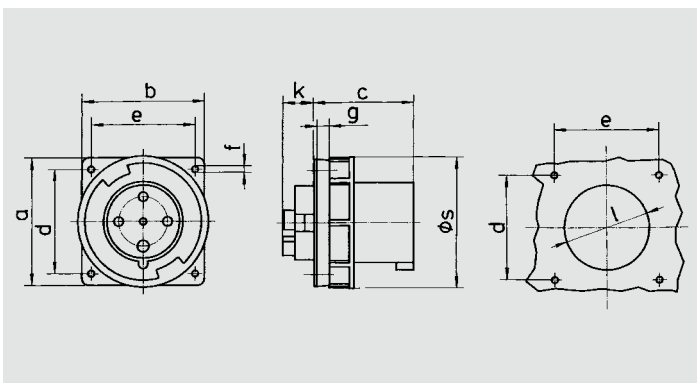
Approximate Dimensions (in inches)

	Wire Configuration		
	2 Pole, 3 Wire	3 Pole, 4 Wire	4 Pole, 5 Wire
a	3.37	3.37	3.37
b	3.37	3.37	3.37
c	3.54	3.54	3.54
d	2.74	2.74	2.74
e	2.74	2.74	2.74
f	0.22	0.22	0.22
g	0.43	0.43	0.43
l	1.85	1.85	1.85
s	3.70	3.70	4.02



Approximate Dimensions (in inches)

	Wire Configuration		
	2 Pole, 3 Wire	3 Pole, 4 Wire	4 Pole, 5 Wire
a	4.33	4.33	4.33
b	4.17	4.17	4.17
c	3.31	3.31	3.31
d	3.54	3.54	3.54
e	3.54	3.54	3.54
f	0.22	0.22	0.22
g	0.43	0.43	0.43
k	1.14	1.14	1.14
l	2.87	2.87	2.87
s	4.45	4.45	4.45



Approximate Dimensions (in inches)

	Wire Configuration		
	2 Pole, 3 Wire	3 Pole, 4 Wire	4 Pole, 5 Wire
a	5.12	5.12	5.12
b	5.12	5.12	5.12
c	4.34	4.34	4.34
d	4.10	4.10	4.10
e	4.10	4.10	4.10
f	0.26	0.26	0.26
g	0.69	0.69	0.69
k	1.14	1.15	1.15
l	3.74	3.75	3.75
s	5.20	5.20	5.20

**Inlets
20 Amp**


For Back Box Information see page 57.

Wire Configuration	Voltage	Catalog Number
2 Pole 3 Wire	125	ME 320B4W
	250	ME 320B6W
	480	ME 320B7W
3 Pole 4 Wire	125/250	ME 420B12W
	3Ø250	ME 420B9W
	3Ø480	ME 420B7W
	3Ø600	ME 420B5W
4 Pole 5 Wire	3ØY120/208	ME 520B9W
	3ØY277/480	ME 520B7W
	3ØY347/600	ME 520B5W

**Inlets
30 Amp**


For Back Box Information see page 57.

2 Pole 3 Wire	125	ME 330B4W
	250	ME 330B6W
	480	ME 330B7W
3 Pole 4 Wire	125/250	ME 430B12W
	3Ø250	ME 430B9W
	3Ø480	ME 430B7W
	3Ø600	ME 430B5W
4 Pole 5 Wire	3ØY120/208	ME 530B9W
	3ØY277/480	ME 530B7W
	3ØY347/600	ME 530B5W

**Inlets
60 Amp**


For Back Box Information see page 57.

2 Pole 3 Wire	125	ME 360B4W
	250	ME 360B6W
	480	ME 360B7W
3 Pole 4 Wire	125/250	ME 460B12W
	3Ø250	ME 460B9W
	3Ø480	ME 460B7W
	3Ø600	ME 460B5W
4 Pole 5 Wire	3ØY120/208	ME 560B9W
	3ØY277/480	ME 560B7W
	3ØY347/600	ME 560B5W

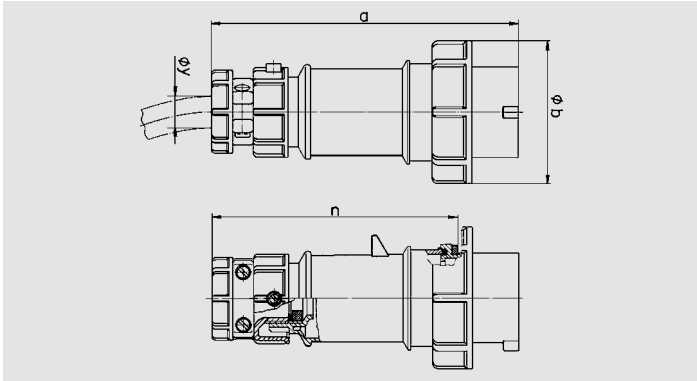
**Inlets
100 Amp**


For Back Box Information see page 57.

2 Pole 3 Wire	125	ME 3100B4W
	250	ME 3100B6W
	480	ME 3100B7W
3 Pole 4 Wire	125/250	ME 4100B12W
	3Ø250	ME 4100B9W
	3Ø480	ME 4100B7W
	3Ø600	ME 4100B5W
4 Pole 5 Wire	3ØY120/208	ME 5100B9W
	3ØY277/480	ME 5100B7W
	3ØY347/600	ME 5100B5W

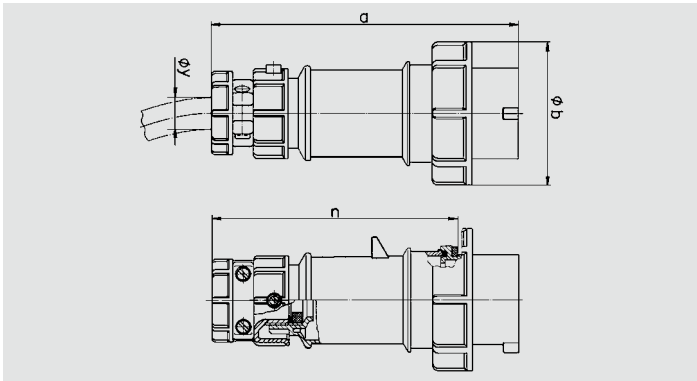
Series 309 - Pin & Sleeve Devices. Plugs

20 Amp - 100 Amp
Watertight



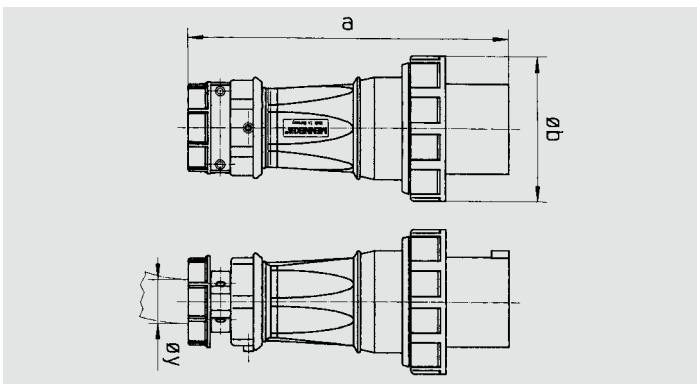
Approximate Dimensions (in inches)

	Wire Configuration		
	2 Pole, 3 Wire	3 Pole, 4 Wire	4 Pole, 5 Wire
a	6.40	6.69	7.28
b	2.76	3.07	3.47
n	4.96	5.26	5.97
y			
Cord Diameter	.36-.76	.36-.76	.45-.94
Threaded Entry (NPT)	3/4	3/4	1



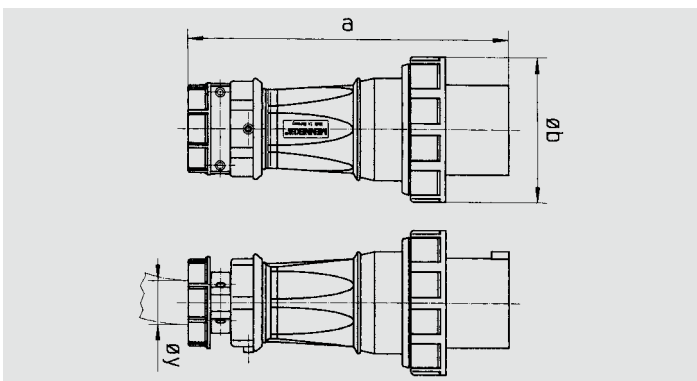
Approximate Dimensions (in inches)

	Wire Configuration		
	2 Pole, 3 Wire	3 Pole, 4 Wire	4 Pole, 5 Wire
a	7.80	7.80	8.43
b	3.70	3.70	3.98
n	6.14	6.14	6.77
y			
Cord Diameter	.43-.94	.43-.94	.43-1.12
Threaded Entry (NPT)	1	1	1 1/4



Approximate Dimensions (in inches)

	Wire Configuration		
	2 Pole, 3 Wire	3 Pole, 4 Wire	4 Pole, 5 Wire
a	9.69	9.69	9.69
b	4.49	4.49	4.49
y			
Cord Diameter	.57-1.42	.57-1.42	.57-1.42
Threaded Entry (NPT)	1 1/2	1 1/2	1 1/2



Approximate Dimensions (in inches)

	Wire Configuration		
	2 Pole, 3 Wire	3 Pole, 4 Wire	4 Pole, 5 Wire
a	11.54	11.54	11.54
b	5.16	5.16	5.16
y			
Cord Diameter	.98-1.97	.98-1.97	.98-1.97
Threaded Entry (NPT)	2	2	2

**Plugs
20 Amp**


* Available in splashproof. To order, omit W suffix.

Wire Configuration	Voltage	Catalog Number*
2 Pole 3 Wire	125	ME 320P4W
	250	ME 320P6W
	480	ME 320P7W
3 Pole 4 Wire	125/250	ME 420P12W
	3Ø250	ME 420P9W
	3Ø480	ME 420P7W
	3Ø600	ME 420P5W
4 Pole 5 Wire	3ØY120/208	ME 520P9W
	3ØY277/480	ME 520P7W
	3ØY347/600	ME 520P5W

**Plugs
30 Amp**


* Available in splashproof. To order, omit W suffix.

2 Pole 3 Wire	125	ME 330P4W
	250	ME 330P6W
	480	ME 330P7W
3 Pole 4 Wire	125/250	ME 430P12W
	3Ø250	ME 430P9W
	3Ø480	ME 430P7W
	3Ø600	ME 430P5W
4 Pole 5 Wire	3ØY120/208	ME 530P9W
	3ØY277/480	ME 530P7W
	3ØY347/600	ME 530P5W

**Plugs
60 Amp**


* Available in splashproof. To order, omit W suffix.

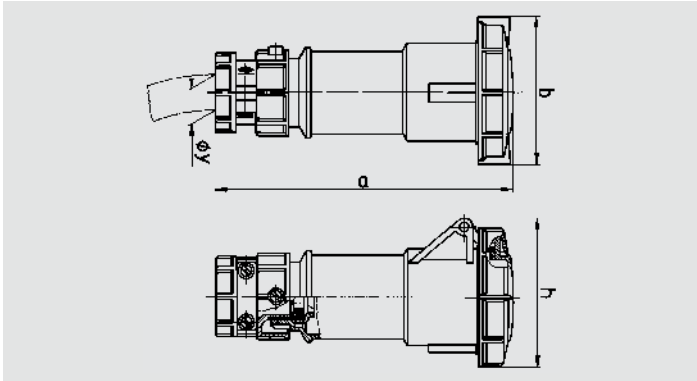
2 Pole 3 Wire	125	ME 360P4W
	250	ME 360P6W
	480	ME 360P7W
3 Pole 4 Wire	125/250	ME 460P12W
	3Ø250	ME 460P9W
	3Ø480	ME 460P7W
	3Ø600	ME 460P5W
4 Pole 5 Wire	3ØY120/208	ME 560P9W
	3ØY277/480	ME 560P7W
	3ØY347/600	ME 560P5W

**Plugs
100 Amp**


2 Pole 3 Wire	125	ME 3100P4W
	250	ME 3100P6W
	480	ME 3100P7W
3 Pole 4 Wire	125/250	ME 4100P12W
	3Ø250	ME 4100P9W
	3Ø480	ME 4100P7W
	3Ø600	ME 4100P5W
4 Pole 5 Wire	3ØY120/208	ME 5100P9W
	3ØY277/480	ME 5100P7W
	3ØY347/600	ME 5100P5W

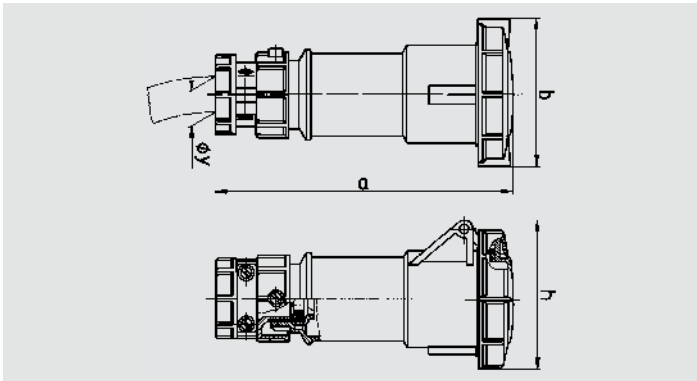
Series 309 - Pin & Sleeve Devices.
Connectors

20 Amp - 100 Amp
Watertight



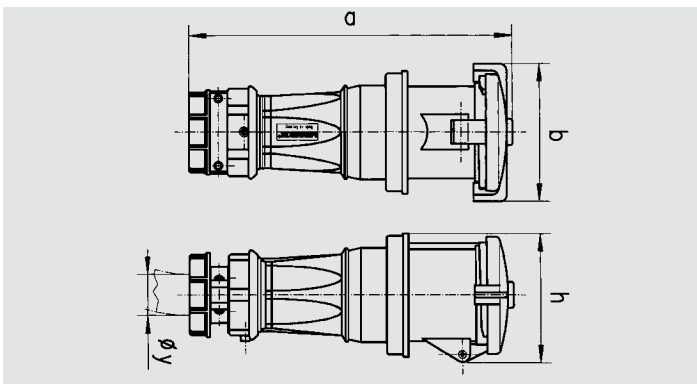
Approximate Dimensions (in inches)

	Wire Configuration		
	2 Pole, 3 Wire	3 Pole, 4 Wire	4 Pole, 5 Wire
a	6.85	7.28	7.92
b	2.84	3.11	3.47
h	3.11	3.47	3.74
y			
Cord Diameter	.36-.76	.36-.76	.45-.94
Threaded Entry (NPT)	3/4	3/4	1



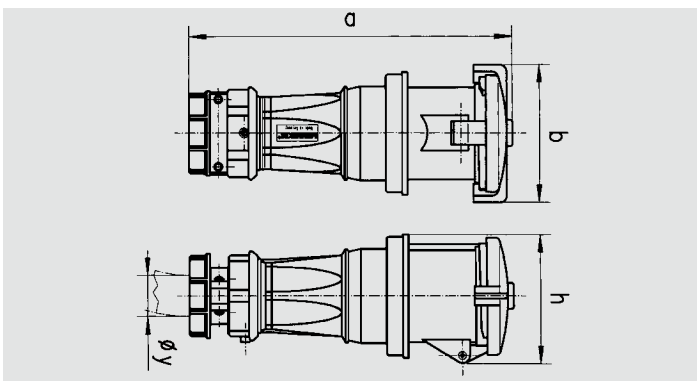
Approximate Dimensions (in inches)

	Wire Configuration		
	2 Pole, 3 Wire	3 Pole, 4 Wire	4 Pole, 5 Wire
a	8.78	8.78	9.18
b	3.78	3.78	4.02
h	3.90	3.90	4.17
y			
Cord Diameter	.43-.94	.43-.94	.43-1.12
Threaded Entry (NPT)	1	1	1 1/4



Approximate Dimensions (in inches)

	Wire Configuration		
	2 Pole, 3 Wire	3 Pole, 4 Wire	4 Pole, 5 Wire
a	10.39	10.39	10.39
b	4.65	4.65	4.65
h	4.45	4.45	4.45
y			
Cord Diameter	.57-1.42	.57-1.42	.57-1.42
Threaded Entry (NPT)	1 1/2	1 1/2	1 1/2



Approximate Dimensions (in inches)

	Wire Configuration		
	2 Pole, 3 Wire	3 Pole, 4 Wire	4 Pole, 5 Wire
a	12.60	12.60	12.60
b	5.31	5.31	5.31
h	4.88	4.88	4.88
y			
Cord Diameter	.98-1.97	.98-1.97	.98-1.97
Threaded Entry (NPT)	2	2	2

**Connectors
20 Amp**


* Available in splashproof. To order, omit W suffix.

Wire Configuration	Voltage	Catalog Number*
2 Pole 3 Wire	125	ME 320C4W
	250	ME 320C6W
	480	ME 320C7W
3 Pole 4 Wire	125/250	ME 420C12W
	3Ø250	ME 420C9W
	3Ø480	ME 420C7W
4 Pole 5 Wire	3Ø600	ME 420C5W
	3ØY120/208	ME 520C9W
	3ØY277/480	ME 520C7W
	3ØY347/600	ME 520C5W

**Connectors
30 Amp**


* Available in splashproof. To order, omit W suffix.

2 Pole 3 Wire	125	ME 330C4W
	250	ME 330C6W
	480	ME 330C7W
3 Pole 4 Wire	125/250	ME 430C12W
	3Ø250	ME 430C9W
	3Ø480	ME 430C7W
4 Pole 5 Wire	3Ø600	ME 430C5W
	3ØY120/208	ME 530C9W
	3ØY277/480	ME 530C7W
	3ØY347/600	ME 530C5W

**Connectors
60 Amp**


* Available in splashproof. To order, omit W suffix.

2 Pole 3 Wire	125	ME 360C4W
	250	ME 360C6W
	480	ME 360C7W
3 Pole 4 Wire	125/250	ME 460C12W
	3Ø250	ME 460C9W
	3Ø480	ME 460C7W
4 Pole 5 Wire	3Ø600	ME 460C5W
	3ØY120/208	ME 560C9W
	3ØY277/480	ME 560C7W
	3ØY347/600	ME 560C5W

**Connectors
100 Amp**


2 Pole 3 Wire	125	ME 3100C4W
	250	ME 3100C6W
	480	ME 3100C7W
3 Pole 4 Wire	125/250	ME 4100C12W
	3Ø250	ME 4100C9W
	3Ø480	ME 4100C7W
4 Pole 5 Wire	3Ø600	ME 4100C5W
	3ØY120/208	ME 5100C9W
	3ØY277/480	ME 5100C7W
	3ØY347/600	ME 5100C5W

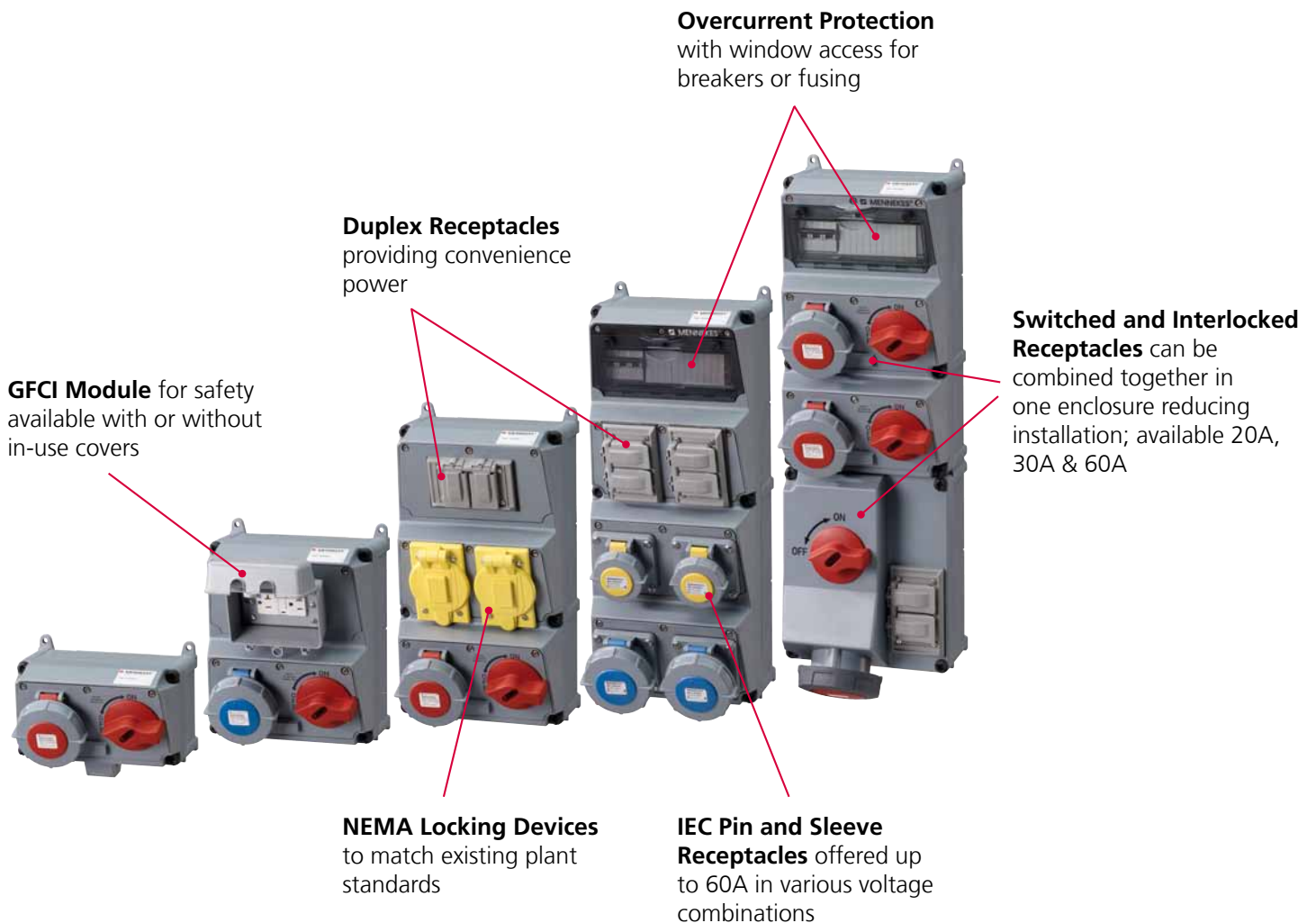
AMAXX® Receptacle Combinations.

The right combination for every application.



AMAXX® Customized Power Distribution.

The AMAXX® enclosure system offers you the perfect solution with our new and innovative modular design. AMAXX® allows you to configure a system for your specific requirements with in-stock modules for fast delivery. Select from several installation options including IEC and NEMA receptacles, overcurrent protection choices and disconnect switches.



Features and benefits

- UL Listed Enclosure and Cabinet – Type 4X; 12; 3R
- Available in a single gang to a five-gang unit
- Non-metallic hinged enclosure for easy access
- Multiple receptacle options including switched and interlocked IEC 60309 styles
- Overcurrent protection available
- Fully customizable for your application with IEC 60309 products or NEMA devices
- Modular design means many units can ship immediately from our stock
- Field installation can be facilitated with pre-wired option from factory

AMAXX® Receptacle Combinations.



The AMAXX® Enclosure System.

All AMAXX® units begin with a blank enclosure; you select the size needed for your application. One AMAXX® unit can replace multiple installations, saving you labor, material and space. AMAXX® gives you total freedom and flexibility with our new and innovative system. With AMAXX®, you can customize quickly, safely and easily to suit any application.

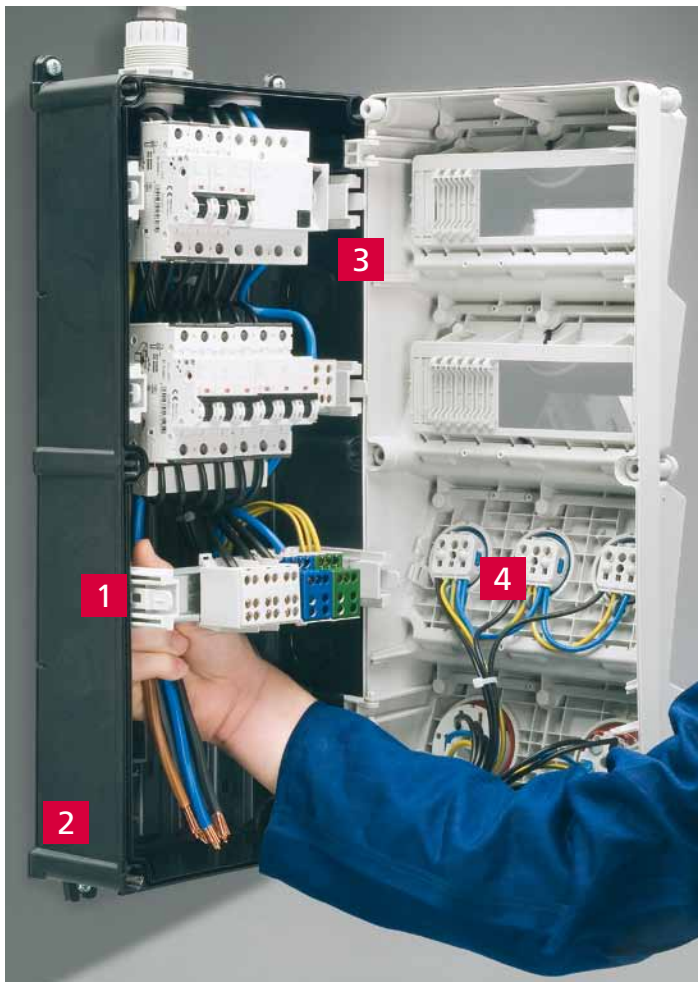
AMAXX®
by MENNEKES



Compliances:

-  Standard 50 – Enclosure and cut-out box
-  to CSA C22.2 No. 94.1
- Environmental: NEMA 4X, 12, 3R
- UL94 – 5V Rating; UV Stabilized Material

Available in a single gang to a five-gang model, AMAXX® non-metallic enclosure and module plates are molded with Valox thermo-plastic material and are rated NEMA 4X. Units can be ganged together or used individually, with each box being hinged for easy access to interior components for quick installation. You can order AMAXX® fully wired or as a kit – choose from several of our standard module options, or order blank plates for field installed components. With AMAXX®, the possibilities are endless.

**1 Adjustable DIN Rails**

DIN rails and generous wiring space facilitates field wiring and terminations.

2 One-man installation

New user-friendly design of molded mounting feet reduces rough-in installation time.

3 Hinged cover

The hinged cover which opens to one side simplifies field wiring.

4 Ready for application

Factory pre-wired combinations are available for quick installation.



- Captive cover screws make opening and closing the enclosure fast and easy.



- Pad-lockable window allows access by only authorized personnel.

AMAXX® Receptacle Combinations.

Please consult factory for your custom solution – the possibilities are endless.



MODULE	FITTED WITH:	
	20A	30A
1	20A 3P 4W 250V IEC 60309 Switched & Interlocked Receptacle	30A 3P 4W 250V IEC 60309 Switched & Interlocked Receptacle
CATALOG NO.	AMX1A-910381	AMX1A-910385

For dimensions see page 20.



MODULE	FITTED WITH:	
	20A	30A
1	20A 3P 4W 480V IEC 60309 Switched & Interlocked Receptacle	30A 3P 4W 480V IEC 60309 Switched & Interlocked Receptacle
CATALOG NO.	AMX1A-910380	AMX1A-910384

For dimensions see page 20.



MODULE	FITTED WITH:	
	20A	30A
1	20A 3P 4W 600V IEC 60309 Switched & Interlocked Receptacle	30A 3P 4W 600V IEC 60309 Switched & Interlocked Receptacle
CATALOG NO.	AMX1A-910383	AMX1A-910386

For dimensions see page 20.



MODULE	FITTED WITH:	
	20A	30A
1 - 2	20A 3P 4W 250V IEC 60309 Switched & Interlocked Receptacle	30A 3P 4W 250V IEC 60309 Switched & Interlocked Receptacle
CATALOG NO.	AMX2A-922087	AMX2A-921499

For dimensions see page 20.

AMAXX® Receptacle Combinations.

Please consult factory for your custom solution – the possibilities are endless.



MODULE	FITTED WITH:	
	20A	30A
1	20A 3P 4W 250V IEC 60309 Switched & Interlocked Receptacle	30A 3P 4W 250V IEC 60309 Switched & Interlocked Receptacle
2	20A 3P 4W 480V IEC 60309 Switched & Interlocked Receptacle	30A 3P 4W 480V IEC 60309 Switched & Interlocked Receptacle
CATALOG NO.	AMX2A-922093	AMX2A-922094

For dimensions see page 20.



MODULE	FITTED WITH:	
	20A	30A
1 - 2	20A 3P 4W 480V IEC 60309 Switched & Interlocked Receptacle	30A 3P 4W 480V IEC 60309 Switched & Interlocked Receptacle
CATALOG NO.	AMX2A-922088	AMX2A-921399

For dimensions see page 20.



MODULE	FITTED WITH:	
	20A	30A
1 - 2	20A 3P 4W 600V IEC 60309 Switched & Interlocked Receptacle	30A 3P 4W 600V IEC 60309 Switched & Interlocked Receptacle
CATALOG NO.	AMX2A-922090	AMX2A-922091

For dimensions see page 20.



MODULE	FITTED WITH:	
	20A	30A
1	5-20R GFCI Receptacle with Metal In-Use Cover	5-20R GFCI Receptacle with Metal In-Use Cover
2	20A 3P 4W 250V IEC 60309 Switched & Interlocked Receptacle	30A 3P 4W 250V IEC 60309 Switched & Interlocked Receptacle
CATALOG NO.	AMX2A-922096	AMX2A-922097

For dimensions see page 20.

AMAXX® Receptacle Combinations.

Please consult factory for your custom solution – the possibilities are endless.



MODULE	FITTED WITH:	
	20A	30A
1	5-20R GFCI Receptacle with Metal In-Use Cover	5-20R GFCI Receptacle with Metal In-Use Cover
2	20A 3P 4W 480V IEC 60309 Switched & Interlocked Receptacle	30A 3P 4W 480V IEC 60309 Switched & Interlocked Receptacle
CATALOG NO.	AMX2A-922099	AMX2A-921400

For dimensions see page 20.



MODULE	FITTED WITH:	
	20A	30A
1 - 3	20A 3P 4W 250V IEC 60309 Switched & Interlocked Receptacle	30A 3P 4W 250V IEC 60309 Switched & Interlocked Receptacle
CATALOG NO.	AMX3A-932977	AMX3A-932239

For dimensions see page 20.



MODULE	FITTED WITH:	
	20A	30A
1 - 3	20A 3P 4W 480V IEC 60309 Switched & Interlocked Receptacle	30A 3P 4W 480V IEC 60309 Switched & Interlocked Receptacle
CATALOG NO.	AMX3A-932976	AMX3A-932238

For dimensions see page 20.



MODULE	FITTED WITH:	
	20A	30A
1 - 3	20A 3P 4W 600V IEC 60309 Switched & Interlocked Receptacle	30A 3P 4W 600V IEC 60309 Switched & Interlocked Receptacle
CATALOG NO.	AMX3A-932978	AMX3A-932974

For dimensions see page 20.

AMAXX® Receptacle Combinations.

Please consult factory for your custom solution – the possibilities are endless.



MODULE	FITTED WITH:	
	20A	30A
1	5-20R GFCI Receptacle with Metal In-Use Cover	5-20R GFCI Receptacle with Metal In-Use Cover
2 - 3	20A 3P 4W 250V IEC 60309 Switched & Interlocked Receptacle	30A 3P 4W 250V IEC 60309 Switched & Interlocked Receptacle
CATALOG NO.	AMX3A-932980	AMX3A-932237

For dimensions see page 20.



MODULE	FITTED WITH:	
	20A	30A
1	2 MCB's 20A, 3p, K	2 MCB's 30A, 3p, K
2 - 3	20A 3P 4W 250V IEC 60309 Switched & Interlocked Receptacle	30A 3P 4W 250V IEC 60309 Switched & Interlocked Receptacle
CATALOG NO.	AMX3A-933222	AMX3A-933224

For dimensions see page 20.



MODULE	FITTED WITH:	
	20A	30A
1	5-20R GFCI Receptacle with Metal In-Use Cover	5-20R GFCI Receptacle with Metal In-Use Cover
2	20A 3P 4W 480V IEC 60309 Switched & Interlocked Receptacle	30A 3P 4W 480V IEC 60309 Switched & Interlocked Receptacle
3	20A 3P 4W 250V IEC 60309 Switched & Interlocked Receptacle	30A 3P 4W 250V IEC 60309 Switched & Interlocked Receptacle
CATALOG NO.	AMX3A-932981	AMX3A-932982

For dimensions see page 20.



MODULE	FITTED WITH:	
	20A	30A
1	5-20R GFCI Receptacle with Metal In-Use Cover	5-20R GFCI Receptacle with Metal In-Use Cover
2 - 3	20A 3P 4W 480V IEC 60309 Switched & Interlocked Receptacle	30A 3P 4W 480V IEC 60309 Switched & Interlocked Receptacle
CATALOG NO.	AMX3A-932979	AMX3A-932236

For dimensions see page 20.

AMAXX® Receptacle Combinations.

Please consult factory for your custom solution – the possibilities are endless.



MODULE	FITTED WITH:	
	20A	30A
1	2 MCB's 20A, 3p, K	2 MCB's 30A, 3p, K
2 - 3	20A 3P 4W 480V IEC 60309 Switched & Interlocked Receptacle	30A 3P 4W 480V IEC 60309 Switched & Interlocked Receptacle
CATALOG NO.	AMX3A-933223	AMX3A-933225

For dimensions see page 20.



MODULE	FITTED WITH:	
	20A	30A
1 - 4	20A 3P 4W 250V IEC 60309 Switched & Interlocked Receptacle	30A 3P 4W 250V IEC 60309 Switched & Interlocked Receptacle
CATALOG NO.	AMX4A-942998	AMX4A-943008

For dimensions see page 20.



MODULE	FITTED WITH:	
	20A	30A
1 - 4	20A 3P 4W 480V IEC 60309 Switched & Interlocked Receptacle	30A 3P 4W 480V IEC 60309 Switched & Interlocked Receptacle
CATALOG NO.	AMX4A-942988	AMX4A-943007

For dimensions see page 20.



MODULE	FITTED WITH:	
	20A	30A
1 - 4	20A 3P 4W 600V IEC 60309 Switched & Interlocked Receptacle	30A 3P 4W 600V IEC 60309 Switched & Interlocked Receptacle
CATALOG NO.	AMX4A-942999	AMX4A-943009

For dimensions see page 20.

AMAXX® Receptacle Combinations.

Please consult factory for your custom solution – the possibilities are endless.



MODULE	FITTED WITH:	
	20A	30A
1 - 2	20A 3P 4W 250V IEC 60309 Switched & Interlocked Receptacle	30A 3P 4W 250V IEC 60309 Switched & Interlocked Receptacle
3 - 4	20A 3P 4W 480V IEC 60309 Switched & Interlocked Receptacle	30A 3P 4W 480V IEC 60309 Switched & Interlocked Receptacle
CATALOG NO.	AMX4A-943000	AMX4A-943010

For dimensions see page 20.



MODULE	FITTED WITH:	
	20A	30A
1	5-20R GFCI Receptacle with Metal In-Use Cover	5-20R GFCI Receptacle with Metal In-Use Cover
2 - 4	20A 3P 4W 250V IEC 60309 Switched & Interlocked Receptacle	30A 3P 4W 250V IEC 60309 Switched & Interlocked Receptacle
CATALOG NO.	AMX4A-943002	AMX4A-943013

For dimensions see page 20.



MODULE	FITTED WITH:	
	20A	30A
1	3 MCB's 20A, 3p, K	3 MCB's 30A, 3p, K
2 - 4	20A 3P 4W 250V IEC 60309 Switched & Interlocked Receptacle	30A 3P 4W 250V IEC 60309 Switched & Interlocked Receptacle
CATALOG NO.	AMX4A-943233	AMX4A-943235

For dimensions see page 20.



MODULE	FITTED WITH:	
	20A	30A
1	5-20R GFCI Receptacle with Metal In-Use Cover	5-20R GFCI Receptacle with Metal In-Use Cover
2	20A 3P 4W 250V IEC 60309 Switched & Interlocked Receptacle	30A 3P 4W 250V IEC 60309 Switched & Interlocked Receptacle
3 - 4	20A 3P 4W 480V IEC 60309 Switched & Interlocked Receptacle	30A 3P 4W 480V IEC 60309 Switched & Interlocked Receptacle
CATALOG NO.	AMX4A-943006	AMX4A-943014

For dimensions see page 20.

AMAXX® Receptacle Combinations.

Please consult factory for your custom solution – the possibilities are endless.



MODULE	FITTED WITH:	
	20A	30A
1	5-20R GFCI Receptacle with Metal In-Use Cover	5-20R GFCI Receptacle with Metal In-Use Cover
2 - 4	20A 3P 4W 480V IEC 60309 Switched & Interlocked Receptacle	30A 3P 4W 480V IEC 60309 Switched & Interlocked Receptacle
CATALOG NO.	AMX4A-943001	AMX4A-943011

For dimensions see page 20.



MODULE	FITTED WITH:	
	20A	30A
1	3 MCB's 20A, 3p, K	3 MCB's 30A, 3p, K
2 - 4	20A 3P 4W 480V IEC 60309 Switched & Interlocked Receptacle	30A 3P 4W 480V IEC 60309 Switched & Interlocked Receptacle
CATALOG NO.	AMX4A-943234	AMX4A-943236

For dimensions see page 20.



MODULE	FITTED WITH:	
	20A	30A
1 - 5	20A 3P 4W 250V IEC 60309 Switched & Interlocked Receptacle	30A 3P 4W 250V IEC 60309 Switched & Interlocked Receptacle
CATALOG NO.	AMX5A-951178	AMX5A-951184

For dimensions see page 20.



MODULE	FITTED WITH:	
	20A	30A
1 - 5	20A 3P 4W 480V IEC 60309 Switched & Interlocked Receptacle	30A 3P 4W 480V IEC 60309 Switched & Interlocked Receptacle
CATALOG NO.	AMX5A-951176	AMX5A-951183

For dimensions see page 20.

AMAXX® Receptacle Combinations.

Please consult factory for your custom solution – the possibilities are endless.



MODULE	FITTED WITH:	
	20A	30A
1 - 5	20A 3P 4W 600V IEC 60309 Switched & Interlocked Receptacle	30A 3P 4W 600V IEC 60309 Switched & Interlocked Receptacle
CATALOG NO.	AMX5A-951179	AMX5A-951185

For dimensions see page 20.



MODULE	FITTED WITH:	
	20A	30A
1	5-20R GFCI Receptacle with Metal In-Use Cover	5-20R GFCI Receptacle with Metal In-Use Cover
2 - 5	20A 3P 4W 250V IEC 60309 Switched & Interlocked Receptacle	30A 3P 4W 250V IEC 60309 Switched & Interlocked Receptacle
CATALOG NO.	AMX5A-951181	AMX5A-951187

For dimensions see page 20.



MODULE	FITTED WITH:	
	20A	30A
1	5-20R GFCI Receptacle with Metal In-Use Cover	5-20R GFCI Receptacle with Metal In-Use Cover
2	20A 3P 4W 250V IEC 60309 Switched & Interlocked Receptacle	30A 3P 4W 250V IEC 60309 Switched & Interlocked Receptacle
3 - 5	20A 3P 4W 480V IEC 60309 Switched & Interlocked Receptacle	30A 3P 4W 480V IEC 60309 Switched & Interlocked Receptacle
CATALOG NO.	AMX5A-951182	AMX5A-951188

For dimensions see page 20.



MODULE	FITTED WITH:	
	20A	30A
1	5-20R GFCI Receptacle with Metal In-Use Cover	5-20R GFCI Receptacle with Metal In-Use Cover
2 - 5	20A 3P 4W 480V IEC 60309 Switched & Interlocked Receptacle	30A 3P 4W 480V IEC 60309 Switched & Interlocked Receptacle
CATALOG NO.	AMX5A-951180	AMX5A-951186

For dimensions see page 20.

Switched and Interlocked Receptacles.

Enhance safety.
Fusible or non-fusible.



MENNEKES® Switched and Interlocked Receptacles.

Switched and Interlocked Receptacles provide safety and durability in one pre-wired unit. Patented interlock mechanism prohibits the switch from being turned "ON" unless the plug is fully inserted. The plug cannot be removed unless the switch is turned "OFF".

DIN rail and screw mounting of components facilitates maintenance.

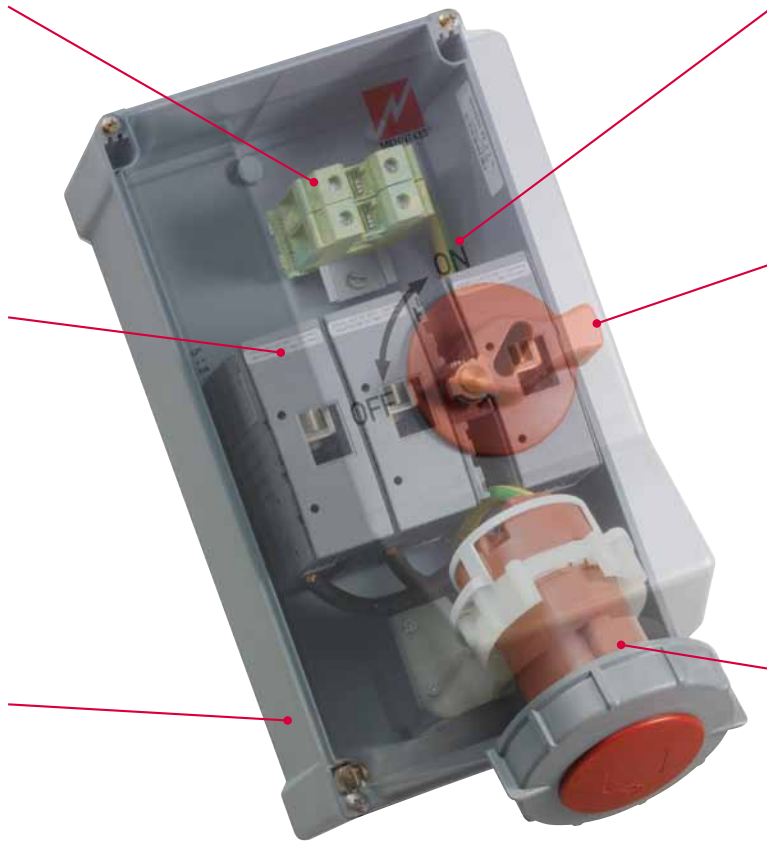
Generous wiring space allows for convenient access to field terminals.

Heavy duty HP Rated switch factory wired to receptacle. Oversized terminals help ease installation.

High visibility, pad-lockable handle actuates switch and receptacle interlock mechanism to assure "no-load" make and break of plug connected equipment.

NEMA 4X Valox enclosure; impact modified and chemical resistant. Features poured-in-place gasketing and molded conduit drillpoints in top, bottom and rear wall.

Thermoplastic receptacle available in 20A, 30A, 60A and 100A IEC 60309 configurations. Compatible with like rated plugs from other manufacturers.



Features and benefits

- **Factory Wired - Single Unit Construction** - Receptacle is pre-wired to the switch for quick installation. Mount with moveable mounting feet to allow for irregular surfaces or utilize the internal mounting tubes when mounting area is limited.
- **Switch** - Available non-fusible and fusible (30A & 60A). Self-cleaning contacts are driven by solid bridge bar to prevent single phasing of motors. Quick-Make/Quick-Break action provides long electrical life. Positive opening operation protects personnel from welded contacts.
- **NEMA 4X; 12 Enclosure** - Uses poured-in seamless gasket and stainless fixing screws for the ultimate seal. Impact modified Valox enclosure is resistant to harsh environments. *Hidden Hinge System* on fusible units eliminates sanitation concerns.
- **Padlockable Handle** - Rugged high visibility design to comply with OSHA LO/TO requirements. (Reg. 1910.147).
- **Auxiliary Contacts** - Full range available in N/O and N/C style.

LockOUT-LET Series

Fusible Interlocked Receptacles

30 & 60 Amp; NEMA 4X; 12



ORDERING INFORMATION

AMP	CONFIGURATION	VOLTAGE	HP RATING STANDARD	HP RATING MAXIMUM *	RECEPTACLE CATALOG NO.	MATING PLUG CATALOG NO.
30	2 Pole, 3 Wire	250	1 1/2	5	ME 330MIF6	ME 330P6W
	3 Pole, 4 Wire	125/250	1/2; 1 1/2	2; 5	ME 430MIF12	ME 430P12W
		3Ø250	3	7.5	ME 430MIF9	ME 430P9W
		3Ø480	5	15	ME 430MIF7	ME 430P7W
3Ø600	7 1/2	20	ME 430MIF5	ME 430P5W		
60	2 Pole, 3 Wire	250	3	10	ME 360MIF6	ME 360P6W
	3 Pole, 4 Wire	125/250	1 1/2; 3	3; 10	ME 460MIF12	ME 460P12W
		3Ø250	7.5	15	ME 460MIF9	ME 460P9W
		3Ø480	15	30	ME 460MIF7	ME 460P7W
		3Ø600	15	30	ME 460MIF5	ME 460P5W
4 Pole, 5 Wire	3ØY120/208	7.5	15	ME 560MIF9	ME 560P9W	
	3ØY277/480	15	30	ME 560MIF7	ME 560P7W	
	3ØY347/600	15	50	ME 560MIF5	ME 560P5W	

* Requires use of Time Delay - Fuses not provided.
Fuse Holders for Type J Fuses, CC Available for 30A Models.

Compliances and Features:

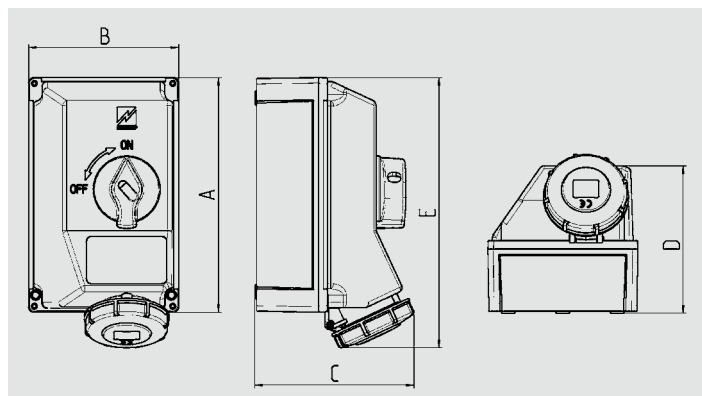
- Standard 98; Enclosed Switches
- to CSA 22.2 No. 4-M89; Enclosed Switches
- Standards 1682; 1686 - Plugs and Receptacles, Pin and Sleeve Style
- IEC 60309-1; IEC 60309-2
- Environmental: NEMA Type 4X; 12
- UL94 - 5V Flame Rating
- UV Stabilized Material
- Switch: 100kAIC Short Circuit Rating
- UL Endurance Test: 6,000 Electrical Cycles, 10,000 Mechanical Cycles
- Removable Type J fuse holders
- Hinged Enclosure for convenient access

AUXILIARY CONTACTS: 10A 600VAC

DESCRIPTION	CATALOG NO.
For 30 Amp, 1 N/O or 1 N/C	ME 30FDAUX
For 60 Amp, 1 N/O and 1 N/C	ME 60FDAUX

REPLACEMENT SWITCHES

DESCRIPTION	CATALOG NO.
30 Amp	ME 30MIFX
60 Amp	ME 60MIFX



Approximate Dimensions (in inches)

	30 AMP	60 AMP
A	10.30	13.00
B	6.56	7.00
C	6.69	9.25
D	6.44	8.38
E	12.00	14.62

LockOUT-LET Series

Non-Fusible Interlocked Receptacles




20, 30 & 60 Amp; NEMA 4X; 12

ORDERING INFORMATION



AMP	CONFIGURATION	VOLTAGE	HP RATING	RECEPTACLE CATALOG NO. *	MATING PLUG CATALOG NO.
20	3 Pole, 4 Wire	125/250	1; 3	ME 420MI12	ME 420P12W
		3Ø250	7.5	ME 420MI9	ME 420P9W
		3Ø480	15	ME 420MI7	ME 420P7W
		3Ø600	15	ME 420MI5	ME 420P5W
30	2 Pole, 3 Wire	125	2	ME 330MI4	ME 330P4W
		250	5	ME 330MI6	ME 330P6W
		480	10	ME 330MI7	ME 330P7W
	3 Pole, 4 Wire	125/250	2; 5	ME 430MI12	ME 430P12W
		3Ø250	10	ME 430MI9	ME 430P9W
		3Ø480	20	ME 430MI7	ME 430P7W
		3Ø600	20	ME 430MI5	ME 430P5W
	4 Pole, 5 Wire	3ØY120/208	7.5	ME 530MI9	ME 530P9W
3ØY277/480		20	ME 530MI7	ME 530P7W	
3ØY347/600		20	ME 530MI5	ME 530P5W	
60	2 Pole, 3 Wire	250	10	ME 360MI6	ME 360P6W
		480	20	ME 360MI7	ME 360P7W
	3 Pole, 4 Wire	125/250	3; 10	ME 460MI12	ME 460P12W
		3Ø250	20	ME 460MI9	ME 460P9W
		3Ø480	40	ME 460MI7	ME 460P7W
		3Ø600	50	ME 460MI5	ME 460P5W
	4 Pole, 5 Wire	3ØY120/208	20	ME 560MI9	ME 560P9W
		3ØY277/480	40	ME 560MI7	ME 560P7W
3ØY347/600		50	ME 560MI5	ME 560P5W	

Compliances and Features:

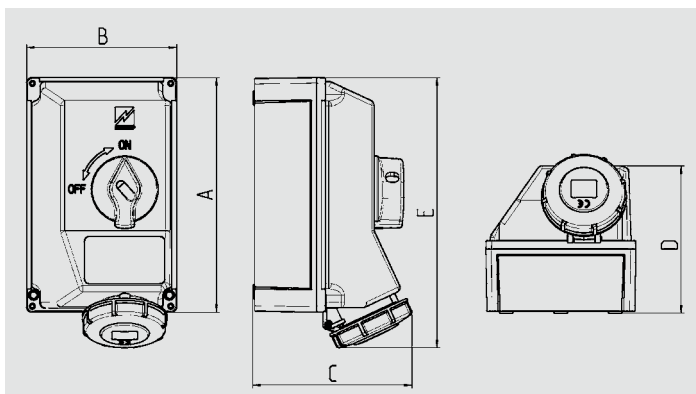
-  Standard 508; Industrial Control Equipment
-  to CSA 22.2 No. 4-M91
-  Standards 1682; 1686 - Plugs and Receptacles, Pin and Sleeve Style
- IEC 60309-1; IEC 60309-2
- Environmental: NEMA Type 4X; 12
- UL94 - 5V Flame Rating
- UV Stabilized Material
- 10kAIC Short Circuit Rating
- UL Endurance Test:
10,000 Electrical Cycles, 15,000 Mechanical Cycles

AUXILIARY CONTACTS: 10A 600VAC

DESCRIPTION	CATALOG NO.
For 20 & 30 Amp, 1 N/O and 1 N/C	ME 30AUX
For 60 Amp, 1 N/O and 1 N/C	ME 80AUX

REPLACEMENT SWITCHES

DESCRIPTION	CATALOG NO.
20 Amp	ME 20MIX
30 Amp	ME 30MIX
60 Amp	ME 60MIX



Approximate Dimensions (in inches)

	20 AMP	30 AMP 3, 4 Wire	30 AMP 5 Wire	60 AMP
A	10.30	10.30	10.30	13.00
B	6.56	6.56	6.56	7.00
C	6.69	6.69	6.69	9.25
D	6.44	6.44	6.44	8.38
E	12.00	12.00	12.00	14.62
Hub size	1	1	1	1 1/4

LockOUT-LET Series

Non-Fusible Interlocked Receptacles

100 Amp; NEMA 4X; 12



ORDERING INFORMATION

AMP	CONFIGURATION	VOLTAGE	HP RATING	CATALOG NO.	PLUG PART NO.
100	2 Pole, 3 Wire	1Ø125	5	ME 3100MI4	ME 3100P4W
		1Ø250	15	ME 3100MI6	ME 3100P6W
		1Ø480	30	ME 3100MI7	ME 3100P7W
	3 Pole, 4 Wire	1Ø 2P 125/250	5/15	ME 4100MI12	ME 4100P12W
			25	ME 4100MI9	ME 4100P9W
		3Ø250	50	ME 4100MI7	ME 4100P7W
			50	ME 4100MI5	ME 4100P5W
	4 Pole, 5 Wire	3ØY120/208	25	ME 5100MI9	ME 5100P9W
			50	ME 5100MI7	ME 5100P7W
50			ME 5100MI5	ME 5100P5W	

Compliances and Features:

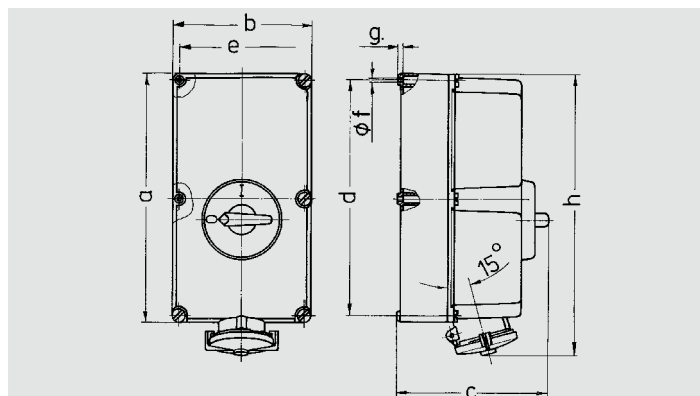
- Standard 508; Industrial Control Equipment
- to CSA 22.2 No. 4-M91
- Standards 1682; 1686 - Plugs and Receptacles, Pin and Sleeve Style
- IEC 60309-1; IEC 60309-2

AUXILIARY CONTACTS: 10A 600VAC

DESCRIPTION	CATALOG NO.
100 Amp; 1 N/O and 1 N/C	ME 80AUX

REPLACEMENT SWITCHES

DESCRIPTION	CATALOG NO.
100 Amp	ME 100MIX



Approximate Dimensions (in inches)

	2 Pole 3 Wire	3 Pole 4 Wire	4 Pole 5 Wire
a	18.11	18.11	18.11
b	10.24	10.24	10.24
c	11.14	11.14	11.14
d	17.09	17.09	17.09
e	9.21	9.21	9.21
f	0.43	0.43	0.43
g	0.35	0.35	0.35
h	20.67	20.67	20.67

FCB Window Series.

Interlocked Receptacles with Fuse or Circuit Breaker Option

20, 30 & 60 Amp; NEMA 4X; 12

ORDERING INFORMATION



AMP	CONFIGURATION	VOLTAGE	MAX. HP RATING *	CATALOG NO. FUSED	CATALOG NO. CIRCUIT BREAKER *	BREAKER RATED INTERRUPTION CAPACITY
20	3 Pole, 4 Wire	125/250	.5; 1	ME 420MIF12-JW	ME 420MICB12-10	10kAIC
		3Ø250	5	ME 420MIF9-JW	ME 420MICB9-6	10kAIC
		3Ø480	10	ME 420MIF7-W	ME 420MICB7-10	6kAIC
30	3 Pole, 4 Wire	125/250	1; 3	ME 430MIF12-JW	ME 430MICB12-10	10kAIC
		3Ø250	7.5	ME 430MIF9-JW	ME 430MICB9-10	10kAIC
		3Ø480	15	ME 430MIF7-JW	ME 430MICB7-6	6kAIC
30	4 Pole, 5 Wire	3ØY120/208	7.5	ME 530MIF9-JW	ME 530MICB9-10	10kAIC
		3ØY277/480	15	ME 530MIF7-JW	ME 530MICB7-10	10kAIC
		3ØY347/600	15	ME 530MIF5-JW		
60	3 Pole, 4 Wire	125/250	2.5; 7.5	ME 460MIF12-jW	ME 460MICB12-10	10kAIC
		3Ø250	15	ME 460MIF9-JW	ME 460MICB9-10	10kAIC
		3Ø480	30	ME 460MIF7-JW	ME 460MICB7-6	6kAIC
60	4 Pole, 5 Wire	3ØY120/208	15	ME 560MIF9-JW	ME 560MICB9-10	10kAIC
		3ØY277/480	30	ME 560MIF7-JW	ME 560MICB7-6	6kAIC

* Requires use of time delay fuses with fused Cat. Nos.

* 3 Wire Configurations Available - consult factory for Cat. Nos.

HMI Series.

Non-Fusible Interlocked Receptacles.

20 Amp; NEMA 4X; 12



ORDERING INFORMATION



AMP	CONFIGURATION	VOLTAGE	HP RATING	CATALOG NO. *	PLUG PART NO.
20	2 Pole, 3 Wire	125	1	ME 320HMI4	ME 320P4W
		250	2.5	ME 320HMI6	ME 320P6W
		480	5	ME 320HMI7	ME 320P7W
20	3 Pole, 4 Wire	125/250	1; 2.5	ME 420HMI12	ME 420P12W
		3Ø250	5	ME 420HMI9	ME 420P9W
		3Ø480	10	ME 420HMI7	ME 420P7W
20	3 Pole, 4 Wire	3Ø600	10	ME 420HMI5	ME 420P5W
		4 Pole, 5 Wire	3ØY120/208	5	ME 520HMI9

* Auxiliary Contact Option. Add suffix M2 to CAT. NO. 1 N/O; 1 N/C .

Compliances and Features:

- Switch:  Standard 508; Industrial Control Equipment
- Receptacles:  Standards 1682; 1686 - Plugs and Receptacles, Pin and Sleeve Style
- IEC 60309-1; IEC 60309-2
- Environmental: NEMA Type 4X; 12
- UL94 - 5V Flame Rating
- UV Stabilized Material

Motor Disconnect Switches.

Non-Metallic
or
Stainless Steel.



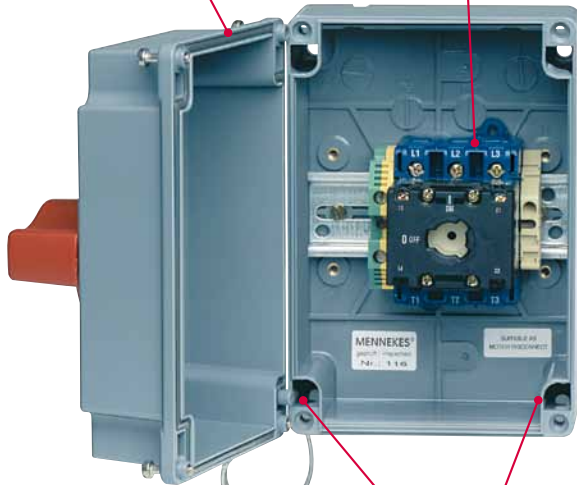
MENNEKES® offers a full line of both Non-Metallic and Stainless Steel Disconnect Switches.

Units range from 20 Amp - 200 Amp and are rated up to 150 HP @ 480Vac. Several enclosure sizes and styles are available to maximize installation and design options.

Poured-in-place gasket never pulls out for a long lasting NEMA 4X seal.

HP rated disconnect switch with top profile auxiliary contacts. DIN rail mounting facilitates installation and service requirements.

Impact modified enclosure is resistant to many chemicals and made with UL 94 V-O flame retardant materials.



Unit shown:
ME 30MS1A-M2

Shown with optional cover retaining strap.

Mounting tubes minimize footprint; mounting feet are not required.



Rugged handle clearly indicates ON/OFF status & complies with OSHA LO/TO regulations.

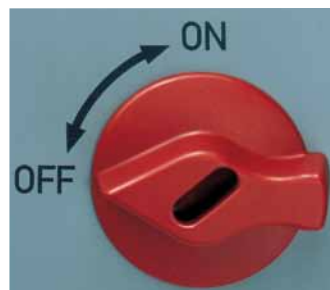
Captive stainless steel fixing screws.

Hidden Hinge System



Available on MS2A enclosure.

High Visibility Handle



Clean design does not "puddle" or hold particles.

Model with Installed Control Switch



Disconnects with 3-position selector switch are factory stocked.

HDI Series

Non-Fusible Motor Disconnect Switches

20 - 200 Amp; NEMA 4X; 12

ORDERING INFORMATION



RATED CURRENT 600V MAX.	HP RATINGS			CATALOG NO. (WITH AUX. CONTACTS)	INSTALLED SELECTOR SWITCH OPTIONS
	3Ø240V	3Ø480V	3Ø600V		
STANDARD ENCLOSURE					
25A	3	5	5	ME 20MS1A-M2	ME 20MS4A-M2PSX
30A	7.5	15	15	ME 30MS1A-M2	-
30A	5	10	10	ME 32MS1A-M2	ME 30MS4A-M2PSX
40A	10	20	20	ME 40MS1A-M2	-
LARGE ENCLOSURE					
25A	3	5	5	ME 20MS2A-M2	ME 20MS2A-M2PSX
30A	7.5	15	15	ME 30MS2A-M2	ME 30MS2A-M2PSX
40A	10	20	20	ME 40MS2A-M2	ME 40MS2A-M2PSX
80A	20	40	40	ME 80MS2A-M2	ME 80MS2A-M2PSX
100A	25	50	50	ME 100MS2A-M2	ME 100MS2A-M2PSX
125A	40	75	100	ME 125MS3A-M2	-
200A	75	150	200	ME 200MS6A-M2	-

Auxiliary Contacts - 10A@ 600Vac 1 N/O & 1 N/C

Compliances & Performance:

- "Suitable as Motor Disconnect" per 2002 NEC Article 430-109(a)(6)
- Standard 508
- to CSA 22.2 No. 14-M95
- Environmental: NEMA Type 4X; 12
- Flame Rating: UL 94-5VA and VO

- UV Resistance: Enclosure and Handle Materials are UV Stabilized
- In-House Endurance Testing: 10,000 Electrical Cycles / 100,000 Mechanical Cycles
- Minimum Short Circuit Rating per UL: 10,000 RMS Symmetrical Amperes

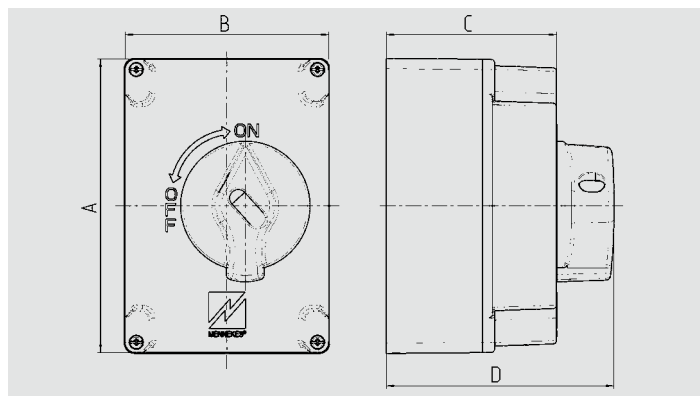
FIELD MOUNTABLE AUXILIARY CONTACT

1 N/O & 1 N/C

FOR MODELS WITH MAX. HP	CATALOG NO.
5 hp & 10 hp	ME 20AUX
15 hp & 20 hp	ME 30AUX
40 hp & 50 hp	ME 80AUX
100 hp	ME 125AUX

REPLACEMENT SWITCHES

RATINGS	CATALOG NO.
5 hp	ME 20XMS1-M2
10 hp	ME 32XMS1-M2
15 hp	ME 30XMS1-M2
20 hp	ME 40XMS1-M2
40 hp	ME 80XMS1-M2
50 hp	ME 100XMS2-M2
75 hp	ME 125XMS3-M2



Approximate Dimensions (in inches)

	STANDARD ENCLOSURE 25 - 40 AMP	LARGE ENCLOSURE 25 - 100 AMP
A	6.69	10.31
B	4.63	6.56
C	3.81	5.03
D	5.23	6.25

For 125A & 200A dimensions, consult factory.

FDS Non-Metallic Series

Fusible Safety Disconnect Switches

30, 60 & 100 Amp; NEMA 4X; 12

ORDERING INFORMATION





AMPERE RATING (GENERAL PURPOSE)	UL FUSE TYPE (NOT PROVIDED)	3 Ø HP RATINGS						CATALOG NO. *
		STANDARD			MAXIMUM *			
		240V	480V	600V	208/240V	480V	600V	
30A	J & CC+	3	5	7.5	7.5	15	20	ME 30FDS2A
60A	J				15	30	50	ME 60FDS3A
100A	J				30	60	75	ME 100FDS3A

* Use CAT. NO. ME 30FDS2A-CC if CC fuse holder is required. Consult factory for delivery.

* Requires fuses with time-delay characteristics if starting current of motor is more than the standard horsepower rating.

Compliances & Performance:

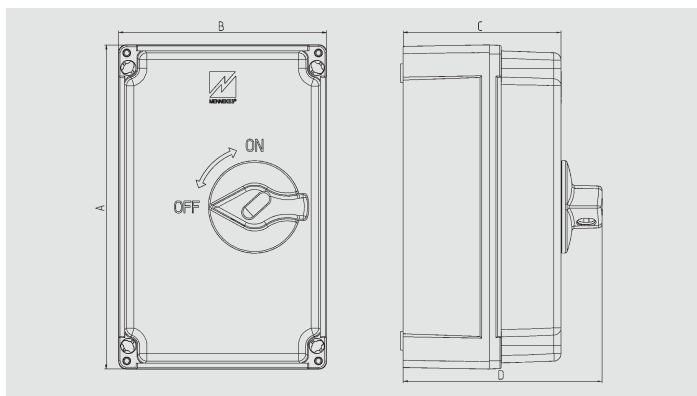
-  Standard 98
-  to CSA 22.2 No. 4-M89, Enclosed Switch
- Environmental: NEMA Type 4X; 12
- Flame Rating: UL 94-5VA and VO
- Continuous Operating Temperature -40°C to +60°C
- UV Resistance: Enclosure and Handle Materials are UV Stabilized
- UL Endurance Test: 6,000 Electrical Cycles / 10,000 Mechanical Cycles
- UL Minimum Short Circuit Rating: 100,000 RMS Symmetrical Amperes with Type J Fuses

AUXILIARY CONTACTS

AMP	TYPE	CATALOG NO.
30	1 N/O or 1 N/C	ME 30FDAUX
60	1 N/O and 1 N/C	ME 60FDAUX
100	1 N/O and 1 N/C	ME 100FDAUX

REPLACEMENT SWITCHES

DESCRIPTION	CATALOG NO.
30 Amp	ME 30XFDSJ
60 Amp	ME 60XFDSJ
100 Amp	ME 100XFDSJ



Approximate Dimensions (in inches)

	30 AMP	60 AMP	100 AMP
A	10	10	14
B	6	8	12
C	5	7	6
D	6	9	8

ST Stainless Steel Series

Non-Fusible Motor Disconnect Switches

20, 30, 60 & 100 Amp; NEMA 4X; 12

ORDERING INFORMATION



AMPERE RATING (GENERAL PURPOSE)	HP RATINGS				CATALOG NO. (WITH AUX. CONTACTS)	REPLACEMENT SWITCH BLOCK (INCLUDES HANDLE)
	240V		480/600V			
	1Ø	3Ø	1Ø	3Ø		
STANDARD ENCLOSURE (ST1A) - SWITCH IS MOUNTED TO HINGED DOOR.						
30A	2.5	5	5	10	ME 30ST1A-M2	ME 30XST1-M2
LARGE ENCLOSURE (ST2A) - SWITCH BLOCK IS MOUNTED TO DIN RAIL. INTERLOCKED HINGED DOOR.						
25A	1.5	3	3	5	ME 20ST2A-M2	ME 20XST2-M2
30A	3	7.5	7.5	15	ME 30ST2A-M2	ME 30XST2-M2
60A	5	10	10	20	ME 60ST2A-M2	ME 60XST2-M2
X-LARGE ENCLOSURE (ST3A) - SWITCH BLOCK IS MOUNTED TO DIN RAIL. INTERLOCKED HINGED DOOR.						
100A	15	25	30	50	ME 100ST3A-M2	ME 100XST3-M2

Auxiliary Contacts - 10A @ 600Vac 1 N/O & 1 N/C
Consult factory for units rated greater than 100A and 50hp max.

Compliances & Performance:

- Standard 508
- Environmental: NEMA Type 4X; 12
- UV Resistance: Handle Material is UV Stabilized
- In-House Endurance Testing: 10,000 Electrical Cycles / 100,000 Mechanical Cycles
- Minimum Short Circuit Rating per UL: 10,000 RMS Symmetrical Amperes

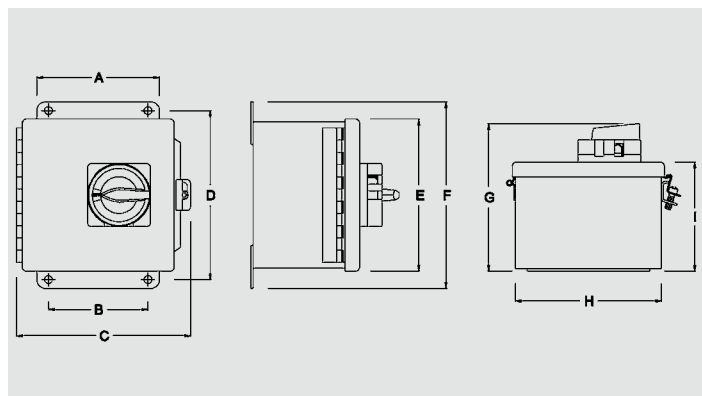
REPLACEMENT HANDLES

DESCRIPTION	CATALOG NO.
ST1A Model	ME ST1-RH
ST2A/ST3A Models	ME ST2-RH

FIELD MOUNTABLE AUXILIARY CONTACT BLOCKS

10A @ 600VAC 1 N/O & 1 N/C

FOR MODELS WITH MAX. HP	CATALOG NO.
5 hp	ME 20AUX
10 hp	ME 30FSAUX
15 hp & 20 hp	ME 30AUX
50 hp	ME 80AUX



Approximate Dimensions (in inches)

	ST1A	ST2A	ST3A
A	3.00	5.00	7.00
B	2.00	4.00	6.00
C	4.94	6.94	8.94
D	6.75	6.75	10.75
E	6.00	6.00	10.00
F	7.50	7.50	11.50
G	5.95	5.95	5.95
H	4.00	6.00	8.00
I	4.35	4.35	4.35

STF Stainless Steel Series

Fusible Safety Disconnect Switches

30 & 60 Amp; NEMA 4X; 12

ORDERING INFORMATION




AMPERE RATING (GENERAL PURPOSE)	UL FUSE TYPE (NOT PROVIDED)	3 Ø HP RATINGS						CATALOG NO. +
		STANDARD			MAXIMUM*			
		240V	480V	600V	208/240V	480V	600V	
30A	J & CC+	3	5	7.5	7.5	15	20	ME 30STF1A
60A	J	7.5	15	15	15	30	50	ME 60STF1A

+ Use CAT. NO. ME 30STF1A-CC if CC fuse holder is required.

* Requires fuses with time-delay characteristics if starting current of motor is more than the standard horsepower.

Compliances & Performance

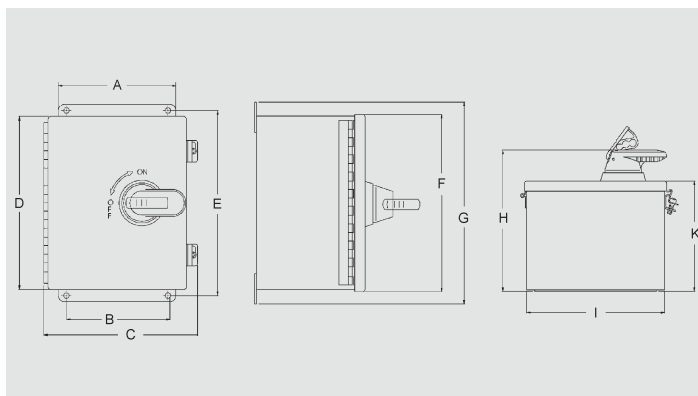
-  Standard 98. Suitable as Branch Circuit Protective Device per NEC Article 430-109(a)(6)
- Environmental: NEMA Type 4X; 12
- Continuous Operating Temperature -40°C to +60°C
- UV Resistance: Handle Material is UV Stabilized
- UL Endurance Test: 6,000 Electrical Cycles / 10,000 Mechanical Cycles
- UL Minimum Short Circuit Rating: 100,000 RMS Symmetrical Amperes with Type J Fuses

AUXILIARY CONTACTS

AMP.	TYPE	CATALOG NO.
30	1 N/O or 1 N/C	ME 30FDAUX
60	1 N/O and 1 N/C	ME 60FDAUX

REPLACEMENT HANDLES

AMP.	CATALOG NO.
30	ME 30XSTF
60	ME 60XSTF



Approximate Dimensions (in inches)

STANDARD ENCLOSURE	
A	6.44
B	6.00
C	9.13
D	10.00
E	10.75
F	10.31
G	11.50
H	8.15
I	8.00
K	6.38

MS Series

Non-Fusible Motor Disconnect Switches


20, 30 & 40 Amp

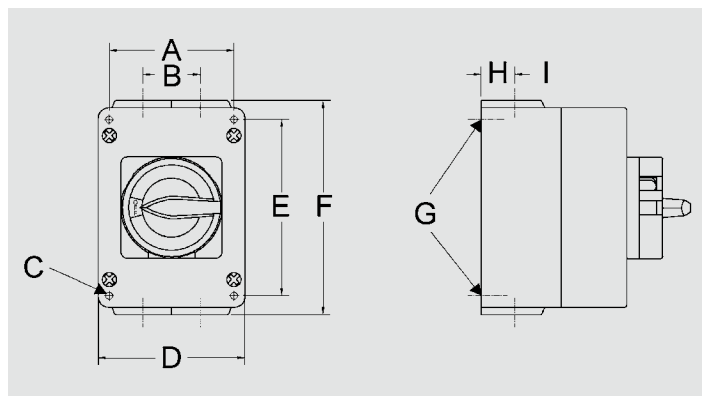


ORDERING INFORMATION

AMP.	HP RATINGS		CATALOG NO. (WITH AUX. CONTACTS)	CATALOG NO. (WITHOUT AUX. CONTACTS)
	3Ø240V	3Ø480/600V		
25	3	5	ME 20MS-M2	ME 20MS
30	7.5	15	ME 30MS-M2	ME 30MS
40	10	20	ME 40MS-M2	ME 40MS

Compliances & Performance:

- Suitable as Motor Disconnect per 1999 NEC Article 430-109(a)(6)
- Switch:  Standard 508
- Padlockable handle complies with OSHA LO/TO regulations



Approximate Dimensions (in inches)

	STANDARD ENCLOSURE
A	3.07
B	1.42
C	Ø 3/16 MTG. HOLES (4)
D	3.62
E	4.33
F	5.31
G	MTG. HOLES (4)
H	0.83
I	3/4" NPT Entry (4)

FS Series

Non-Fusible Motor Disconnect Switches

30 Amp

ORDERING INFORMATION




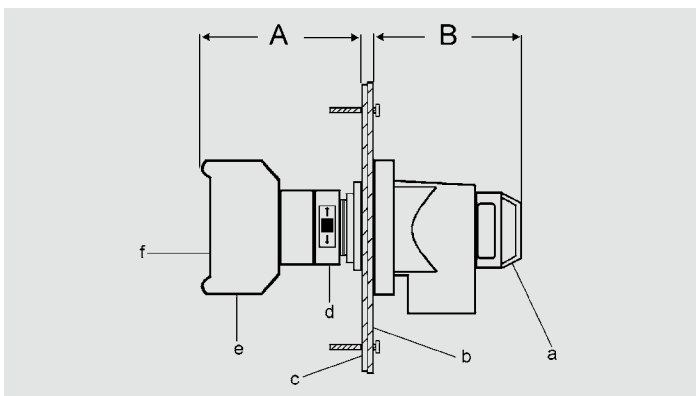
Shown with Weatherproof FS Plate.

AMP.	HP RATINGS						CATALOG NO.			
	120V		240V		480/600V		WITH FS PLATE*		HANDLE AND SWITCH ONLY	
	1Ø	3Ø	1Ø	3Ø	1Ø	3Ø	WITH AUX. CONTACTS	NO AUX. CONTACTS	WITH AUX. CONTACTS	NO AUX. CONTACTS
30	1	2	2.5	5	5	10	ME 30FSP-M2	ME 30FSP	ME 30FS-M2	ME 30FS

* Rated for use in wet and damp locations.

Compliances & Performance:

- Suitable as Motor Disconnect per 1999 NEC Article 430-109(a)(6)
- Switch:  Standard 508
- Padlockable handle complies with OSHA LOTO regulations



Approximate Dimensions (in inches)

	DIMENSIONS	DESCRIPTION
A	2.45	a - padlockable handle
B	2.05	b - FS plate pre-drilled with installed handle c - gasket d - lock/release mechanism to attach switch body to plate and handle

UL 1686 C1 Plugs & MSR Series. Switched & Interlocked Receptacles.

Safer.
Easier.
Better.



MENNEKES® MSR Series Interlocked Receptacles.

Generous wiring space facilitates field installation.

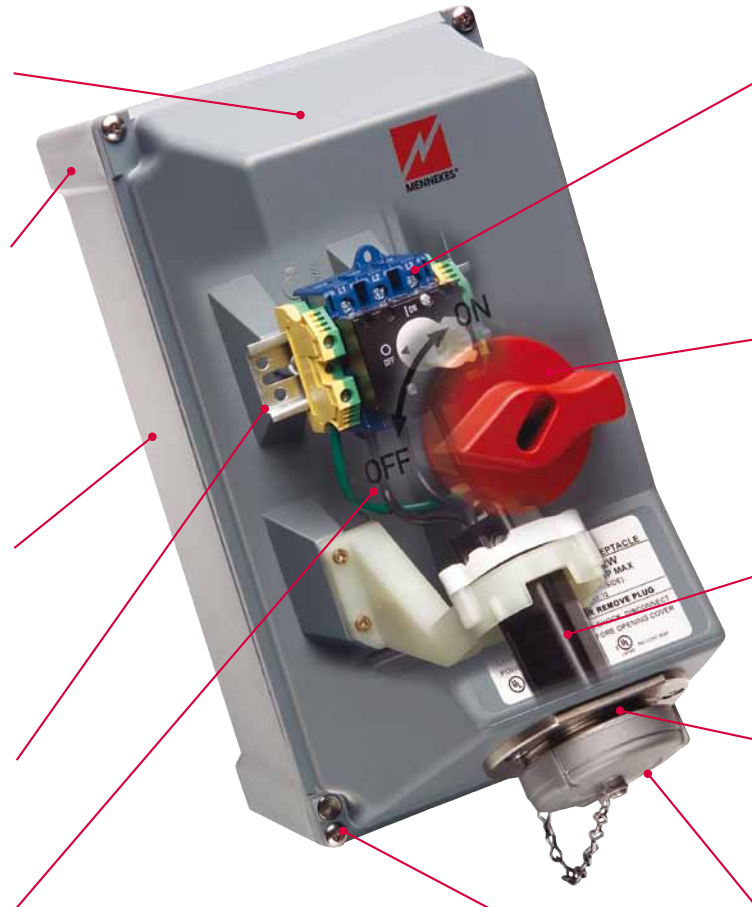
Corner mounting tubes minimize mounting footprint. Moveable mounting feet also provided.



Impact modified NEMA 4X Valox enclosure resistant to harsh environments. Features poured-in-place gasket for the ultimate seal.

DIN rail and screw mounting of components allow for ease of maintenance.

Factory wired, switch to receptacle.



Heavy duty HP rated switch provides convenient access to field wiring terminals.

High visibility, pad-lockable handle actuates switch and receptacle interlock mechanism to assure "no-load" make and break of plug connected equipment.

Thermoset receptacle to UL 1686 C1 configurations; UL Classified for combination use with competing brand plugs.

Threaded stainless steel ring provides NEMA 4X rating with locking plugs.

Dust tight and watertight rated cover; field replaceable.

Hidden hinge system eliminates sanitation concerns.



Features and benefits

- **Factory Wired - Single Unit Construction** - Receptacle is pre-wired to the switch for quick installation. Mount with moveable mounting feet to allow for irregular surfaces or utilize the internal mounting tubes when mounting area is limited.
- **Switch** - Available non-fusible and fusible. Self-cleaning contacts are driven by solid bridge bar to prevent single phasing of motors. Quick-Make/Quick-Break action provides long electrical life. Positive opening operation protects personnel from welded contacts.
- **NEMA 4X;12 Enclosure** - Uses poured-in seamless gasket and stainless fixing screws for the ultimate seal. Impact modified Valox enclosure is resistant to harsh environments. *Hidden Hinge System* eliminates sanitation concerns.
- **Padlockable Handle** - Rugged high visibility design to comply with OSHA LO/TO requirements. (Reg. 1910.147).
- **Auxiliary Contacts** - Full range available in N/O and N/C style.

MSR Series

Fusible Switched & Interlocked Receptacles

30 & 60 Amp

ORDERING INFORMATION



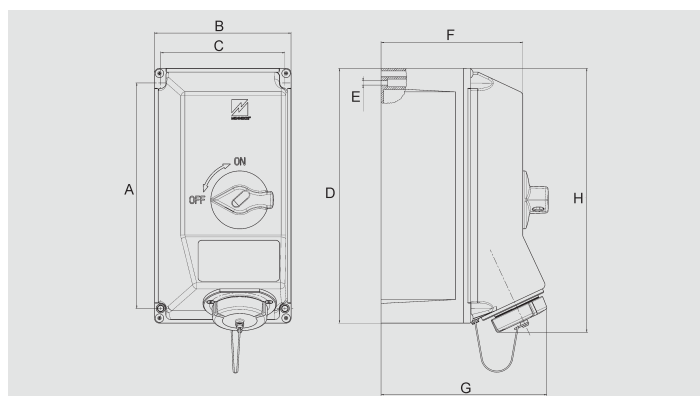
AMP.	CONFIGURATION	VOLTAGE	SINGLE PHASE (VOLTS)		THREE PHASE (VOLTS)				CATALOG NO.	MATING PLUG CATALOG NO.
			120	240	208	240	480	600		
30A	4 Pole, 3 Wire	600	2	3	7.5	7.5	15	20	MSR 430MIFS2W	ME 3034NM
60A	4 Pole, 3 Wire	600	-	7.5	15	15	30	50	MSR 460MIFS2W	ME 6034NM

Ratings

- Receptacles 30A & 60A, 600VAC in 3 Wire, 4 Pole
- Grounding: Style 2
- Switch: Fusible w/Type J Fuse Clips
- Short Circuit: 100kAIC w/Fuses

Compliances & Features:

- Standards 98; 1682 & 1686 C1 Pin and Sleeve Style
- to CSA Standard C22.2 No. 4-M89, Enclosed Switches
- Environmental: NEMA Type 4X, 12
- Housing Material: Valox with Nylon Handle
- Hardware: Stainless Steel and Ni plated Brass
- Insulator: Thermoset Polyester
- Contacts: Brass with Beryllium Copper Spring
- Gasket: Fermapor Polyurethane & NBR
- Receptacle Cover: Cu free Aluminium with Epoxy Power Coat
- UV Stabilized Housing and Gasket Materials



Approximate Dimensions (in inches)

	30A	60A
A	11.50	11.50
B	7.00	7.00
C	6.34	6.34
D	13.00	13.00
E	.20	.20
F	7.23	7.23
G	8.45	8.93
H	13.46	14.45

MSR Series

Non-Fusible Switched & Interlocked Receptacles

30 & 60 Amp

ORDERING INFORMATION





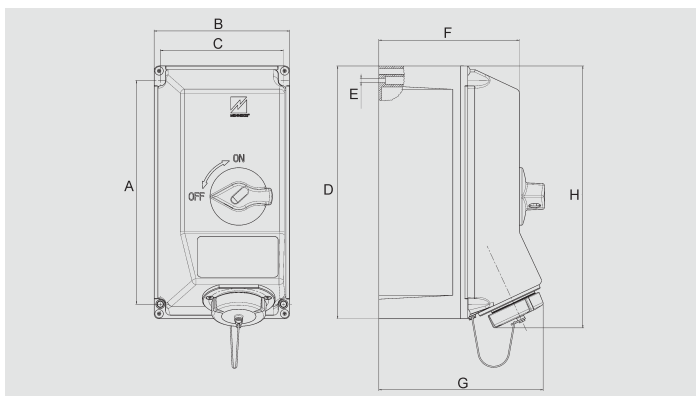
AMP.	CONFIGURATION	VOLTAGE	SINGLE PHASE (VOLTS)		THREE PHASE (VOLTS)				CATALOG NO.	MATING PLUG CATALOG NO.
			120	240	208	240	480	600		
30A	4 Pole, 3 Wire	600	2	5	10	10	20	20	MSR 430MIS2W	ME 3034NM
60A	4 Pole, 3 Wire	600	3	10	20	20	40	50	MSR 460MIS2W	ME 6034NM

Ratings

- Receptacles 30A & 60A, 600VAC in 3 Wire, 4 Pole
- Grounding: Style 2
- Switch: Heavy Duty, 600VAC Capable
- Short Circuit: 10kAIC min. rating

Compliances & Features:

-  Standards 508; 1682 & 1686 C1 Pin and Sleeve Style
-  Certified to CSA Standard C22.2 No. 14-M95
- Environmental: NEMA Type 4X, 12
- Housing Material: Valox with Nylon Handle
- Hardware: Stainless Steel and Ni plated Brass
- Insulator: Thermoset Polyester
- Contacts: Brass with Beryllium Copper Spring
- Gasket: Fermapor Polyurethane & NBR
- Receptacle Cover: Cu free Aluminium with Epoxy Power Coat
- UV Stabilized Housing and Gasket Materials



Approximate Dimensions (in inches)

	30A	60A
A	11.50	11.50
B	7.00	7.00
C	6.34	6.34
D	13.00	13.00
E	.20	.20
F	7.23	7.23
G	8.45	8.93
H	13.46	14.45

AM-Tite Series Non-Metallic Plugs 30 & 60 Amp

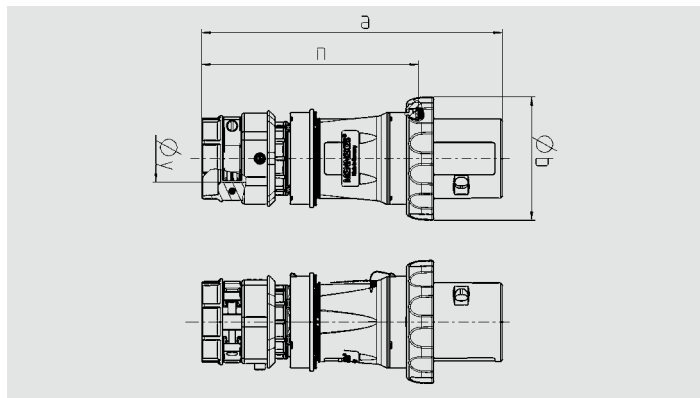


ORDERING INFORMATION

RATINGS	CATALOG NO.
30A 3W 4P 600VAC	ME 3034NM
60A 3W 4P 600VAC	ME 6034NM

Compliances & Features:

- Standards: 1682; 1686; 50E- TYPE 4X;12
- Configuration: 30A & 60A 3W 4P Style 2 Ground (C1)
- Housing Material: Impact Modified PBT Polyester
- Hardware: Stainless Steel or Ni Plated
- Outdoor Use: UV Stabilized Housing and Gasket Materials



Approximate Dimensions (in inches)

	30A	60A
a	7.362	9.646
b	2.481	3.937
n	5.709	6.850
y		
Cord Diameter	.433-.965	.570-1.417



Strain Relief
Assembly accommodates wide cable range which easily threads into NPT housing.

Rugged Housing
Offers outstanding insulation for user safety. Innovative design and engineered materials provide a durable alternative to traditional metal products.

Coarse Rugged Threading
Facilitates quick assembly and eliminates threading issues associated with metal housings.

Sure-grip Rubberized Locking Ring
Provides high impact protection and NEMA 4X Rating.

Accessories and Replacement Parts

Pin & Sleeve Wiring Devices 20 Amp - 100 Amp

Back Box ordering information



DESCRIPTION	METALLIC CATALOG NO.	NPT HUB	ANGLE	NON-METALLIC CATALOG NO.	NPT HUB*	ANGLE
20/30A Inlet & Receptacle	2030BBW	1"	30°	2030BBW-P	1"	15°
60A Receptacle	60BBW-1	1 1/4"	15°	60BBW-P	1 1/4"	15°
60A Inlet	60BBW	2"+	15°	N/A	N/A	N/A
100A Inlet & Receptacle	100BBW	2"+	15°	N/A	N/A	N/A

* HUB not included, Rough-in hole provided.

+ Provided with 1 1/2" reducer.

Protective Cap ordering information



AMP	# OF WIRES	DIMENSIONS (IN INCHES)	CATALOG NO.
20	3	2.76 x 1.61	ME 320CAP
20	4	3.11 x 1.61	ME 420CAP
20	5	3.39 x 1.65	ME 520CAP
30	3, 4	3.58 x 2.01	ME 3430CAP
30	5	3.90 x 2.05	ME 530CAP
60	3, 4, 5	4.25 x 2.87	ME 60CAP
100	3, 4, 5	4.69 x 3.11	ME 100CAP

Plug guard



Lockout / Tagout device for use on any IEC 60309-2 Pin & Sleeve Plug or Inlet.

Catalog No. **MEPG1**

Replacement Switches for Motor Disconnect Switches

FOR MODELS WITH MAX HP	CATALOG NO.
5 hp	ME 20XMS1-M2
10 hp	ME 32XMS1-M2
15 hp	ME 30XMS1-M2
20 hp	ME 40XMS2-M2
40 hp	ME 80XMS2-M2
50 hp	ME 100XMS2-M2

Replacement Covers for Motor Disconnect Switches

ENCLOSURE TYPE	CATALOG NO.
MS1A	ME MS1-RC
MS4A	ME MS4-RC
MS2A	ME MS2-RC
MS5A	ME MS5-RC

Field mountable Auxiliary Contact Blocks 1 N/O & 1 N/C for Motor Disconnect Switches

FOR MODELS WITH MAX HP	CATALOG NO.
5 hp & 10 hp	ME 20AUX
15 hp & 20 hp	ME 30AUX
40 hp & 50 hp	ME 80AUX

Field installable Hinge Kits for Motor Disconnect Switches

ENCLOSURE TYPE	CATALOG NO.
MS1A; MS4A	ME 106061
MS2A; MS5A	ME 19307000

Mounting Feet Kits for Motor Disconnect Switches

ENCLOSURE TYPE	CATALOG NO.
MS1A; MS4A	ME 236MIMF
MS2A; MS5A	ME MS2MF

Industry Applications.

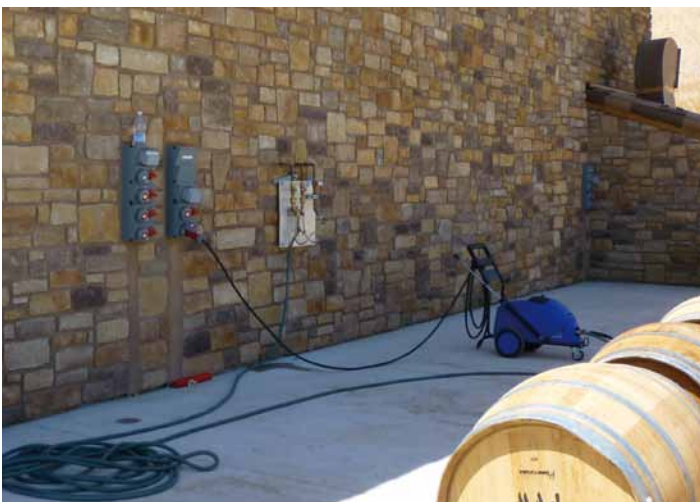


Outdoor – Lockout Applications

Sporting & Entertainment – Food Carts



Winery – Portable Pumps





Welding & Metal Fabrication

Power & Wastewater Plants



Ports & Shipyards

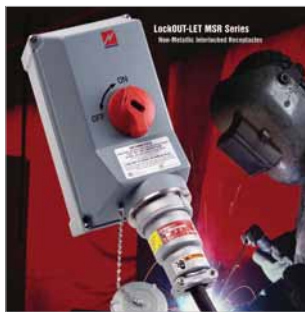
Plugs for the world

Refer to our brochures and catalogs to keep up to date.
Download the latest versions from our website in practical
PDF format or request print copies by phone or E-Mail.

North American Headquarter:
MENNEKES Electrical Products
277 Fairfield Road
USA-Fairfield, N.J. 07004
Tel. (973) 882-8333
Fax (973) 882-5585
E-Mail info@MENNEKES.com
Internet www.MENNEKES.com



AMAXX®.
The right combination for every
application.



LockOUT-LET MSR Series.
Non-Metallic Interlocked
Receptacles.



**Industrial plugs and
receptacles.**
International Wiring Devices.



Plugs for the World.
Full Line Catalog.

Worldwide Headquarter:
MENNEKES
Elektrotechnik GmbH & Co. KG
Industrial plugs and receptacles
Aloys-Mennekes-Str. 1
D-57399 Kirchhundem
Tel. + 49 (0) 27 23 / 41-1
Fax + 49 (0) 27 23 / 41-2 14
E-Mail info@MENNEKES.de
Internet www.MENNEKES.de

Plant Neudorf:
Technoplast GmbH
MENNEKES Straße 1
D-09465 Neudorf / Erzgebirge
Tel. + 49 (0) 3 73 42 / 8 62-0
Fax + 49 (0) 3 73 42 / 8 62-38
E-Mail info@tp-neudorf.de

For further information please visit our homepage:

www.MENNEKES.com

Request brochures by phone at:

(973) 882-8333

Request brochures by E-Mail to:

info@MENNEKES.com

Service by
MENNEKES®.
Always well
informed.