

# ***MECHATRONICS***

DC Fans and Blowers

AC Axial Fans

AC External Rotor/Heavy Duty Fans







AC and DC Cooling  
Fans & Blowers



The Mechatronics Fan Group has been a leading source of AC and DC cooling fans, blowers, added-value assemblies, and cooling solutions since 1985. Our customers in the telecommunications, networking, office automation, home electronics, medical, and industrial sectors depend on the Fan Group for technologically advanced products, superior quality, and exceptional service. Mechatronics cooling products are designed to meet the toughest standards of UL, CSA, TUV, and VDE. Visit our website or call us for product information and the location of a sales office or distributor near you.

[www.mechatronics.com](http://www.mechatronics.com)



*Added-value Fan Assemblies*



*Encapsulated DC Fan Motors*



## Table of Contents

DC Fans and Blowers		Pg #	AC Axial Fans		Pg #
DC Part Numbering System		2	AC Part Numbering System		19
MA2506	(25 x 25 x 6.1 mm) 0.98 x 0.98 x 0.24 in.	3	UF60D	(60 x 60 x 30 mm) 2.36 x 2.36 x 1.18 in.	20
MA3010	(30 x 30 x 10 mm) 1.18 x 1.18 x 0.39 in.		UF80B	(80 x 80 x 25 mm) 3.15 x 3.15 x 0.98 in.	
G4010	(40 x 40 x 10.3 mm) 1.57 x 1.57 x 0.41 in.	4	UF80A	(80 x 80 x 38 mm) 3.15 x 3.15 x 1.50 in.	21
G4015	(40 x 40 x 15 mm) 1.57 x 1.57 x 0.59 in.		UF92B	(92 x 92 x 25 mm) 3.62 x 3.62 x 0.98 in.	
G4020	(40 x 40 x 20 mm) 1.57 x 1.57 x 0.79 in.	5	UF92A	(92 x 92 x 38 mm) 3.62 x 3.62 x 1.5 in.	22
MD4028	(40 x 40 x 28 mm) 1.57 x 1.57 x 1.10 in. - High Performance		UF92AM	(92 x 92 x 38 mm) 3.62 x 3.62 x 1.5 in.	
M5010	(50 x 50 x 10 mm) 1.97 x 1.97 x 0.39 in. - Thin Profile	6	UF12B	(120 x 120 x 25 mm) 4.69 x 4.69 x 0.98 in.	23
M5210	(52 x 52 x 10 mm) 2.04 x 2.04 x 0.39 in.		UF12A	(120 x 120 x 38 mm) 4.69 x 4.69 x 1.50 in.	
G5015	(50 x 50 x 15 mm) 1.97 x 1.97 x 0.59 in.	7	UF12AR	(120 x 120 x 38 mm) 4.69 x 4.69 x 1.50 in.	24
MB6010	(60 x 60 x 10 mm) 2.36 x 2.36 x 0.39 in. - Thin Profile		UF12AM	(120 x 120 x 38 mm) 4.69 x 4.69 x 1.50 in.	
G6015-G	(60 x 60 x 15 mm) 2.36 x 2.36 x 0.60 in.	8	UF13A	(127 x 127 x 38 mm) 5.0 x 5.0 x 1.50 in.	25
MD6020	(60 x 60 x 20 mm) 2.36 x 2.36 x 0.79 in.		UF15AC	(172 x 150 x 38 mm) 6.77 x 5.91 x 1.50 in.	
F6025-H	(60 x 60 x 25 mm) 2.36 x 2.36 x 0.98 in.	9	UF15PC	(172 x 150 x 51 mm) 6.77 x 5.91 x 2.00 in.	26
G8015-G	(80 x 80 x 15 mm) 3.15 x 3.15 x 0.59 in.		UF15KC	(172 x 150 x 55 mm) 6.77 x 5.91 x 2.17 in.	
G8020	(80 x 80 x 20 mm) 3.15 x 3.15 x 0.79 in.	10	UF15KM	(172 x 150 x 55 mm) 6.77 x 5.91 x 2.17 in.	27
F8025-H	(80 x 80 x 25 mm) 3.15 x 3.15 x 0.98 in.		UF17PC	(172 dia x 51 mm) 6.77 dia. x 2.00 in.	
G8032	(80 x 80 x 32 mm) 3.15 x 3.15 x 1.26 in.	11	UF16FC	(160 x 160 x 62 mm) 6.30 x 6.30 x 2.44 in.	28
MC8038	(80 x 80 x 38 mm) 3.15 x 3.15 x 1.50 in. - Ultra-High Performance		UF18JC	(180 x 180 x 90 mm) 7.09 x 7.09 x 3.54 in.	
E9225	(92 x 92 x 25 mm) 3.62 x 3.62 x 0.98 in. - High Performance	12	UF25GC	(254 dia. x 89 mm) 10.0 dia. x 3.5 in.	29
G9225-G	(92 x 92 x 25 mm) 3.62 x 3.62 x 0.98 in.		UF25HC	(254 dia. x 107 mm) 10.0 dia. x 4.21 in.	
G9232	(92 x 92 x 32 mm) 3.62 x 3.62 x 1.24 in.	13			
MD9238	(92 x 92 x 38 mm) 3.62 x 3.62 x 1.50 in. - Ultra-High Performance				
E1225	(120 x 120 x 25 mm) 4.72 x 4.72 x 0.98 in.	14			
G1225	(120 x 120 x 25 mm) 4.72 x 4.72 x 0.98 in. - High Air Flow				
G1238	(120 x 120 x 38 mm) 4.69 x 4.69 x 1.50 in.	15			
MD1238	(120 x 120 x 38 mm) 4.72 x 4.72 x 1.50 in. - Ultra-High Performance				
G1338	(127 x 127 x 38 mm) 5.0 x 5.0 x 1.50 in.	16			
MA1751	(172 x 150 x 50.8 mm) 6.77 x 5.91 x 2.0 in.				
B5015	(51 x 51 x 15 mm) 2.01 x 2.01 x 0.59 in.	17			
B1232	(120 x 120 x 32 mm) 4.70 x 4.70 x 1.24 in.				
Engineering		18			

AC External Rotor/Heavy Duty Fans		Pg #
Part Numbering System		30
UF250BMB-H1	(280 x 280 x 80 mm) 11.0 x 11.0 x 3.15 in.	31
UF200BMB-H2	(225 x 225 x 80 mm) 8.86 x 8.86 x 3.15 in.	32
UF133(91)APA	(133 dia. x 91 mm) 5.22 dia. x 3.60 in.	33
UF180(55)APA	(182 dia. x 55 mm) 7.18 dia. x 2.17 in.	
UF190APA	(190 dia. x 70 mm) 7.48 dia. x 2.75 in.	34
UF190APA-F	(235 dia. x 87.2 mm) 9.25 dia. x 3.43 in.	
UF220APA	(223 dia. x 71 mm) 8.78 dia. x 2.79 in.	35
UF220APA-F	(259 dia. x 97.8 mm) 10.20 dia. x 3.83 in.	
UF225(69)APA	(225 dia. x 69 mm) 8.86 dia. x 2.72 in.	36
UF225(85)APA	(225 dia. x 85 mm) 8.86 dia. x 3.35 in.	
UF225(99)APA	(225 dia. x 99 mm) 8.86 dia. x 3.90 in.	37
UF225(99)APA-F	(259 dia. x 117 mm) 10.20 dia. x 4.62 in.	
UF250APA	(251 dia x 98 mm) 9.90 dia x 3.86 in.	38
UF250APA-F	(259 dia x 131 mm) 10.20 dia x 5.15 in.	
UF318AAA	(318 dia x 154 mm) 12.5 dia x 6.08 in.	39
UF90DPB	(120 x 120 x 37 mm) 4.72 x 4.72 x 1.46 in.	
Finger Guards		40
Conversion Chart		inside back cover

### Warranty, Errors & Omissions

Mechatronics Fan Group of Mechatronics, Inc. assumes no responsibility for errors or omissions in this catalog. Mechatronics reserves the right to change information or specifications without notice. Application and use of this product is the sole responsibility of the user, however our engineering personnel will advise you of guidelines for the proper parameters of use of the product. Mechatronics warrants the product to be free from defects in materials and workmanship only. Sellers only obligation hereunder is to either repair or replace the defective product or work within 12 months of product delivery to our customers. No other warranties are expressed or implied in fact or by law. Mechatronics is not liable for associated costs of work done by the buyer involving our product, or altered product.

## DC Part Numbering System

**F 60 25 E 12 B \_ 1 - F H R - TTL**

### DC Series

A, B, E, F, G, M, . . . etc.

### Frame Size

25: 25 mm    30: 30 mm    40: 40 mm    50: 50, 51 mm  
 52: 52 mm    60: 60 mm    80: 80 mm    92: 92 mm  
 12: 120 mm    13: 127 mm    17: 172 x 150 mm

### Frame Thickness

6: 6.1, 6.2 mm    10: 10 mm    15: 15 mm    20: 20 mm  
 25: 25 mm    32: 32 mm    38: 38 mm    51: 51 mm

### Air Flow Level

S, L, M, H, E, X, U, V

### Voltage

05: 5 VDC    12: 12 VDC    24: 24 VDC    48: 48 VDC

### Bearings

B: Ball    C: 1 Ball & 1 Sleeve    D: Sleeve

### Connection Type

None: UL 1007 or UL1061 lead wires  
 T: 0.110 x 0.020 Faston male terminals (Terminals available on selected models)

### Options

1: Tachometer output  
 2: Locked rotor output  
 3 or 4: Thermistor speed control  
 5: Dual speed  
 6: PWM

### Housing Style

R: Rib style (25, 30, 40, 50, 52, 60, & 80 mm)  
 F: Flanged style (60, 80, 92, 120, 127, 172 mm)  
 B: Blower

### Impeller Style

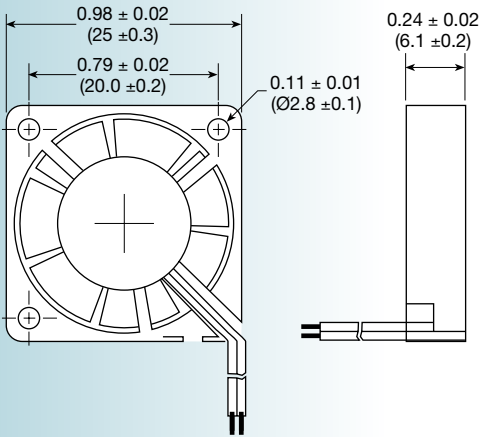
S: Standard  
 H: High-pressure  
 G: Enhanced airflow

### ROHS Compliant

### Special Options

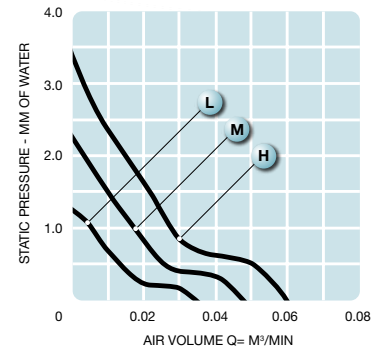
CC: Conformal coated PCB and laminations; silicon based material  
 GB: Enhanced conformal coating process  
 EM: Encapsulated motor and PCB  
 TTL: Tachometer or locked rotor output signal is 5 VDC ±0.5  
 WS: Open collector alarm output signal

## MA2506 series



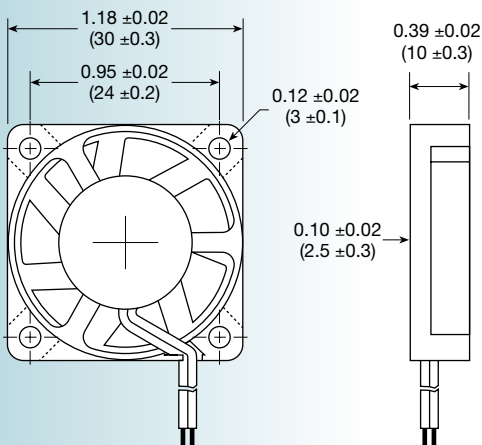
**Size: (25 x 25 x 6.1 mm)**  
**0.98 x 0.98 x 0.24 inches**

- Construction:** UL94V-0 PBT impeller & frame
- Bearing option:** ball bearing or sleeve
- Connection:** AWG 30, UL1007 lead wires
- Frame:** ribbed type
- Protection:** thermal
- Options:** tachometer output signal



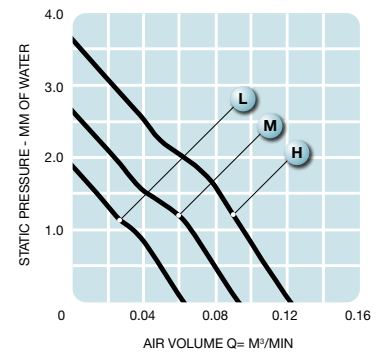
Model No.	Rated Voltage V	Operating Voltage V	Current mA	Revolution RPM	Air Volume		Max. Static Pressure (H <sub>2</sub> O)		Sound Noise dbA	Weight g
					M³/Min.	CFM	MM	INCH		
MA2506L	5	3 - 6.5	50	6,500	0.03	1.22	1.25	0.05	11.0	8
MA2506M	5	3 - 6.5	60	8,500	0.05	1.65	2.30	0.09	19.0	8
MA2506H	5	3 - 6.5	70	10,500	0.06	2.08	3.37	0.13	25.5	8

## MA3010 series



**Size: (30 x 30 x 10 mm)**  
**1.18 x 1.18 x 0.39 inches**

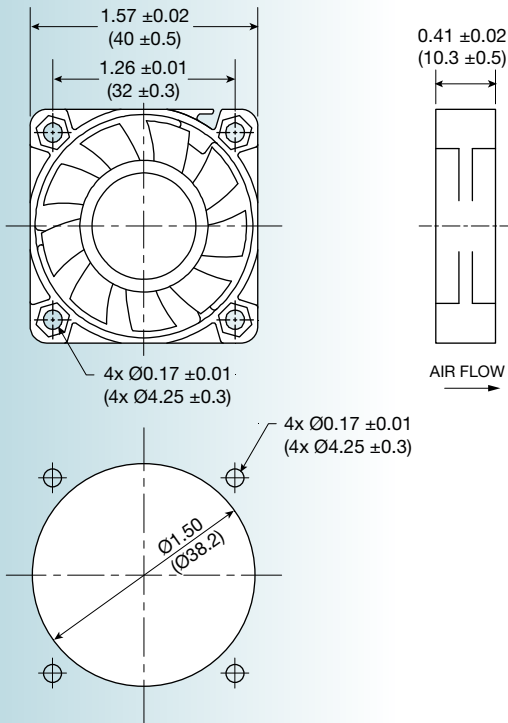
- Construction:** UL94V-0 PBT impeller & frame
- Bearing option:** ball bearing or sleeve
- Connection:** AWG 30, UL1007 lead wires
- Frame:** ribbed
- Protection:** thermal
- Options:** tachometer output signal



Model No.	Rated Voltage V	Operating Voltage V	Current mA	Revolution RPM	Air Volume		Max. Static Pressure (H <sub>2</sub> O)		Sound Noise dbA	Weight g
					M³/Min.	CFM	MM	INCH		
MA3010L	5	3 - 6.5	60	5,000	0.06	2.15	1.85	0.07	15	8
MA3010M	5	3 - 6.5	70	7,000	0.09	3.17	2.64	0.11	21	8
MA3010H	5	3 - 6.5	140	9,000	0.12	4.22	3.77	0.15	28	8
MA3010L	12	7 - 13.8	40	5,000	0.06	2.15	1.85	0.07	15	8
MA3010M	12	7 - 13.8	70	7,000	0.09	3.17	2.64	0.11	21	8
MA3010H	12	7 - 13.8	100	9,000	0.12	4.22	3.77	0.15	28	8

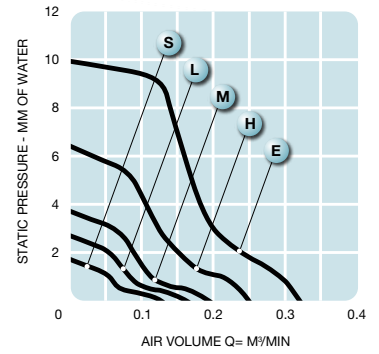


## G4010 series



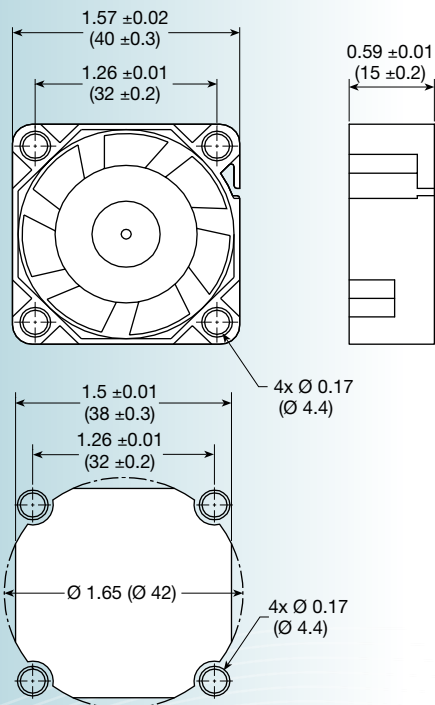
**Size: (40 x 40 x 10.3 mm)**  
**1.57 x 1.57 x 0.41 inches**

- Construction:** UL94V-0 impeller & frame
- Bearing option:** ball bearing
- Connection:** AWG 26, UL1061 lead wires
- Frame:** ribbed
- Protection:** thermal
- Options:** tachometer output or locked rotor alarm signal



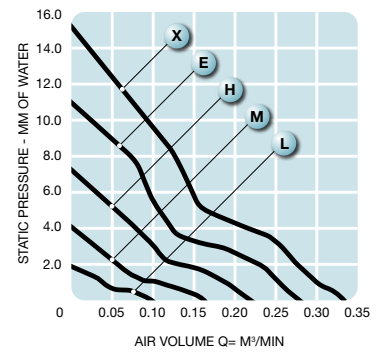
Model No.	Rated Voltage V	Current mA			Revolution RPM	Air Volume		Max. Static Pressure (H <sub>2</sub> O)		Sound Noise dbA	Weight g
		5	12	24		M <sup>3</sup> /Min.	CFM	MM	INCH		
G4010S	5/12	90	60	-	4,000	0.12	4.2	1.20	0.05	21	18
G4010L	5/12/24	140	100	70	5,000	0.16	5.6	2.70	0.11	24	18
G4010M	5/12/24	240	150	100	6,000	0.19	6.7	3.70	0.15	28	18
G4010H	5/12/24	400	220	160	8,000	0.25	8.8	6.40	0.25	35	18
G4010E	12/24	-	350	250	10,000	0.32	11.3	9.90	0.39	41	18

## G4015 series



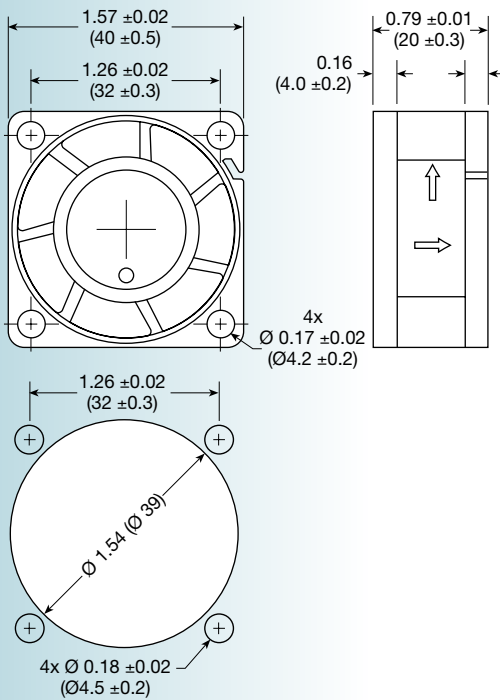
**Size: (40 x 40 x 15 mm)**  
**1.57 x 1.57 x 0.59 inches**

- Construction:** UL94V-0 PBT impeller & frame
- Bearing option:** ball bearing
- Connection:** AWG 26, UL1061 lead wires
- Frame:** ribbed
- Protection:** thermal
- Options:** tachometer output or locked rotor alarm signal



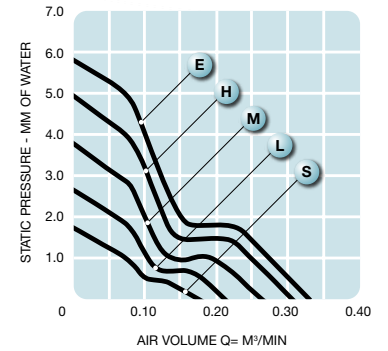
Model No.	Rated Voltage V	Current mA			Revolution RPM	Air Volume		Max. Static Pressure (H <sub>2</sub> O)		Sound Noise dbA	Weight g
		5	12	24		M <sup>3</sup> /Min.	CFM	MM	INCH		
G4015L	5/12/24	200	80	50	4,000	0.10	4.00	1.84	0.07	20	25
G4015M	5/12/24	300	130	70	6,000	0.16	6.00	4.08	0.16	23	25
G4015H	5/12/24	400	200	90	8,000	0.22	8.00	7.24	0.29	29	25
G4015E	12/24	-	270	110	10,000	0.28	10.00	11.02	0.43	35	25
G4015X	12/24	-	350	160	12,000	0.33	12.00	15.31	0.60	39	25

## G4020 series



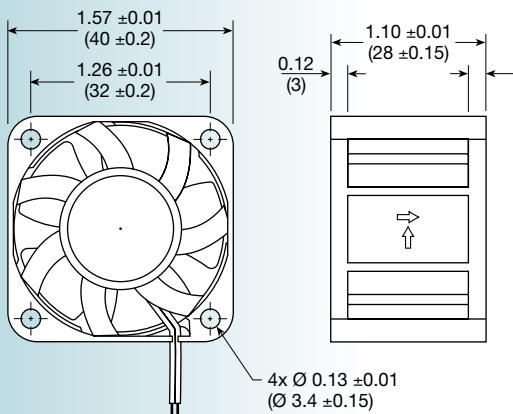
**Size: (40 x 40 x 20 mm)**  
**1.57 x 1.57 x 0.79 inches**

- Construction:** UL94V-0 PBT impeller & frame
- Bearing option:** ball bearing or sleeve
- Connection:** AWG 26, UL1007 lead wires
- Frame:** ribbed
- Protection:** thermal
- Options:** tachometer output or locked rotor alarm signal; encapsulated motor



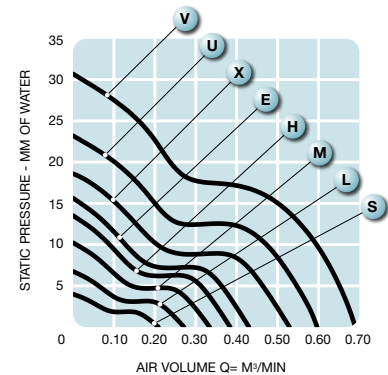
Model No.	Rated Voltage V	Current mA			Revolution RPM	Air Volume		Max. Static Pressure (H <sub>2</sub> O)		Sound Noise dbA	Weight g
		5	12	24		M <sup>3</sup> /Min.	CFM	MM	INCH		
G4020S	5/12	120	50	-	4,000	0.18	6.00	1.74	0.07	21	28
G4020L	5/12	160	70	-	5,000	0.22	8.00	2.66	0.11	23	28
G4020M	5/12/24	220	95	65	6,000	0.26	9.00	3.75	0.15	26	28
G4020H	5/12/24	300	130	80	7,000	0.31	11.00	4.98	0.20	29	28
G4020E	5/12/24	440	160	110	8,000	0.33	11.70	5.81	0.23	32	28

## HIGH PERFORMANCE MD4028 series



**Size: (40 x 40 x 28 mm)**  
**1.57 x 1.57 x 1.10 inches**

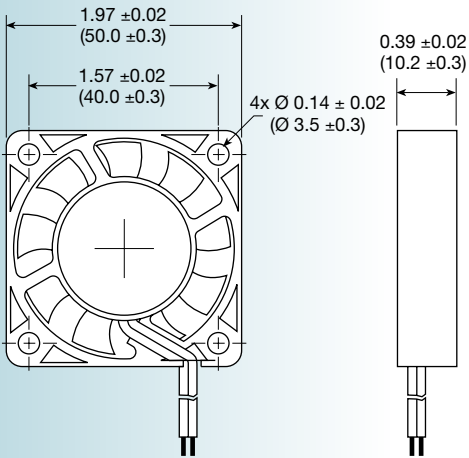
- Features:** **high performance**
- Construction:** UL94V-0 PBT impeller & frame
- Bearing option:** ball bearing
- Connection:** AWG 26, UL1007 lead wires
- Frame:** ribbed
- Protection:** thermal
- Options:** tachometer output or locked rotor alarm signal



Operating temperature range: -10°C ~ 60°C

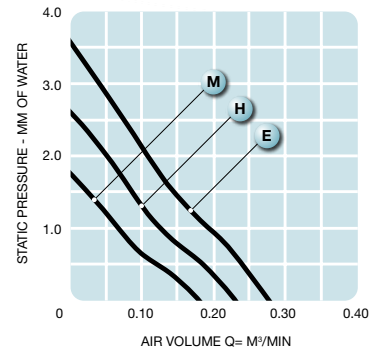
Model No.	Rated Voltage V	Current mA		Revolution RPM	Air Volume		Max. Static Pressure (H <sub>2</sub> O)		Sound Noise dbA	Weight g
		12	24		M <sup>3</sup> /Min.	CFM	MM	INCH		
MD4028S	12/24	70	50	5,000	0.209	7.38	4.05	0.159	30.8	50
MD4028L	12/24	100	70	6,500	0.272	9.59	6.75	0.266	33.2	50
MD4028M	12/24	140	90	8,000	0.335	11.82	10.23	0.403	37.2	50
MD4028H	12/24	210	120	9,200	0.384	13.57	13.53	0.533	41.0	50
MD4028E	12/24	240	140	10,300	0.430	15.19	16.96	0.670	44.0	50
MD4028X	12/24	350	200	11,500	0.529	18.67	17.72	0.709	47.3	50
MD4028U	12	520	-	13,000	0.598	21.11	22.64	0.906	50.0	50
MD4028V	12	650	-	15,000	0.690	24.35	30.14	1.206	53.1	50

## M5010 series



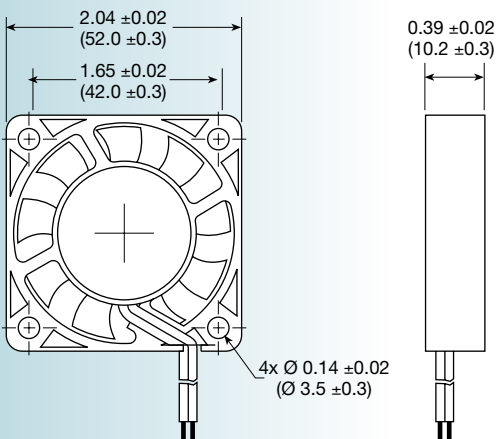
**Size: (50 x 50 x 10 mm)**  
**1.97 x 1.97 x 0.39 inches**

- Construction:* UL94V-0 PBT impeller & frame
- Bearing option:* ball bearing or sleeve
- Connection:* AWG 26, UL1007 lead wires
- Frame:* ribbed
- Protection:* impedance
- Options:* tachometer output signal



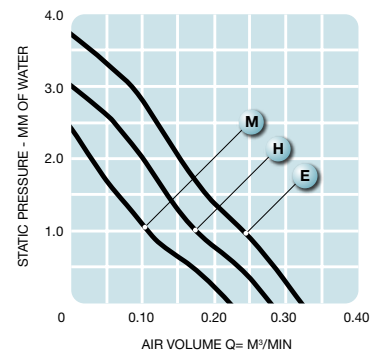
Model No.	Rated Voltage V	Operating Voltage V	Current mA	Revolution RPM	Air Volume		Max. Static Pressure (H <sub>2</sub> O)		Sound Noise dbA	Weight g
					M³/Min.	CFM	MM	INCH		
M5010M	5	3-6.0	60	4,000	0.18	6.36	1.77	0.07	24	20
M5010H	5	3-6.0	80	5,000	0.23	8.12	2.63	0.11	26	20
M5010E	5	3-6.0	150	6,000	0.28	9.89	3.60	0.14	28	20
M5010M	12	7-13.8	60	4,000	0.18	6.36	1.77	0.07	24	20
M5010H	12	7-13.8	70	5,000	0.23	8.12	2.63	0.11	26	20
M5010E	12	7-13.8	120	6,000	0.28	9.89	3.60	0.14	28	20

## M5210 series



**Size: (52 x 52 x 10 mm)**  
**2.04 x 2.04 x 0.39 inches**

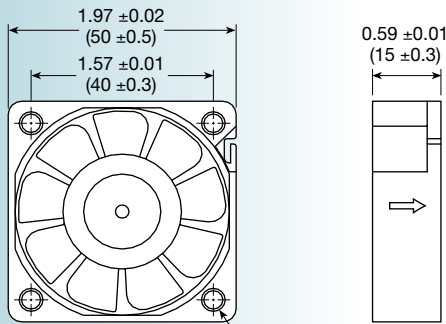
- Construction:* UL94V-0 PBT impeller & frame
- Bearing option:* ball bearing or sleeve
- Connection:* AWG 26, UL1007 lead wires
- Frame:* ribbed
- Protection:* impedance
- Options:* tachometer output signal



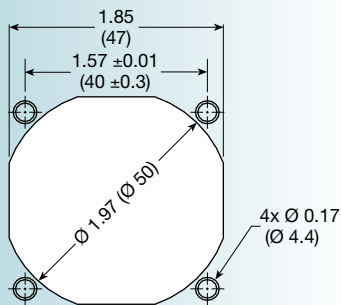
Model No.	Rated Voltage V	Operating Voltage V	Current mA	Revolution RPM	Air Volume		Max. Static Pressure (H <sub>2</sub> O)		Sound Noise dbA	Weight g
					M³/Min.	CFM	MM	INCH		
M5210M	5	3 - 6.0	80	4,000	0.22	7.77	2.40	0.10	24	20
M5210H	5	3 - 6.0	160	5,000	0.28	9.89	3.00	0.12	26	20
M5210M	12	7- 13.8	70	4,000	0.22	7.77	2.40	0.10	24	20
M5210H	12	7- 13.8	100	5,000	0.28	9.89	3.00	0.12	26	20
M5210E	12	7- 13.8	120	6,000	0.32	11.30	3.70	0.15	28	20



## G5015 series

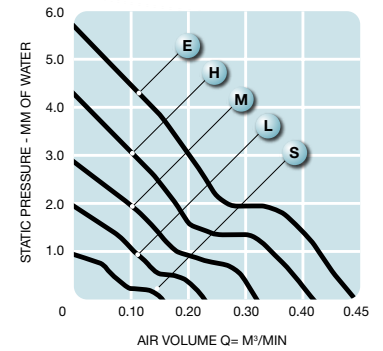


4x  $\varnothing 0.17$   
( $\varnothing 4.4$ )



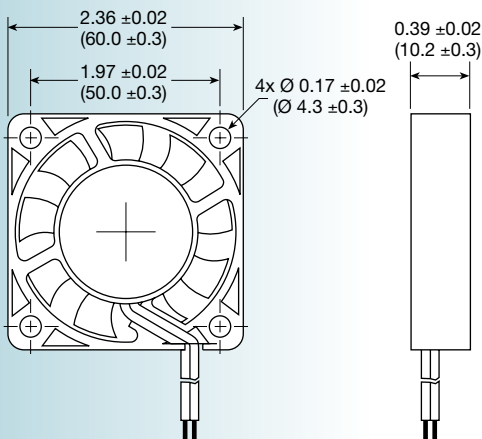
**Size: (50 x 50 x 15 mm)**  
**1.97 x 1.97 x 0.59 inches**

**Construction:** UL94V-0 PBT impeller & frame  
**Bearing option:** ball bearing  
**Connection:** AWG 26, UL1061 lead wires  
**Frame:** ribbed  
**Protection:** thermal  
**Options:** tachometer output or locked rotor alarm signal



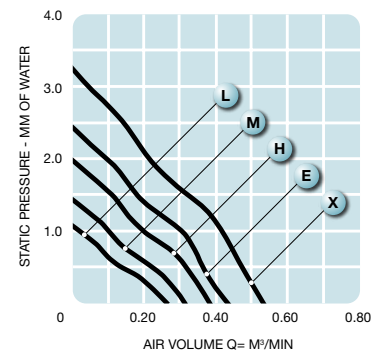
Model No.	Rated Voltage V	Current mA			Revolution RPM	Air Volume		Max. Static Pressure (H <sub>2</sub> O)		Sound Noise dbA	Weight g
		5	12	24		M <sup>3</sup> /Min.	CFM	MM	INCH		
G5015S	5/12/24	150	80	70	2,500	0.15	5.00	0.92	0.04	20	20
G5015L	5/12/24	220	130	100	3,500	0.22	8.00	1.94	0.08	22	20
G5015M	5/12/24	300	200	140	4,500	0.31	11.00	2.86	0.11	24	20
G5015H	5/12/24	400	280	180	5,500	0.37	13.00	4.29	0.17	29	20
G5015E	12/24	-	400	250	6,500	0.44	16.00	5.71	0.22	34	20

## THIN PROFILE MB6010 series



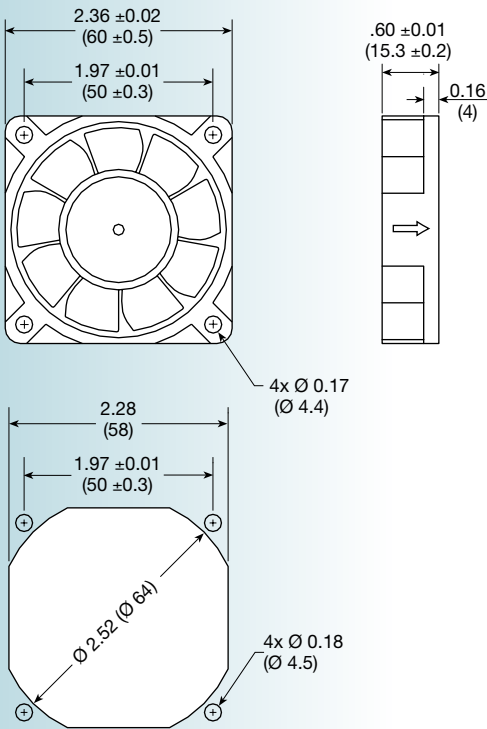
**Size: (60 x 60 x 10 mm)**  
**2.36 x 2.36 x 0.39 inches**

**Features:** *thin profile*  
**Construction:** UL94V-0 PBT impeller & frame  
**Bearing option:** ball bearing or sleeve  
**Connection:** AWG 26, UL1007 lead wires  
**Frame:** ribbed  
**Protection:** impedance  
**Options:** tachometer output signal



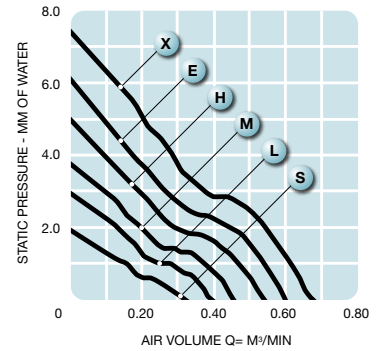
Model No.	Rated Voltage V	Operating Voltage V	Current mA	Revolution RPM	Air Volume		Max. Static Pressure (H <sub>2</sub> O)		Sound Noise dbA	Weight g
					M <sup>3</sup> /Min.	CFM	MM	INCH		
MB6010L	12	6 - 13.8	50	2,700	0.27	9.35	1.07	0.04	19.0	26
MB6010M	12	6 - 13.8	80	3,200	0.31	11.04	1.43	0.06	22.5	26
MB6010H	12	6 - 13.8	120	3,900	0.38	13.48	1.98	0.08	28.0	26
MB6010E	12	6 - 13.8	140	4,400	0.43	15.30	2.43	0.10	30.5	26
MB6010X	12	6 - 13.8	160	5,300	0.53	18.65	3.22	0.13	35.0	26

## G6015-G series



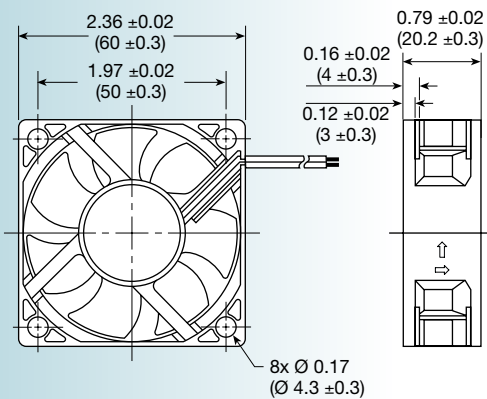
**Size: (60 x 60 x 15 mm)**  
2.36 x 2.36 x 0.60 inches

- Features:** *high static pressure impeller design*
- Construction:** UL94V-0 PBT impeller & frame
- Bearing option:** ball bearing
- Connection:** AWG 26, UL1007 lead wires
- Frame:** ribbed
- Protection:** thermal
- Options:** tachometer output or locked rotor alarm signal; encapsulated motor



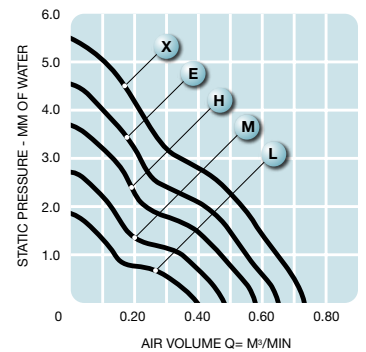
Model No.	Rated Voltage V	Current mA			Revolution RPM	Air Volume		Max. Static Pressure (H <sub>2</sub> O)		Sound Noise dbA	Weight g
		5	12	24		M <sup>3</sup> /Min.	CFM	MM	INCH		
G6015S-G	5/12	90	70	-	2,800	0.32	11.0	1.94	0.08	21	35
G6015L-G	5/12/24	130	90	65	3,400	0.39	14.0	2.96	0.12	25	35
G6015M-G	5/12/24	220	110	75	4,000	0.46	16.0	3.78	0.15	28	35
G6015H-G	5/12/24	280	130	95	4,600	0.54	19.0	5.00	0.20	30	35
G6015E-G	5/12/24	350	180	110	5,200	0.60	21.0	6.12	0.24	32	35
G6015X-G	12/24	-	230	130	5,800	0.68	24.0	7.45	0.29	35	35

## MD6020 series



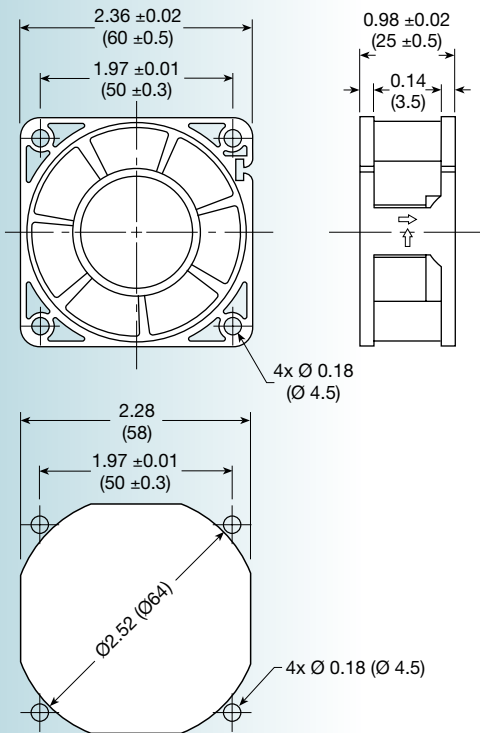
**Size: (60 x 60 x 20 mm)**  
2.36 x 2.36 x 0.79 inches

- Construction:** UL94V-0 PBT impeller & frame
- Bearing option:** ball bearing or sleeve
- Connection:** AWG 26, UL1007 lead wires
- Frame:** ribbed
- Protection:** thermal
- Options:** tachometer output or locked rotor alarm signal



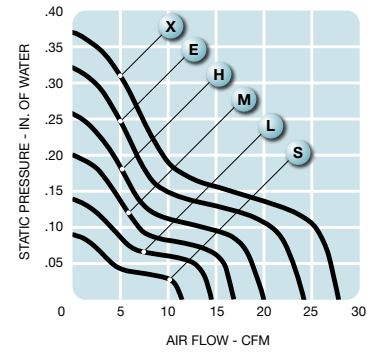
Model No.	Rated Voltage V	Operating Voltage V	Current mA	Revolution RPM	Air Volume		Max. Static Pressure (H <sub>2</sub> O)		Sound Noise dbA	Weight g
					M <sup>3</sup> /Min.	CFM	MM	INCH		
MD6020L	12	6 - 13.8	100	2,700	0.39	13.9	1.88	0.07	23.0	43
MD6020M	12	6 - 13.8	120	3,200	0.48	16.9	2.75	0.11	27.5	43
MD6020H	12	6 - 13.8	160	3,900	0.58	20.4	3.72	0.15	31.0	43
MD6020E	12	6 - 13.8	220	4,400	0.65	23.0	4.56	0.18	33.5	43
MD6020X	12	6 - 13.8	300	4,900	0.73	25.8	5.51	0.22	37.0	43

## F6025-H series



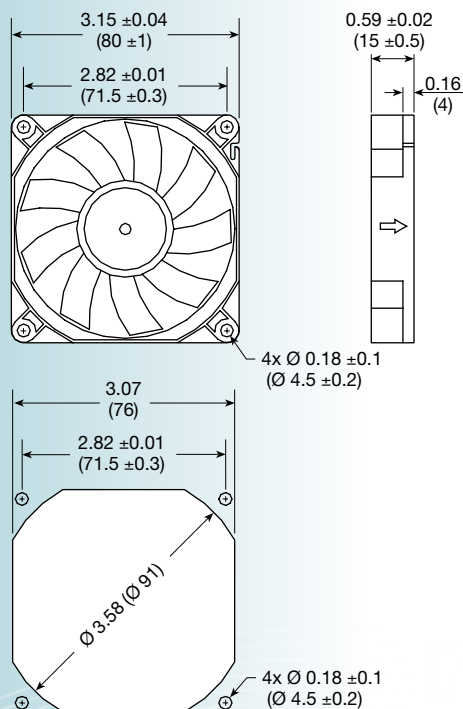
**Size: (60 x 60 x 25 mm)**  
2.36 x 2.36 x 0.98 inches

- Features:** *high pressure impeller design*
- Construction:** UL94V-0 PBT impeller & frame
- Bearing option:** ball bearing
- Connection:** AWG 24, UL1007 lead wires
- Frame:** flanged or ribbed
- Protection:** thermal
- Options:** tachometer output signal; locked rotor alarm signal; thermistor speed control; encapsulated motor



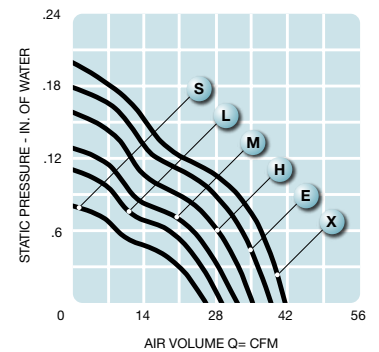
Model No.	Rated Voltage V	Current mA		Revolution RPM	Air Volume		Max. Static Pressure (H <sub>2</sub> O)		Sound Noise dbA	Weight oz
		12	24		M <sup>3</sup> /Min.	CFM	MM	INCH		
F6025S-H	12/24	75	40	2,400	0.33	12	2.25	0.09	22	2.47
F6025L-H	12/24	85	45	3,000	0.39	14	3.50	0.14	25	2.47
F6025M-H	12/24	95	55	3,600	0.48	17	5.00	0.20	28	2.47
F6025H-H	12/24	140	80	4,200	0.57	20	6.50	0.26	32	2.47
F6025E-H	12/24	230	125	5,000	0.67	24	8.00	0.32	37	2.47
F6025X-H	12/24	330	170	5,800	0.79	28	9.25	0.37	42	2.47

## G8015-G series



**Size: (80 x 80 x 15 mm)**  
3.15 x 3.15 x 0.59 inches

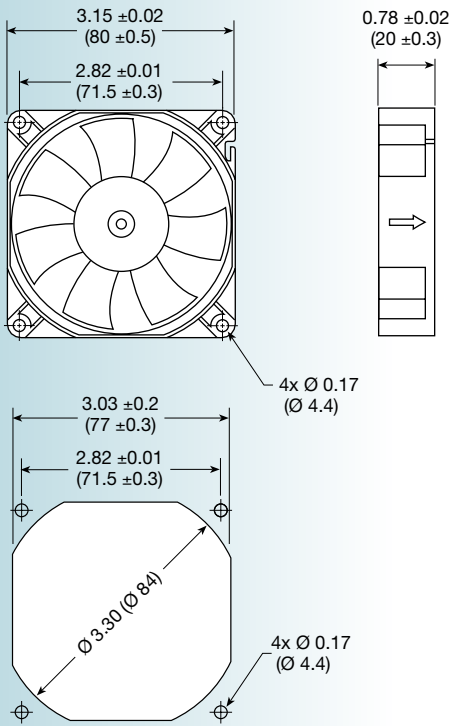
- Features:** *high pressure impeller design*
- Construction:** UL94V-0 PBT impeller & frame
- Bearing option:** ball bearing or sleeve
- Connection:** AWG 26, UL1007 lead wires
- Frame:** ribbed
- Protection:** thermal
- Options:** tachometer output or locked rotor alarm signal; encapsulated motor



Model No.	Rated Voltage V	Current mA			Revolution RPM	Air Volume		Max. Static Pressure (H <sub>2</sub> O)		Sound Noise dbA	Weight oz
		5	12	24		M <sup>3</sup> /Min.	CFM	MM	INCH		
G8015S-G	5/12/24	200	100	80	2,800	0.73	26	2.14	0.08	29	2.25
G8015L-G	5/12/24	280	130	90	3,200	0.82	29	2.74	0.11	32	2.25
G8015M-G	5/12/24	380	180	120	3,600	0.92	32	3.36	0.13	34	2.25
G8015H-G	12/24	-	230	150	4,000	0.99	35	3.97	0.16	36	2.25
G8015E-G	12/24	-	320	180	4,400	1.11	39	4.69	0.18	38	2.25
G8015X-G	12/24	-	350	250	4,800	1.20	42	5.12	0.20	40	2.25

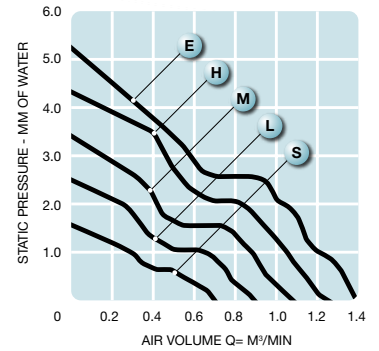


## G8020 series



**Size: (80 x 80 x 20 mm)**  
**3.15 x 3.15 x 0.79 inches**

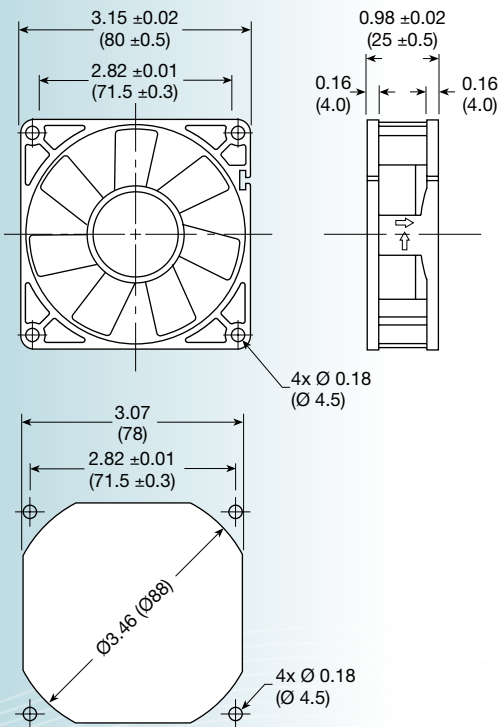
- Construction:** UL94V-0 PBT impeller & frame
- Bearing option:** ball bearing
- Connection:** AWG 26, UL1007 lead wires
- Frame:** ribbed
- Protection:** thermal
- Options:** tachometer output or locked rotor alarm signal



Model No.	Rated Voltage V	Current mA			Revolution RPM	Air Volume		Max. Static Pressure (H <sub>2</sub> O)		Sound Noise dbA	Weight g
		5	12	24		M <sup>3</sup> /Min.	CFM	MM	INCH		
G8020S	5/12/24	200	70	60	2,000	0.69	24	1.53	0.06	22	61
G8020L	5/12/24	300	110	75	2,500	0.88	31	2.45	0.10	25	61
G8020M	5/12/24	400	160	90	3,000	1.07	38	3.37	0.13	29	61
G8020H	12/24	-	230	140	3,500	1.23	43	4.29	0.17	33	61
G8020E	12/24	-	330	200	4,000	1.39	49	5.20	0.20	37	61

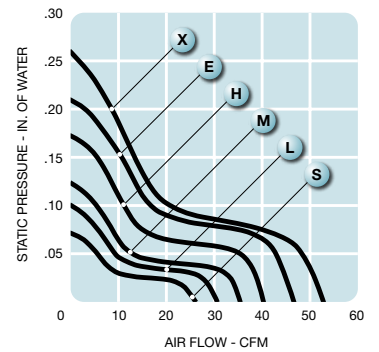
## HIGH PERFORMANCE

## F8025-H series



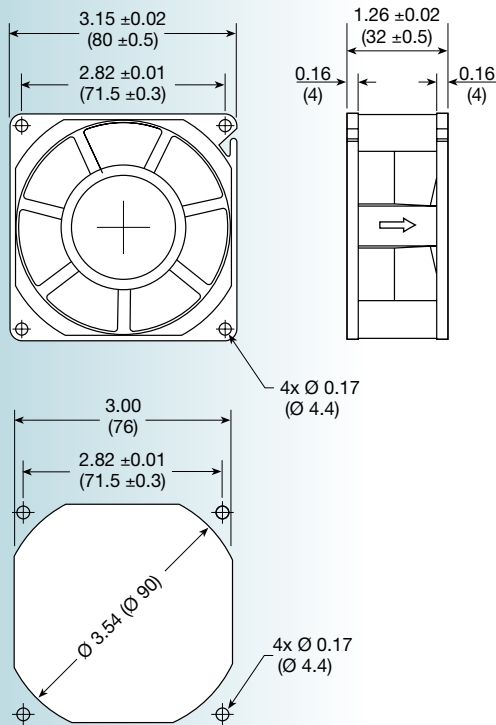
**Size: (80 x 80 x 25 mm)**  
**3.15 x 3.15 x 0.98 inches**

- Features:** *high pressure impeller design*
- Construction:** UL94V-0 PBT impeller & frame
- Bearing option:** ball bearing or sleeve
- Connection:** AWG 24, UL1007 lead wires
- Frame:** flanged or ribbed
- Protection:** thermal
- Options:** tachometer output signal; locked rotor alarm signal; thermistor speed control; encapsulated motor



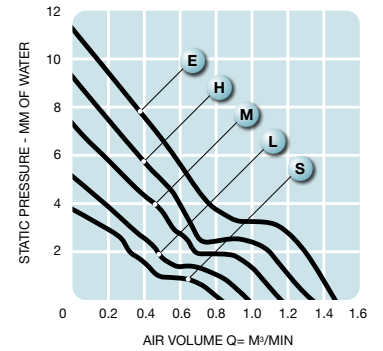
Model No.	Rated Voltage V	Current mA		Revolution RPM	Air Volume		Max. Static Pressure (H <sub>2</sub> O)		Sound Noise dbA	Weight oz
		12	24		M <sup>3</sup> /Min.	CFM	MM	INCH		
F8025S-H	12/24	75	50	2,000	0.73	26	1.75	0.07	22	2.79
F8025L-H	12/24	90	60	2,400	0.87	31	2.50	0.10	26	2.79
F8025M-H	12/24	120	80	2,800	0.99	35	3.00	0.12	29	2.79
F8025H-H	12/24	145	90	3,200	1.13	40	4.25	0.17	32	2.79
F8025E-H	12/24	240	140	3,600	1.30	46	5.25	0.21	35	2.79
F8025X-H	12/24	480	260	4,200	1.50	53	6.50	0.26	39	2.79

## G8032 series



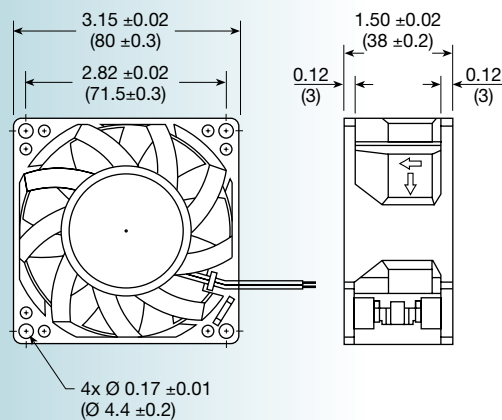
**Size: (80 x 80 x 32 mm)**  
**3.15 x 3.15 x 1.26 inches**

- Construction:** UL94V-0 PBT impeller & frame
- Bearing option:** ball bearing
- Connection:** AWG 24, 1007 lead wires
- Frame:** ribbed
- Protection:** thermal
- Options:** tachometer output or locked rotor alarm signal; encapsulated motor



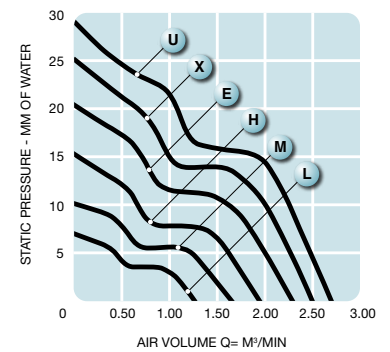
Model No.	Rated Voltage V	Current mA		Revolution RPM	Air Volume		Max. Static Pressure (H <sub>2</sub> O)		Sound Noise dbA	Weight g
		12	24		M <sup>3</sup> /Min.	CFM	MM	INCH		
G8032S	12/24	140	100	2,500	0.82	29	3.77	0.15	30	128
G8032L	12/24	200	150	3,000	0.97	34	5.11	0.20	34	128
G8032M	12/24	260	200	3,500	1.17	41	7.34	0.29	38	128
G8032H	12/24	450	250	4,000	1.35	48	9.33	0.37	42	128
G8032E	12/24	550	330	4,500	1.47	52	11.34	0.45	46	128

## ULTRA HIGH PERFORMANCE MC8038 series



**Size: (80 x 80 x 38 mm)**  
**3.15 x 3.15 x 1.50 inches**

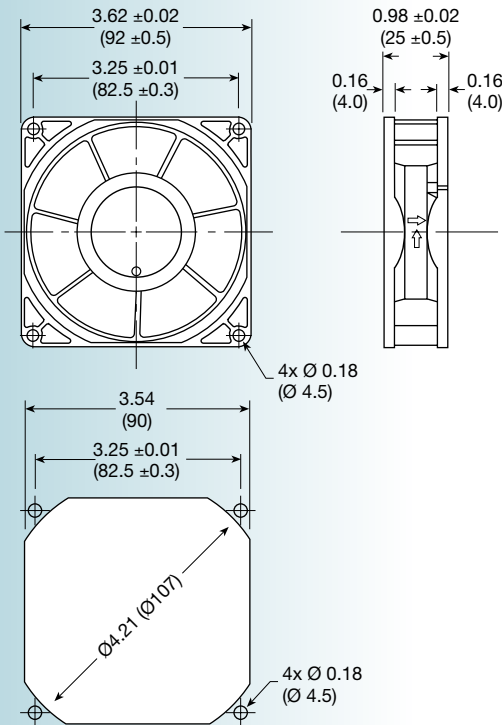
- Features:** **unique high performance design**
- Construction:** UL94V-0 PBT impeller & frame
- Bearing option:** ball bearing
- Connection:** AWG 24, UL1007 lead wires
- Frame:** flanged
- Protection:** thermal
- Options:** tachometer output or locked rotor alarm signal



Operating temperature range: -10°C ~ 60°C

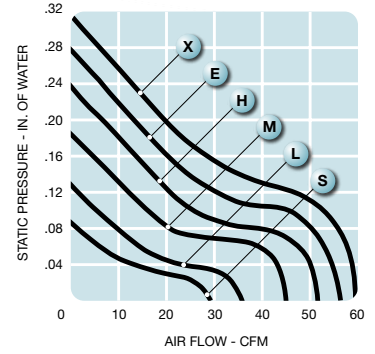
Model No.	Rated Voltage V	Current mA			Revolution RPM	Air Volume		Max. Static Pressure (H <sub>2</sub> O)		Sound Noise dbA	Weight g
		12	24	48		M <sup>3</sup> /Min.	CFM	MM	INCH		
MC8038L	12/24/48	240	140	90	3,400	1.28	45.3	7.23	0.28	39.0	180
MC8038M	12/24/48	370	230	140	4,200	1.63	57.5	10.30	0.41	44.5	180
MC8038H	12/24/48	610	330	190	5,000	1.98	69.9	15.62	0.61	48.2	180
MC8038E	12/24/48	930	450	280	5,800	2.31	81.6	21.38	0.84	52.1	180
MC8038X	12/24	1200	600	-	6,300	2.51	86.6	25.22	0.99	56.4	180
MC8038U	12/24	1500	890	-	6,800	2.71	95.6	29.38	1.15	60.2	180

## HIGH PERFORMANCE E9225 series



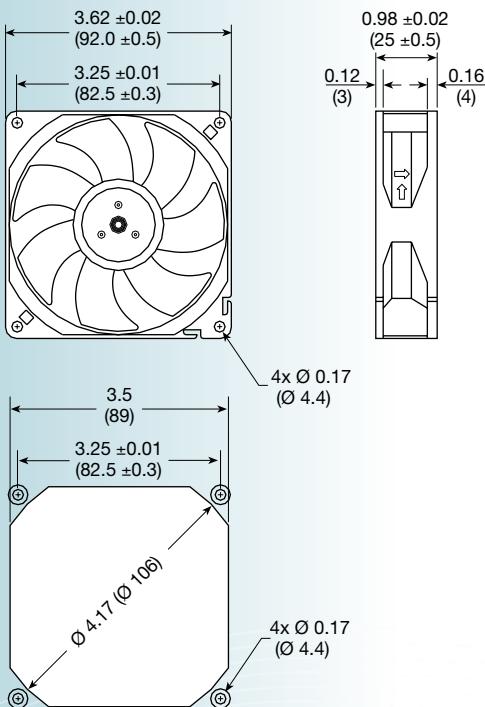
**Size: (92 x 92 x 25 mm)**  
**3.62 x 3.62 x 0.98 inches**

- Features:** *high performance*  
**Construction:** UL94V-0 PBT impeller & frame  
**Bearing option:** ball bearing  
**Connection:** AWG 24, UL1007 lead wires  
**Frame:** flanged  
**Protection:** thermal  
**Options:** tachometer output;  
locked rotor alarm signal;



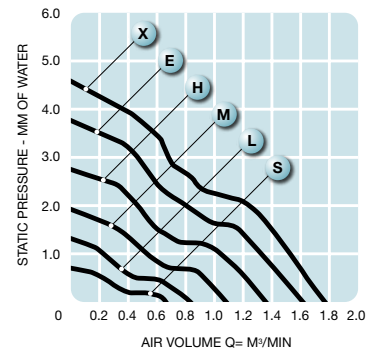
Model No.	Rated Voltage V	Current mA				Revolution RPM	Air Volume		Max. Static Pressure (H <sub>2</sub> O)		Sound Noise dbA	Weight g
		5	12	24	48		M <sup>3</sup> /Min.	CFM	MM	INCH		
E9225S	5/12/24	270	98	60	-	2,000	0.82	29	2.25	0.09	24	111
E9225L	5/12/24	400	150	85	-	2,400	0.99	35	3.25	0.13	27	111
E9225M	5/12/24	560	235	125	-	2,800	1.24	44	4.75	0.19	32	111
E9225H	12/24/48	-	360	168	65	3,200	1.44	51	6.00	0.24	36	111
E9225E	12/24/48	-	489	255	85	3,600	1.58	56	7.00	0.28	39	111
E9225X	12/24/48	-	550	300	130	4,000	1.70	60	8.00	0.32	43	111

## HIGH PERFORMANCE G9225-G series



**Size: (92 x 92 x 25 mm)**  
**3.62 x 3.62 x 0.98 inches**

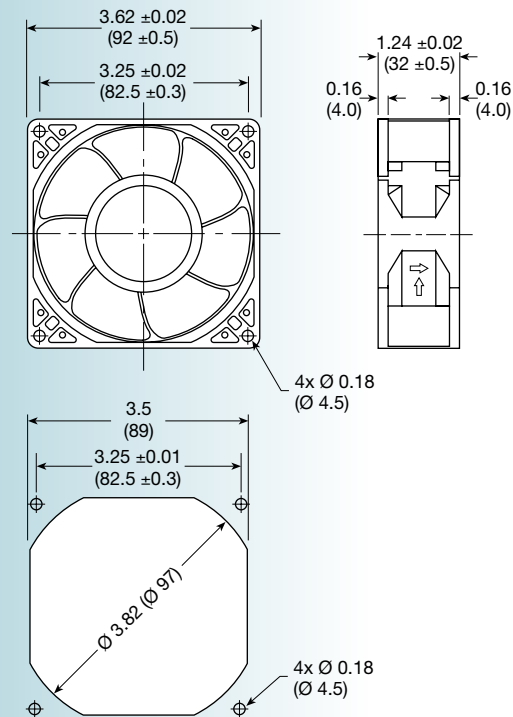
- Features:** *high performance*  
**Construction:** UL94V-0 PBT impeller & frame  
**Bearing option:** ball bearing or sleeve  
**Connection:** AWG 24, UL1007 lead wires  
**Frame:** flanged or ribbed  
**Protection:** thermal  
**Options:** tachometer output;  
locked rotor alarm signal;  
encapsulated motor



Model No.	Rated Voltage V	Current mA			Revolution RPM	Air Volume		Max. Static Pressure (H <sub>2</sub> O)		Sound Noise dbA	Weight g
		5	12	24		M <sup>3</sup> /Min.	CFM	MM	INCH		
G9225S-G	5/12/24	220	90	60	1,200	0.68	24	0.71	0.03	19	98
G9225L-G	5/12/24	340	140	90	1,600	0.88	31	1.33	0.05	21	98
G9225M-G	5/12/24	480	200	120	2,000	1.13	40	1.94	0.07	23	98
G9225H-G	12/24	-	280	160	2,400	1.36	48	2.75	0.10	26	98
G9225E-G	12/24	-	370	200	2,800	1.55	55	3.78	0.13	30	98
G9225X-G	12/24	-	490	290	3,200	1.84	65	4.60	0.17	34	98

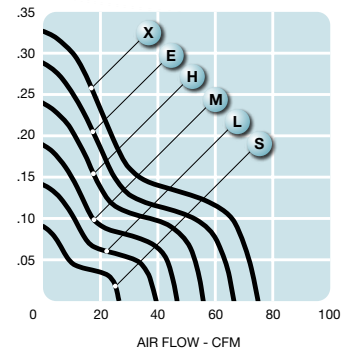


## G9232 series



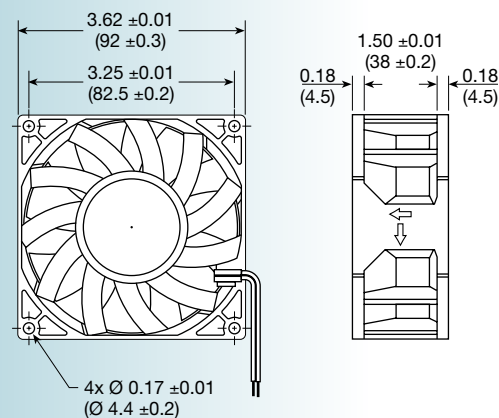
**Size: (92 x 92 x 32 mm)**  
**3.62 x 3.62 x 1.24 inches**

- Construction:** UL94V-0 PBT impeller & frame
- Bearing option:** ball bearing
- Connection:** AWG 24, UL1007 lead wires
- Frame:** flanged
- Protection:** thermal
- Options:** tachometer output signal;  
locked rotor alarm signal;  
thermistor speed control;  
encapsulated motor



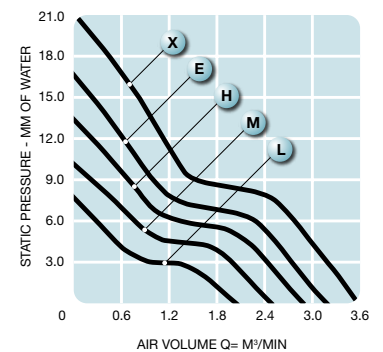
Model No.	Rated Voltage V	Current mA			Revolution RPM	Air Volume		Max. Static Pressure (H <sub>2</sub> O)		Sound Noise dbA	Weight oz
		5	12	24		M <sup>3</sup> /Min.	CFM	MM	INCH		
G9232S	5/12/24	330	100	60	2,000	0.87	31	2.25	0.09	25	5.25
G9232L	5/12/24	480	170	90	2,400	1.10	39	3.50	0.14	28	5.25
G9232M	12/24	-	270	140	2,800	1.33	47	4.75	0.19	32	5.25
G9232H	12/24	-	360	200	3,200	1.61	57	6.00	0.24	36	5.25
G9232E	12/24	-	520	270	3,600	1.87	66	7.25	0.29	40	5.25
G9232X	12/24	-	680	360	4,000	2.12	75	8.25	0.33	44	5.25

## ULTRA HIGH PERFORMANCE MD9238 series



**Size: (92 x 92 x 38 mm)**  
**3.62 x 3.62 x 1.5 inches**

- Features:** **unique high performance design**
- Construction:** UL94V-0 PBT impeller & frame
- Bearing option:** ball bearing
- Connection:** AWG 24, UL1007 lead wires
- Frame:** flanged
- Protection:** thermal
- Options:** tachometer output;  
locked rotor alarm signal

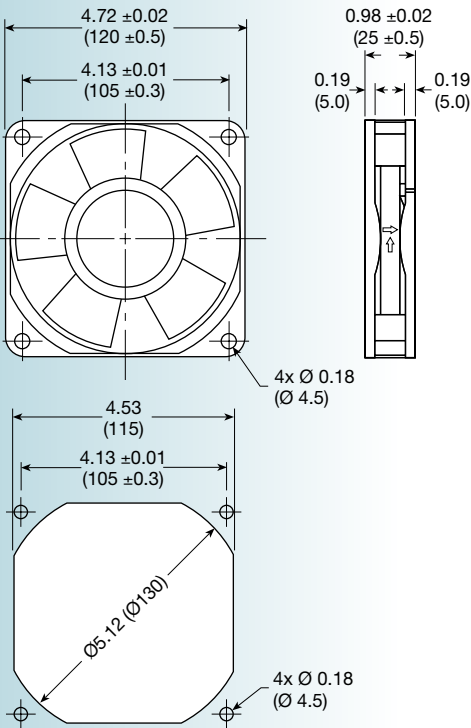


Operating temperature range: -10°C ~ 60°C

Model No.	Rated Voltage V	Current mA			Revolution RPM	Air Volume		Max. Static Pressure (H <sub>2</sub> O)		Sound Noise dbA	Weight g
		12	24	48		M <sup>3</sup> /Min.	CFM	MM	INCH		
MD9238L	12/24/48	360	190	100	3,200	2.01	71.06	7.86	0.31	44.5	180
MD9238M	12/24/48	580	300	150	3,800	2.46	86.85	10.24	0.40	50.0	180
MD9238H	12/24/48	880	450	220	4,400	2.85	100.69	15.30	0.60	53.5	180
MD9238E	12/24	1000	500	-	4,800	3.13	110.56	16.93	0.67	55.0	180
MD9238X	24	-	700	-	5,400	3.50	123.57	21.39	0.84	58.4	180

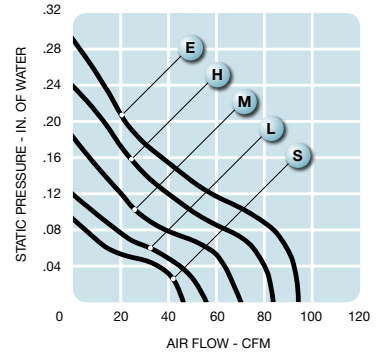
## HIGH BACK PRESSURE

### E1225 series



**Size: (120 x 120 x 25 mm)**  
4.72 x 4.72 x 0.98 inches

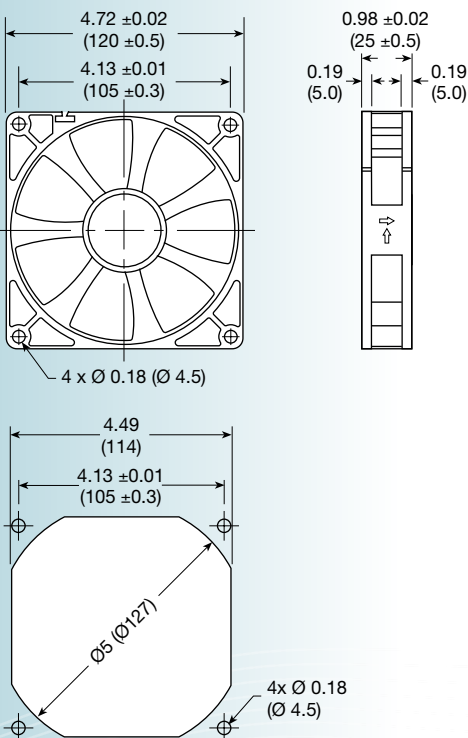
- Features:** *high back pressure design*  
**Construction:** UL94V-0 PBT impeller & frame  
**Bearing option:** ball bearing or sleeve  
**Connection:** terminal option or AWG 24, UL1007 lead wires  
**Frame:** flanged  
**Protection:** thermal  
**Options:** tachometer output signal; locked rotor alarm signal; thermistor control



Model No.	Rated Voltage V	Current mA				Revolution RPM	Air Volume		Max. Static Pressure (H <sub>2</sub> O)		Sound Noise dbA	Weight oz
		5	12	24	48		M <sup>3</sup> /Min.	CFM	MM	INCH		
E1225S	5/12/24	220	100	85	-	1,400	1.24	44	2.25	0.09	28	6.28
E1225L	5/12/24	340	142	95	-	1,800	1.55	55	3.00	0.12	32	6.28
E1225M	5/12/24/48	600	245	160	80	2,200	1.89	67	4.50	0.18	36	6.28
E1225H	12/24/48	-	385	240	120	2,600	2.32	82	6.00	0.24	40	6.28
E1225E	12/24/48	-	580	340	170	3,000	2.63	93	7.00	0.28	44	6.28

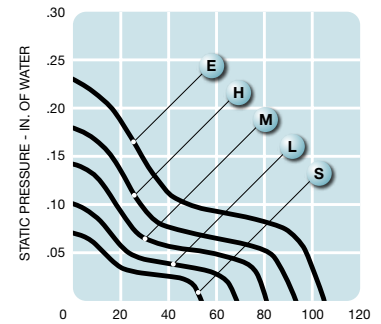
## HIGH AIR FLOW

### G1225 series



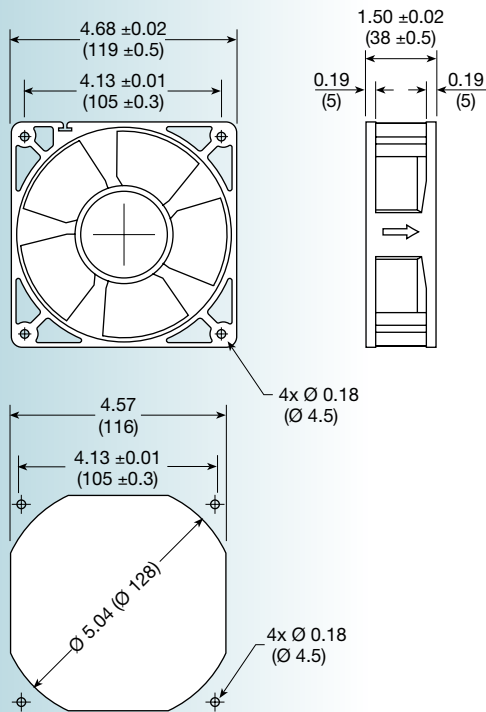
**Size: (120 x 120 x 25 mm)**  
4.72 x 4.72 x 0.98 inches

- Features:** *high back pressure design*  
**Construction:** UL94V-0 PBT impeller & frame  
**Bearing option:** ball bearing  
**Connection:** AWG 24, UL1007 lead wires  
**Frame:** flanged  
**Protection:** thermal  
**Options:** tachometer output signal; locked rotor alarm signal; thermistor control; encapsulated motor



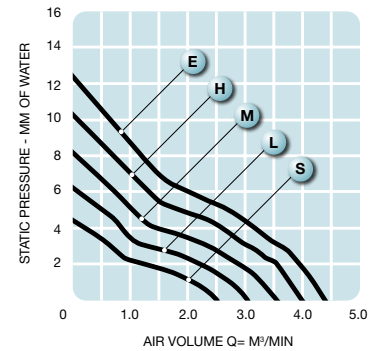
Model No.	Rated Voltage V	Current mA			Revolution RPM	Air Volume		Max. Static Pressure (H <sub>2</sub> O)		Sound Noise dbA	Weight oz
		5	12	24		M <sup>3</sup> /Min.	CFM	MM	INCH		
G1225S	5/12/24	400	130	70	1,500	1.55	55	1.75	0.07	25	6.28
G1225L	5/12/24	620	230	120	1,800	1.92	68	2.50	0.10	29	6.28
G1225M	12/24	-	350	190	2,100	2.29	81	3.50	0.14	33	6.28
G1225H	12/24	-	480	270	2,400	2.63	93	4.50	0.18	37	6.28
G1225E	12/24	-	720	380	2,700	2.97	105	5.75	0.23	41	6.28

## G1238 series



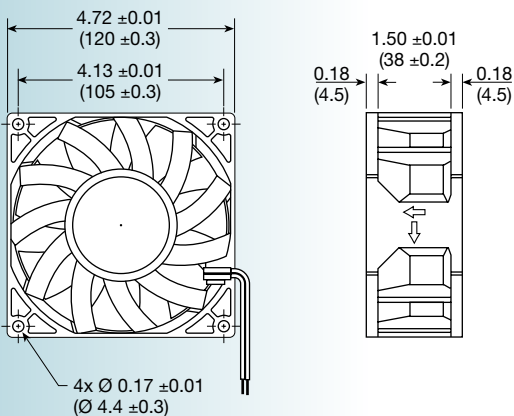
**Size: (120 x 120 x 38 mm)**  
**4.69 x 4.69 x 1.5 inches**

- Features:** *brass bearing stand*  
**Construction:** UL94V-0 PBT impeller & frame  
**Bearing option:** ball bearing  
**Connection:** AWG 24,1007 lead wires  
**Frame:** flanged  
**Protection:** thermal  
**Options:** tachometer output or locked rotor alarm signal; encapsulated motor



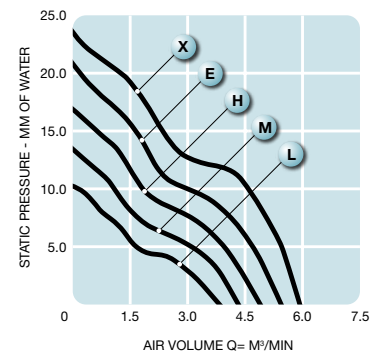
Model No.	Rated Voltage V	Current mA			Revolution RPM	Air Volume		Max. Static Pressure (H <sub>2</sub> O)		Sound Noise dbA	Weight g
		12	24	48		M <sup>3</sup> /Min.	CFM	MM	INCH		
G1238S	12/24/48	250	180	80	2,000	2.50	88	4.39	0.17	34	262
G1238L	12/24/48	400	250	130	2,400	3.03	107	6.22	0.24	38	262
G1238M	12/24/48	600	330	180	2,800	3.54	125	8.16	0.32	43	262
G1238H	12/24/48	750	450	250	3,200	3.99	141	10.31	0.41	46	262
G1238E	12/24/48	1200	600	330	3,600	4.46	158	12.45	0.49	49	262

## ULTRA-HIGH PERFORMANCE MD1238 series



**Size: (120 x 120 x 38 mm)**  
**4.72 x 4.72 x 1.5 inches**

- Features:** *high performance design*  
**Construction:** UL94V-0 PBT impeller & frame  
**Bearing option:** ball bearing  
**Connection:** AWG 24,1007 lead wires  
**Frame:** reinforced flanged design  
**Protection:** thermal  
**Options:** tachometer output or locked rotor alarm

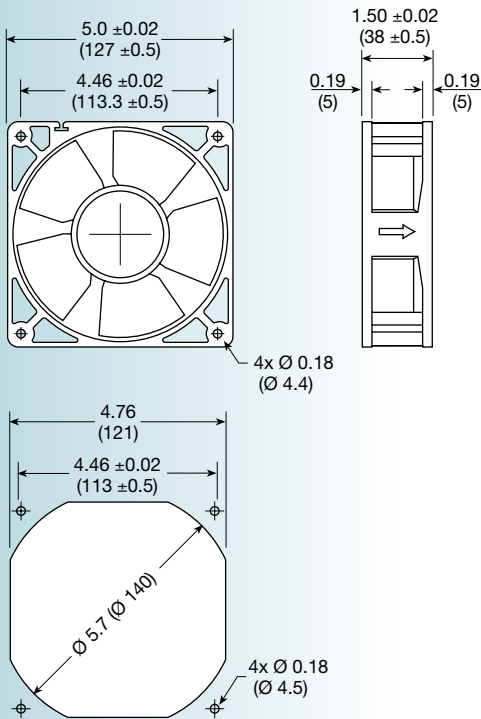


Operating temperature range: -10°C ~ 60°C

Model No.	Rated Voltage V	Operating Voltage V	Current mA	Revolution RPM	Air Volume		Max. Static Pressure (H <sub>2</sub> O)		Sound Noise dbA	Weight g
					M <sup>3</sup> /Min.	CFM	MM	INCH		
MD1238L	12	7 - 13.2	850	3,000	3.90	137	10.4	0.42	52.0	411
MD1238M	12	7 - 13.2	1200	3,400	4.42	155	13.4	0.54	54.5	411
MD1238H	12	7 - 13.2	1600	3,800	4.92	174	16.7	0.67	57.8	411
MD1238E	12	7 - 13.2	2100	4,200	5.43	192	20.4	0.82	59.0	411
MD1238X	12	7 - 13.2	2500	4,500	5.82	205	23.4	0.94	62.0	411

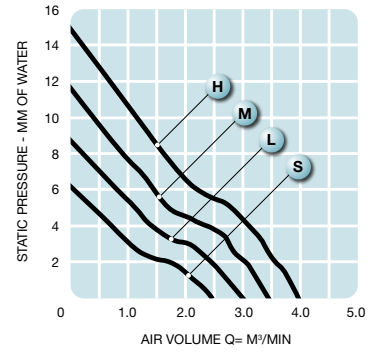


## G1338 series



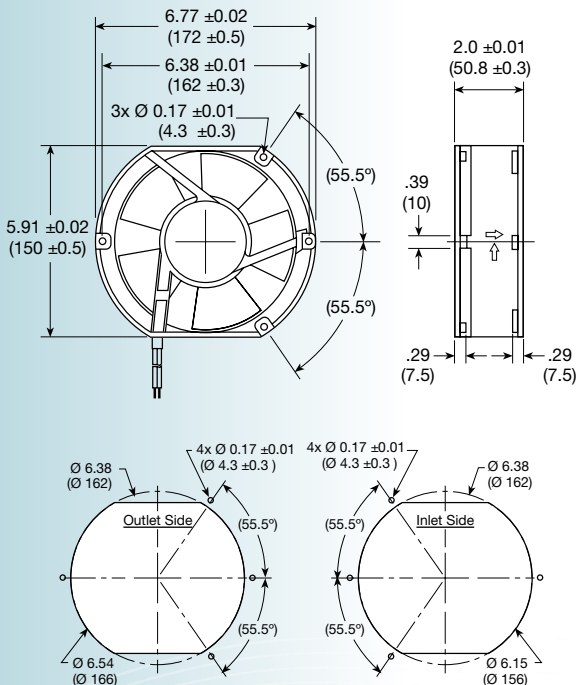
**Size:** (127 x 127 x 38 mm)  
5 x 5 x 1.5 inches

- Features:** *brass bearing stand*  
**Construction:** UL94V-0 PBT impeller & frame  
**Bearing option:** ball bearing  
**Connection:** AWG 24,1007 lead wires  
**Frame:** flanged  
**Protection:** thermal  
**Options:** tachometer output or locked rotor alarm signal



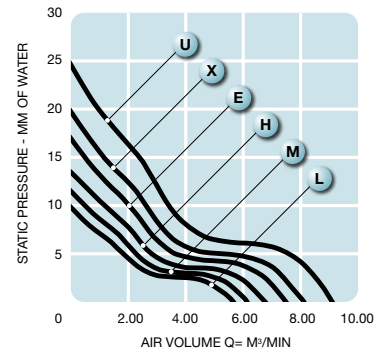
Model No.	Rated Voltage V	Current mA			Revolution RPM	Air Volume		Max. Static Pressure (H <sub>2</sub> O)		Sound Noise dbA	Weight g
		12	24	48		M <sup>3</sup> /Min.	CFM	MM	INCH		
G1338S	12/24/48	350	220	130	2,000	2.46	87	6.22	0.24	37	291
G1338L	12/24/48	550	330	180	2,400	3.00	106	8.77	0.35	42	291
G1338M	12/24/48	850	480	250	2,800	3.46	122	11.73	0.46	46	291
G1338H	12/24/48	1200	650	330	3,200	3.99	141	15.10	0.59	49	291

## MA1751 series



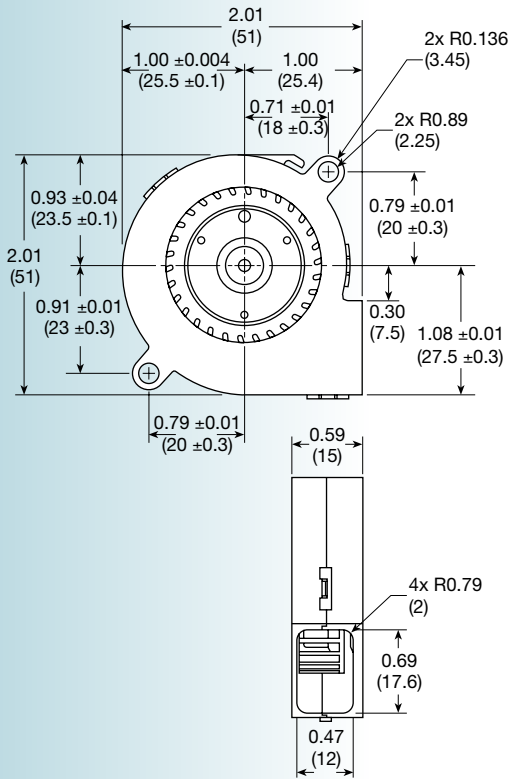
**Size:** (172 x 150 x 50.8 mm)  
6.77 x 5.91 x 2.0 inches

- Features:** *All models have locked rotor protection; 24/48 models have over current and over voltage protection and soft start function*  
**Construction:** Die-cast aluminum frame; UL94V-0 PBT  
**Bearing option:** ball bearing  
**Connection:** AWG 22,1007 lead wires  
**Frame:** flanged, die-cast aluminum  
**Protection:** thermal  
**Options:** tachometer output or locked rotor alarm signal



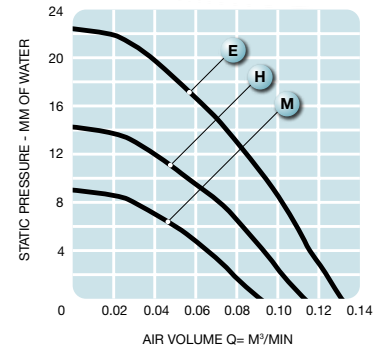
Model No.	Rated Voltage V	Current A			Revolution RPM	Air Volume		Max. Static Pressure (H <sub>2</sub> O)		Sound Noise dbA	Weight g
		12	24	48		M <sup>3</sup> /Min.	CFM	MM	INCH		
MA1751L	12/24/48	1.10	0.48	0.25	2,400	5.81	205.1	9.83	0.39	54.5	760
MA1751M	12/24/48	1.40	0.57	0.31	2,600	6.29	222.2	11.54	0.46	56.6	760
MA1751H	12/24/48	1.80	0.77	0.38	2,850	6.89	243.6	13.86	0.55	58.4	760
MA1751E	12/24/48	2.20	0.98	0.55	3,150	7.62	269.2	16.93	0.67	61.0	760
MA1751X	24/48	-	1.20	0.73	3,400	8.23	290.6	19.73	0.78	63.0	760
MA1751U	48	-	-	0.90	3,800	9.20	324.8	24.64	0.98	66.2	760

## B5015 series



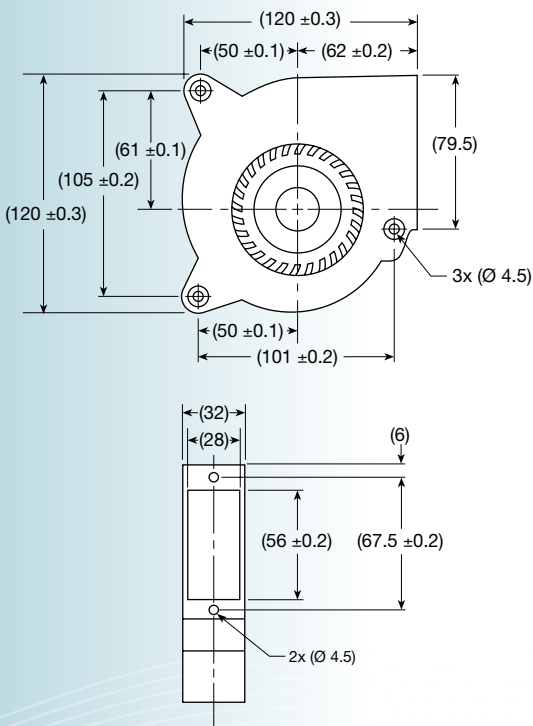
**Size: (51 x 51 x 15 mm)**  
**2.01 x 2.01 x .59 inches**

- Construction:** UL94V-0 PBT impeller & frame
- Bearing option:** ball bearing
- Connection:** AWG 26, UL1061 lead wires
- Protection:** thermal
- Options:** tachometer output signal



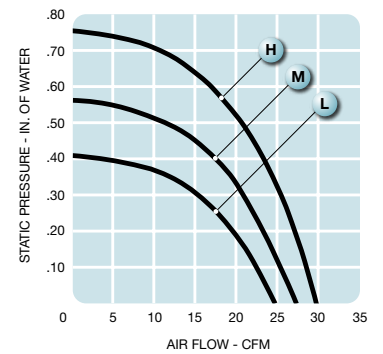
Model No.	Rated Voltage V	Current mA			Revolution RPM	Air Volume		Max. Static Pressure (H <sub>2</sub> O)		Sound Noise dbA	Weight g
		5	12	24		M <sup>3</sup> /Min.	CFM	MM	INCH		
B5015M	5/12/24	280	130	90	4,500	0.09	3	8.98	0.35	35	28
B5015H	5/12/24	400	200	130	5,500	0.11	4	14.28	0.56	40	28
B5015E	12/24	-	300	180	6,500	0.13	5	22.45	0.88	45	28

## B1232 series



**Size: (120 x 120 x 32 mm)**  
**4.7 x 4.7 x 1.24 inches**

- Construction:** UL94V-0 PBT impeller & frame
- Bearing option:** ball bearing or sleeve
- Connection:** AWG 24, UL1007 lead wires
- Protection:** thermal
- Options:** tachometer output or locked rotor alarm signal



Model No.	Rated Voltage V	Current mA		Revolution RPM	Air Volume		Max. Static Pressure (H <sub>2</sub> O)		Sound Noise dbA	Weight oz
		12	24		M <sup>3</sup> /Min.	CFM	MM	INCH		
B1232L	12/24	360	180	2,100	0.70	25	10.25	0.41	44	7.42
B1232M	12/24	550	330	2,400	0.76	27	14.00	0.56	47	7.42
B1232H	12/24	800	480	2,800	0.84	30	19.00	0.76	51	7.42

# Engineering

DC Fans and Blowers

## FAN OPTIONS

### Tachometer Output Signal\*

4 Pole Motor: 2 pulses/revolution, square waveform  
8 Pole Motor: 4 pulses/revolution, square waveform

### Locked Rotor Output Signal\*

Low voltage output changes to high voltage output in locked/stopped rotor condition

### Thermistor Control

Hub-mount or remote mount thermistor monitors temperature and increases/decreases RPM as required

### Conformal Coating

Humidity resistant protective coating applied to PC board and electronic components. Enhanced "GB" option for additional protection

### Encapsulated Motor

Totally encapsulated motor and PCB

### PWM Speed Control

PWM input option allows for wide range of fan speed control

### Custom Designs

Contact Mechatronics for details

### Added Value Assembly

Contact Mechatronics for details

## GENERAL SPECIFICATIONS Brushless DC Fans & Blowers

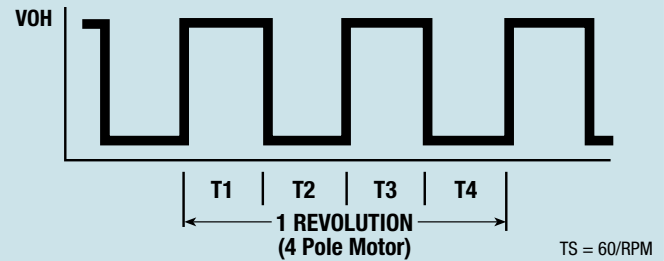
Rated Voltage*	5, 12, 24, 48 VDC
Operating Voltage Range*	DC 4.5 to 6.0V for DC 5V DC 5.5 to 14V for DC 12V DC 10 to 28V for DC 24V DC 24 to 56V for DC 48V
Operating Temp Range*	-10°C to 70°C
Storage Temp Range*	-40°C to 70°C
Insulating Resistance*	Over 10MΩ at DC 500V
Dielectric Strength*	AC 500V for 1 minute
Protection*	Reverse polarity protection
Impeller*	PBT (UL94V-0)
Housing*	PBT (UL94V-0)
PCB*	Epoxy (UL94V-0)
Lead Wire*	Color coded UL1007 or UL1061
Bearings*	Abec 3, double shielded, chrome ball bearings Sintered bronze sleeve bearings
Safety*	UL, C-UL File E137077; TUV R9154178, R9154180, R9154634, R9755210, R9855037, etc.

### Tachometer Output Signal\*

#### A, E, F, G Series

Rated input voltage	5 VDC	12 VDC	24 VDC	48 VDC
Tachometer signal output voltage (VOH)	5 VDC	12 VDC	24 VDC	48 VDC

All voltages +/- 0.5 VD C



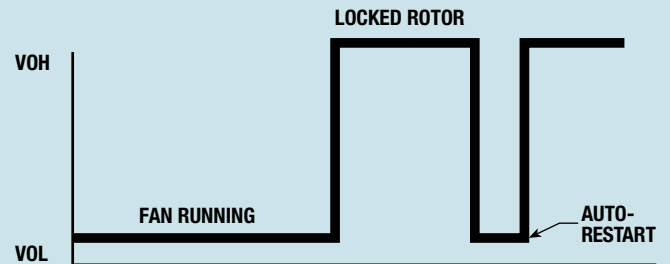
### Locked Rotor Output Signal\*

Rated input voltage	5 VDC	12 VDC	24 VDC	48VDC
---------------------	-------	--------	--------	-------

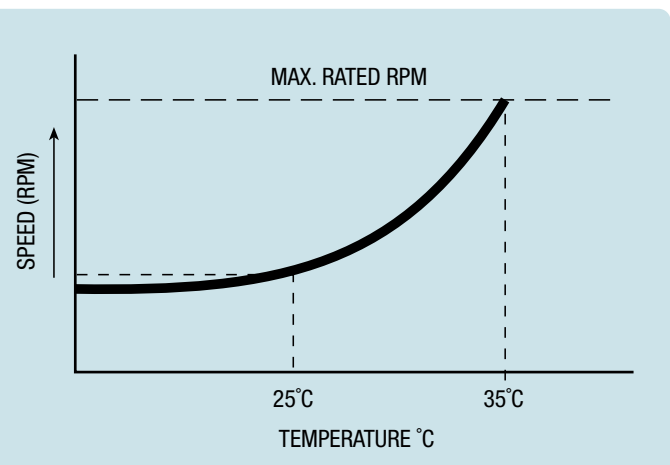
Locked rotor signal	4 VDC	6 VDC	12 VDC	24VDC
---------------------	-------	-------	--------	-------

All voltages +/- 0.5 VD C

TTL compatible signal output available



### Thermistor Control



\*Actual specifications, tolerances, and safety agency approvals vary by series. Consult Mechatronics for individual specifications.

## AC Axial Part Numbering System

**UF 12 A 12 - B T H NS R**

### AC SERIES

UF, UN, UT, UX, . . .

### FRAME SIZE

<b>60:</b> 2.36 (60 mm square)	<b>80:</b> 3.15 (80 mm square)	<b>92:</b> 3.62 (92 mm square)
<b>12:</b> 4.69 (120 mm square)	<b>13:</b> 5.0 (127 mm square)	<b>16:</b> 6.30 (160 mm square)
<b>15:</b> 6.77 x 5.91 (172 mm x 150 mm)	<b>17:</b> 6.77 (172 mm round)	<b>18:</b> 7.09 (180 mm square)
<b>25:</b> 10.0 (254 mm round)		

### FRAME THICKNESS

<b>A:</b> 1.50 (38 mm)	<b>B:</b> 1.00 (25 mm)	<b>D:</b> 1.18 (30 mm)	<b>F:</b> 2.44 (62 mm)	<b>G:</b> 3.50 (89 mm)
<b>H:</b> 4.21 (107 mm)	<b>J:</b> 3.54 (90 mm)	<b>K:</b> 2.17 (55 mm)	<b>P:</b> 2.00 (51 mm)	

### VOLTAGE (VAC)

**12:** 115    **23:** 230    **12/23:** 115/230 Dual Voltage

### BEARINGS

**B:** Ball    **S:** Sleeve

### CONNECTION

**T:** Terminal    **W:** Leadwire

### AIR FLOW LEVEL

**SL, S, L, M, H**

### OPTIONS

- CC:** Conformal Coating
- F:** High Temperature
- N:** IP55
- NS:** IP55 & Salt Fog Protection

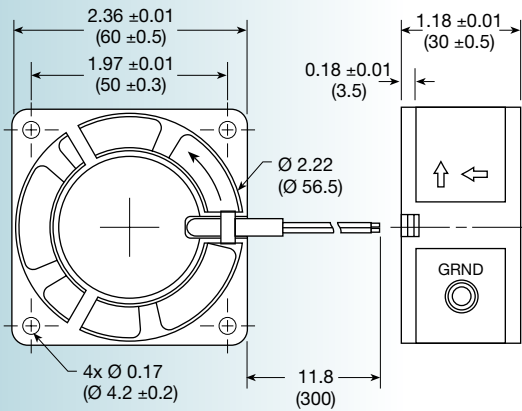
### ROHS Compliant

### GENERAL DATA

- Ball or sleeve bearing construction
- Aluminum die-cast frame
- UL 94V0 or metal impeller
- Terminal connection or leadwire
- Leadwires  
22 AWG, Nom. 10.0 inches
- Impedance or thermal protection
- Dielectric strength  
AC 1500V (50/60 Hz) one min.
- Operating temperature range  
Ball Bearing -40°C ~ 70°C  
Sleeve Bearing -20°C ~ 70°C  
UF15P, UF17P -40°C ~ 60°C
- Insulation Class B  
(unless otherwise indicated)
- Designed for continuous duty life  
of 50,000 hours (ball bearing)  
25,000 (sleeve bearing) at 25°C
- UL, C-UL, TUV, CE compliant,  
UL, C-UL File No. E137077



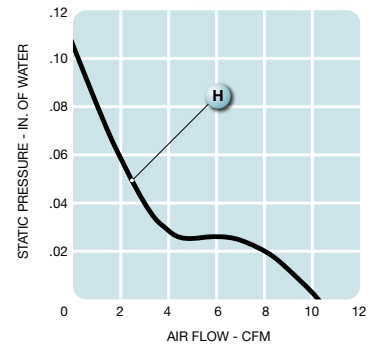
## UF60D series



LEAD WIRE TYPE

**Size: (60 x 60 x 30 mm)**  
2.36 x 2.36 x 1.18 inches

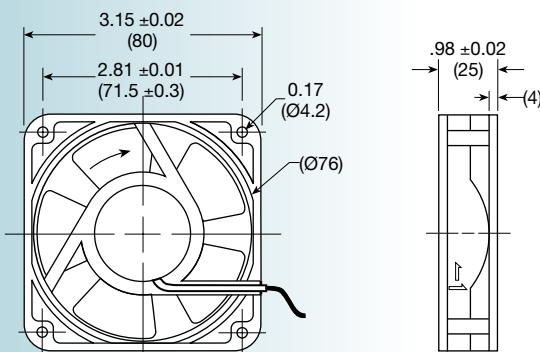
- Operating voltage (VAC):** 115 or 230
- Construction:** aluminum die cast frame; UL94V-0 PBT impeller
- Bearing option:** motor quality ball bearings
- Motor:** shaded pole
- Air flow:** exhaust over struts
- Connection:** 22 AWG lead wire
- Protection:** impedance



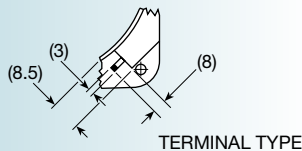
Model No.	Rated Voltage V	Freq. HZ	Input Power W	Rated Cur. A	Locked Cur. A	Speed RPM	Air Volume		Max. Static Pressure (H <sub>2</sub> O)		Sound Noise db	Weight oz
							M <sup>3</sup> /Min.	CFM	MM	INCH		
UF60D12-__H	115	60	4	0.035	0.040	3,100	0.29	10.2	2.8	0.11	28	4.9
UF60D23-__H	230	60	4	0.016	0.020	3,100	0.29	10.2	2.8	0.11	28	4.9

AC Axial Fans

## UF80B series



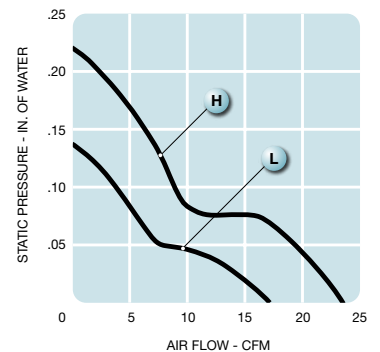
LEAD WIRE



TERMINAL TYPE

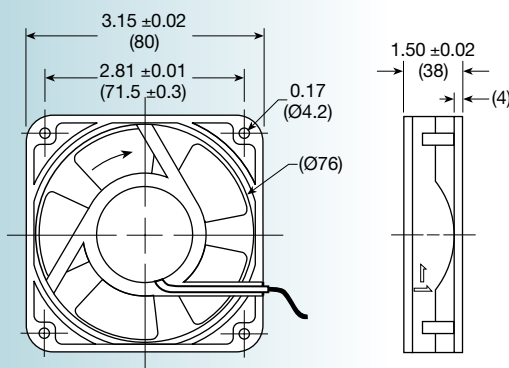
**Size: (80 x 80 x 25 mm)**  
3.15 x 3.15 x 0.98 inches

- Operating voltage (VAC):** 115 or 230
- Construction:** aluminum die cast frame; UL94V-0 PBT impeller
- Bearing option:** motor quality ball bearings or sintered bronze sleeve
- Motor:** shaded pole
- Air flow:** exhaust over struts
- Connection:** terminal or 22 AWG lead wire
- Protection:** impedance

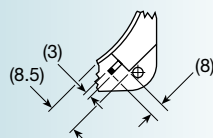


Model No.	Rated Voltage V	Freq. HZ	Input Power W	Rated Cur. A	Locked Cur. A	Speed RPM	Air Volume		Max. Static Pressure (H <sub>2</sub> O)		Sound Noise db	Weight oz
							M <sup>3</sup> /Min.	CFM	MM	INCH		
UF80B12-__H	115	60	11	0.12	0.13	3,100	0.68	24	5.5	0.22	35	9.2
UF80B23-__H	230	60	14	0.07	0.08	3,100	0.68	24	5.5	0.22	35	9.2
UF80B12-__L	115	60	11	0.12	0.13	2,400	0.50	18	3.5	0.14	31	9.2
UF80B23-__L	230	60	14	0.06	0.07	2,400	0.50	18	3.5	0.14	31	9.2

## UF80A series



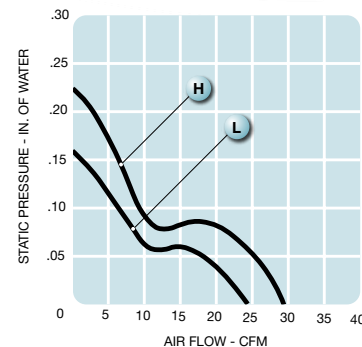
LEAD WIRE



TERMINAL TYPE

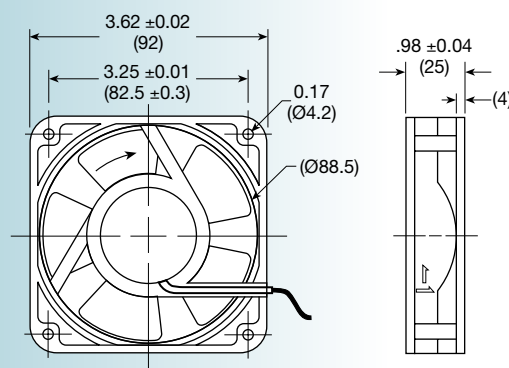
**Size: (80 x 80 x 38 mm)**  
**3.15 x 3.15 x 1.5 inches**

**Operating voltage (VAC):** 115 or 230  
**Construction:** aluminum die cast frame; UL94V-0 PBT impeller  
**Bearing option:** motor quality ball bearings or sintered bronze sleeve  
**Motor:** shaded pole  
**Air flow:** exhaust over struts  
**Connection:** terminal or 22 AWG lead wire  
**Protection:** impedance

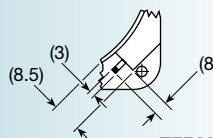


Model No.	Rated Voltage V	Freq. HZ	Input Power W	Rated Cur. A	Locked Cur. A	Speed RPM	Air Volume		Max. Static Pressure (H <sub>2</sub> O)		Sound Noise db	Weight oz
							M <sup>3</sup> /Min.	CFM	MM	INCH		
UF80A12-__H	115	60	9	0.12	0.13	3,000	0.83	30	5.5	0.22	36	10.0
UF80A23-__H	230	60	12	0.06	0.07	3,000	0.83	30	5.5	0.22	36	10.0
UF80A12-__L	115	60	9	0.10	0.11	2,400	0.70	25	4.0	0.16	32	10.0
UF80A23-__L	230	60	12	0.05	0.06	2,400	0.70	25	4.0	0.16	32	10.0

## UF92B series



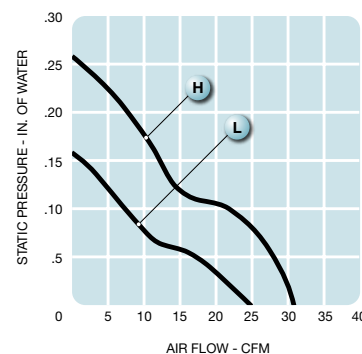
LEAD WIRE



TERMINAL TYPE

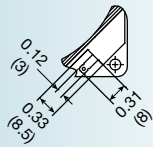
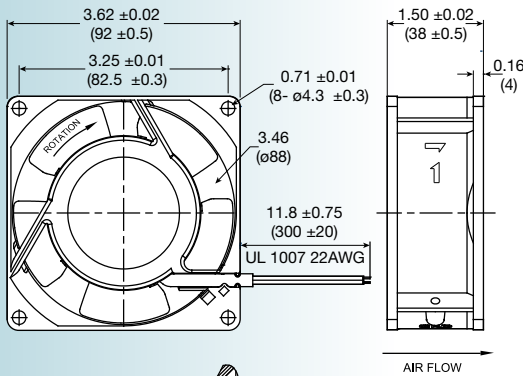
**Size: (92 x 92 x 25 mm)**  
**3.62 x 3.62 x 0.98 inches**

**Operating voltage (VAC):** 115 or 230  
**Construction:** aluminum die cast frame; UL94V-0 PBT impeller  
**Bearing option:** motor quality ball bearings or sintered bronze sleeve  
**Motor:** shaded pole  
**Air flow:** exhaust over struts  
**Connection:** terminal or 22 AWG lead wire  
**Protection:** impedance



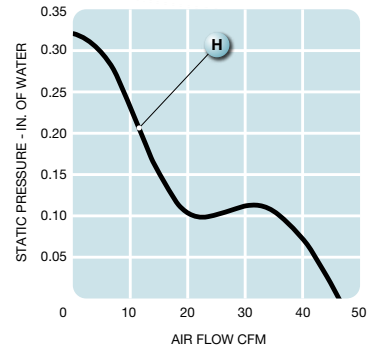
Model No.	Rated Voltage V	Freq. HZ	Input Power W	Rated Cur. A	Locked Cur. A	Speed RPM	Air Volume		Max. Static Pressure (H <sub>2</sub> O)		Sound Noise db	Weight oz
							M <sup>3</sup> /Min.	CFM	MM	INCH		
UF92B12-__H	115	60	11	0.12	0.13	3,000	0.87	31	6.5	0.26	36	10.0
UF92B23-__H	230	60	14	0.07	0.08	3,000	0.87	31	6.5	0.26	36	10.0
UF92B12-__L	115	60	11	0.11	0.12	2,300	0.70	25	4.0	0.16	32	10.0
UF92B23-__L	230	60	14	0.06	0.07	2,300	0.70	25	4.0	0.16	32	10.0

## UF92A series



**Size: (92 x 92 x 38 mm)**  
**3.62 x 3.62 x 1.50 inches**

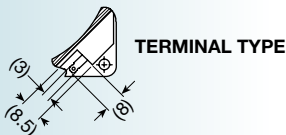
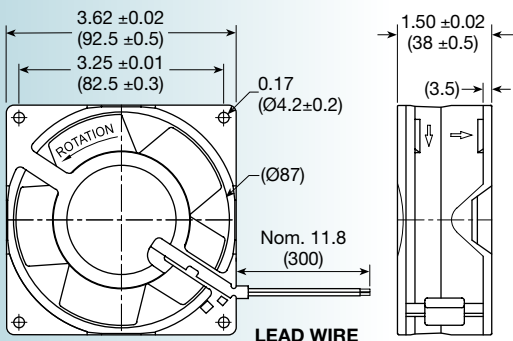
- Operating voltage (VAC):** 115 or 230
- Construction:** aluminum die cast frame; UL94V-0 PBT impeller
- Bearing option:** motor quality ball bearings
- Motor:** shaded pole
- Air flow:** exhaust over struts
- Connection:** terminal or 22 AWG lead wire
- Protection:** impedance



Model No.	Rated Voltage V	Freq. HZ	Input Power W	Rated Cur. A	Locked Cur. A	Speed RPM	Air Volume		Max. Static Pressure (H <sub>2</sub> O)		Sound Noise db	Weight kg
							M <sup>3</sup> /Min.	CFM	MM	INCH		
UF92A12-__H	115	60	12	0.16	0.25	3300	1.3	46	8.1	0.32	38	0.45
UF92A23-__H	230	60	12	0.09	0.13	3300	1.3	46	8.1	0.32	38	0.45

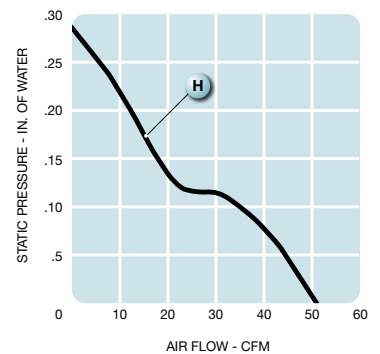
AC Axial Fans

## UF92AM series



**Size: (92 x 92 x 38 mm)**  
**3.62 x 3.62 x 1.5 inches**

- Features:** metal frame and impeller; Class F (155°) insulation; -40°C ~ 90°C operating temperature range; high-temp bearing lubricant
- Operating voltage (VAC):** 115 or 230
- Construction:** aluminum die cast frame; metal impeller
- Bearing option:** motor quality ball bearings
- Motor:** shaded pole
- Air flow:** exhaust over struts
- Connection:** terminal or 22 AWG lead wire
- Protection:** impedance

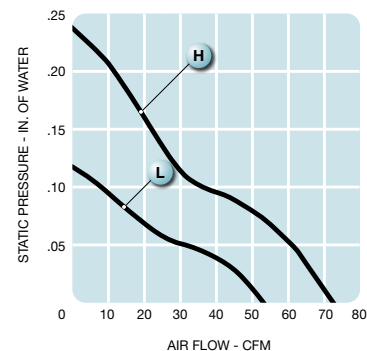
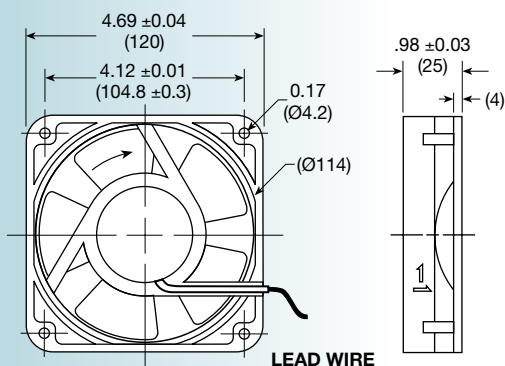


Model No.	Rated Voltage V	Freq. HZ	Input Power W	Rated Cur. A	Locked Cur. A	Speed RPM	Air Volume		Max. Static Pressure (H <sub>2</sub> O)		Sound Noise db	Weight oz
							M <sup>3</sup> /Min.	CFM	MM	INCH		
UF92AM12-__H	115	60	11	0.12	0.17	3,200	1.45	51	7.5	0.30	42	15
UF92AM23-__H	230	60	11	0.06	0.08	3,200	1.45	51	7.5	0.30	42	15

## UF12B series

**Size: (120 x 120 x 25 mm)**  
**4.69 x 4.69 x 0.98 inches**

- Operating voltage (VAC):** 115 or 230
- Construction:** aluminum die cast frame; UL94V-0 PBT impeller
- Bearing option:** motor quality ball bearings or sintered bronze sleeve
- Motor:** shaded pole
- Air flow:** exhaust over struts
- Connection:** terminal or 22 AWG lead wire
- Protection:** impedance

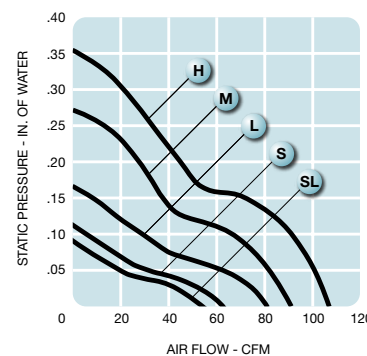
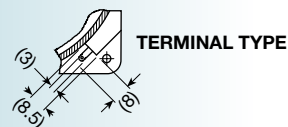
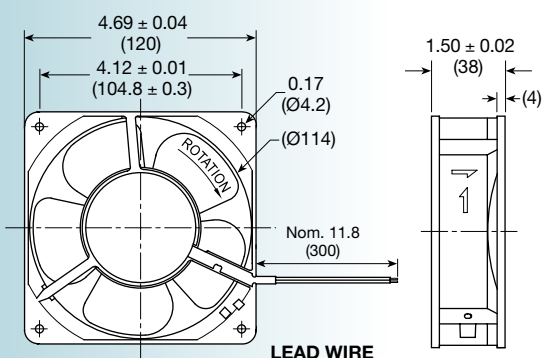


Model No.	Rated Voltage V	Freq. HZ	Input Power W	Rated Cur. A	Locked Cur. A	Speed RPM	Air Volume		Max. Static Pressure (H <sub>2</sub> O)		Sound Noise db	Weight oz
							M <sup>3</sup> /Min.	CFM	MM	INCH		
UF12B12-__H	115	60	11	0.12	0.15	2,900	2.1	75	6.0	0.24	42	11.6
UF12B23-__H	230	60	14	0.07	0.08	2,900	2.1	75	6.0	0.24	42	11.6
UF12B12-__L	115	60	11	0.11	0.12	2,000	1.5	53	2.9	0.11	33	11.6
UF12B23-__L	230	60	14	0.06	0.07	2,000	1.5	53	2.9	0.11	33	11.6

## UF12A series

**Size: (120 x 120 x 38 mm)**  
**4.69 x 4.69 x 1.5 inches**

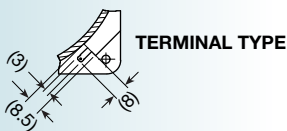
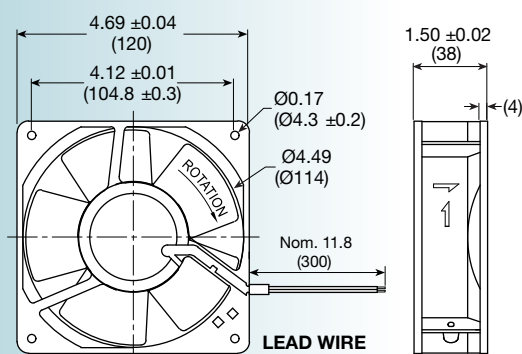
- Operating voltage (VAC):** 115 or 230
- Construction:** aluminum die cast frame; UL94V-0 PBT impeller
- Bearing option:** motor quality ball bearings or sintered bronze sleeve
- Motor:** shaded pole
- Air flow:** exhaust over struts
- Connection:** terminal or 22 AWG lead wire
- Protection:** impedance
- Option:** IP55; IP55 + salt fog



Model No.	Rated Voltage V	Freq. HZ	Input Power W	Rated Cur. A	Locked Cur. A	Speed RPM	Air Volume		Max. Static Pressure (H <sub>2</sub> O)		Sound Noise db	Weight oz
							M <sup>3</sup> /Min.	CFM	MM	INCH		
UF12A12-__H	115	60	12	0.16	0.23	3,100	3.0	106	8.7	0.35	46	18.7
UF12A23-__H	230	60	15	0.08	0.12	3,100	3.0	106	8.7	0.35	46	18.7
UF12A12-__M	115	60	12	0.17	0.19	2,750	2.6	92	7.0	0.28	42	18.7
UF12A23-__M	230	60	15	0.08	0.09	2,750	2.6	92	7.0	0.28	42	18.7
UF12A12-__L	115	60	12	0.15	0.16	2,300	2.3	81	4.0	0.16	38	18.7
UF12A23-__L	230	60	15	0.07	0.08	2,300	2.3	81	4.0	0.16	38	18.7
UF12A12-__S	115	60	8	0.08	0.09	2,100	1.8	64	2.8	0.11	37	18.7
UF12A23-__S	230	60	8	0.04	0.05	2,100	1.8	64	2.8	0.11	37	18.7
UF12A12-__SL	115	60	6	0.06	0.07	1,800	1.6	57	2.3	0.09	36	18.7
UF12A23-__SL	230	60	6	0.03	0.04	1,800	1.6	57	2.3	0.09	36	18.7



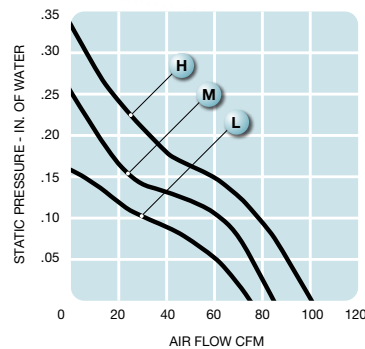
## UF12AR series



**Size:** (120 x 120 x 38 mm)  
4.69 x 4.69 x 1.5 inches

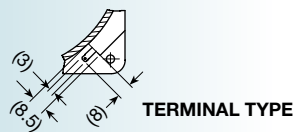
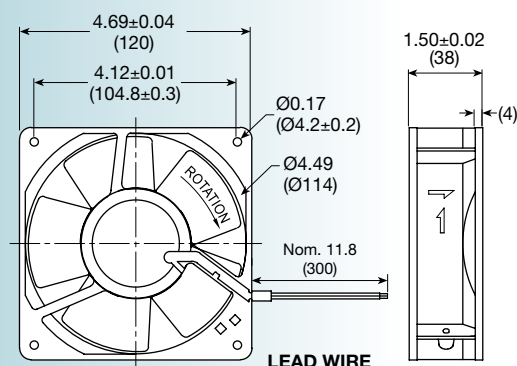
**Features:** *reverse air flow (air intake over struts)*

**Operating voltage (VAC):** 115 or 230  
**Construction:** aluminum die cast frame; UL94V-0 PBT impeller  
**Bearing option:** motor quality ball bearings  
**Motor:** shaded pole  
**Air flow:** intake over struts  
**Connection:** terminal or 22 AWG lead wire  
**Protection:** impedance



Model No.	Rated Voltage V	Freq. HZ	Input Power W	Rated Cur. A	Locked Cur. A	Speed RPM	Air Volume		Max. Static Pressure (H <sub>2</sub> O)		Sound Noise db	Weight oz
							M <sup>3</sup> /Min.	CFM	MM	INCH		
UF12AR12-__H	115	60	11	0.19	0.20	3,100	2.8	99	8.5	0.33	47	18.7
UF12AR23-__H	230	60	15	0.09	0.10	3,100	2.8	99	8.5	0.33	47	18.7
UF12AR12-__M	115	60	11	0.17	0.19	2,750	2.4	85	6.5	0.26	45	18.7
UF12AR23-__M	230	60	15	0.08	0.09	2,750	2.4	85	6.5	0.26	45	18.7
UF12AR12-__L	115	60	11	0.15	0.16	2,300	2.1	75	4.0	0.16	38	18.7
UF12AR23-__L	230	60	15	0.07	0.08	2,300	2.1	75	4.0	0.16	38	18.7

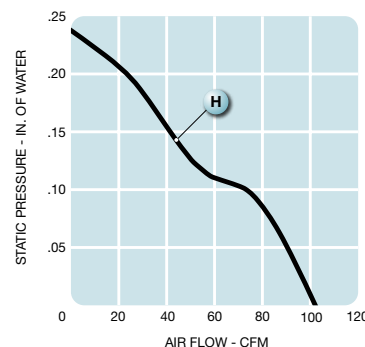
## UF12AM series



**Size:** (120 x 120 x 38 mm)  
4.69 x 4.69 x 1.5 inches

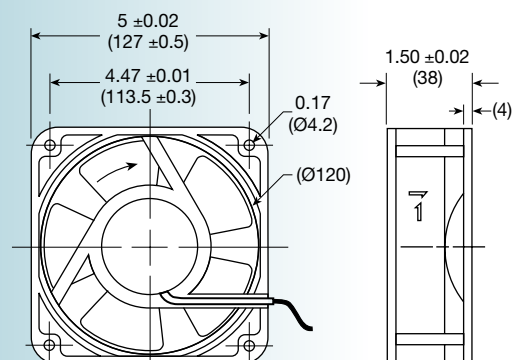
**Features:** *metal frame and impeller; Class F (155°) insulation; -40°C ~ 90°C operating temperature range; high-temp bearing lubricant*

**Operating voltage (VAC):** 115 or 230  
**Construction:** aluminum die cast frame; metal impeller  
**Bearing option:** motor quality ball bearings  
**Motor:** shaded pole  
**Air flow:** exhaust over struts  
**Connection:** terminal or 22 AWG lead wire  
**Protection:** impedance

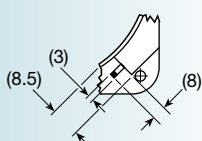


Model No.	Rated Voltage V	Freq. HZ	Input Power W	Rated Cur. A	Locked Cur. A	Speed RPM	Air Volume		Max. Static Pressure (H <sub>2</sub> O)		Sound Noise db	Weight oz
							M <sup>3</sup> /Min.	CFM	MM	INCH		
UF12AM12-__H	115	60	13	0.15	0.22	3,100	2.9	103	6.0	0.24	46	19.4
UF12AM23-__H	230	60	15	0.09	0.12	3,100	2.9	103	6.0	0.24	46	19.4

## UF13A series



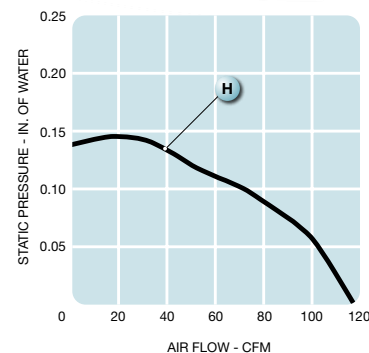
LEAD WIRE



TERMINAL TYPE

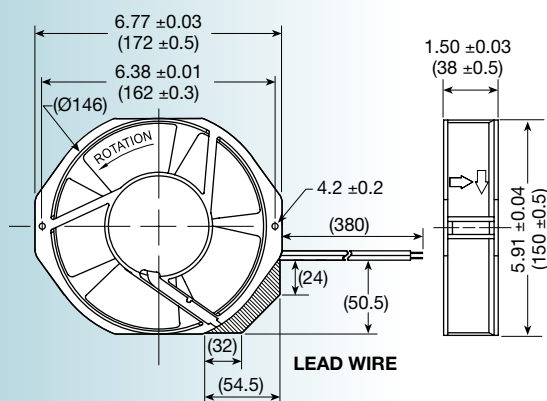
**Size: (127 x 127 x 38 mm)**  
**5.0 x 5.0 x 1.5 inches**

- Operating voltage (VAC):** 115 or 230
- Construction:** aluminum die cast frame; UL94V-0 PBT impeller
- Bearing option:** motor quality ball bearings or sintered bronze sleeve
- Motor:** shaded pole
- Air flow:** exhaust over struts
- Connection:** terminal or 22 AWG lead wire
- Protection:** impedance
- Option:** IP55; IP55 + salt fog

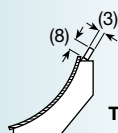


Model No.	Rated Voltage V	Freq. HZ	Input Power W	Rated Cur. A	Locked Cur. A	Speed RPM	Air Volume		Max. Static Pressure (H <sub>2</sub> O)		Sound Noise db	Weight oz
							M <sup>3</sup> /Min.	CFM	MM	INCH		
UF13A12-__H	115	60	12	0.16	0.23	3,000	3.4	120	3.5	0.14	50	19.4
UF13A23-__H	230	60	15	0.09	0.11	3,000	3.4	120	3.5	0.14	50	19.4

## UF15AC series



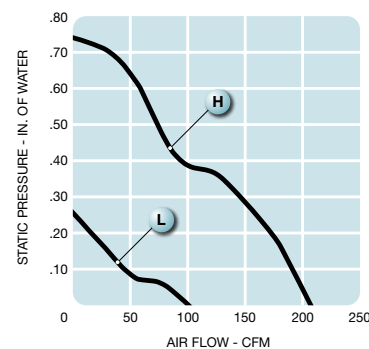
LEAD WIRE



TERMINAL TYPE

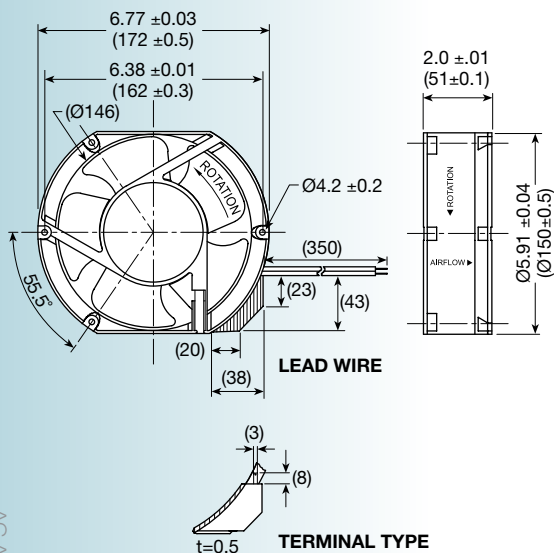
**Size: (172 x 150 x 38 mm)**  
**6.77 x 5.91 x 1.50 inches**

- Operating voltage (VAC):** 115 or 230
- Construction:** aluminum die cast frame; UL94V-0 PBT impeller
- Bearing option:** motor quality ball bearings
- Motor:** permanent split capacitor
- Air flow:** exhaust over struts
- Connection:** terminal or 22 AWG lead wire
- Protection:** thermal



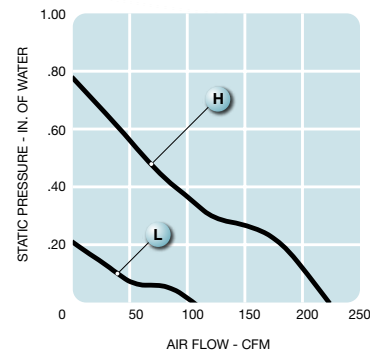
Model No.	Rated Voltage V	Freq. HZ	Input Power W	Rated Cur. A	Locked Cur. A	Speed RPM	Air Volume		Max. Static Pressure (H <sub>2</sub> O)		Sound Noise db	Weight oz
							M <sup>3</sup> /Min.	CFM	MM	INCH		
UF15AC12-__H	115	60	28	0.23	0.38	3,400	6.0	212	19.0	0.75	58	25.4
UF15AC23-__H	230	60	26	0.11	0.18	3,400	6.0	212	19.0	0.75	58	25.4
UF15AC12-__L	115	60	28	0.15	0.20	1,700	2.9	103	6.5	0.26	44	25.4
UF15AC23-__L	230	60	26	0.07	0.10	1,700	2.9	103	6.5	0.26	44	25.4

## UF15PC series



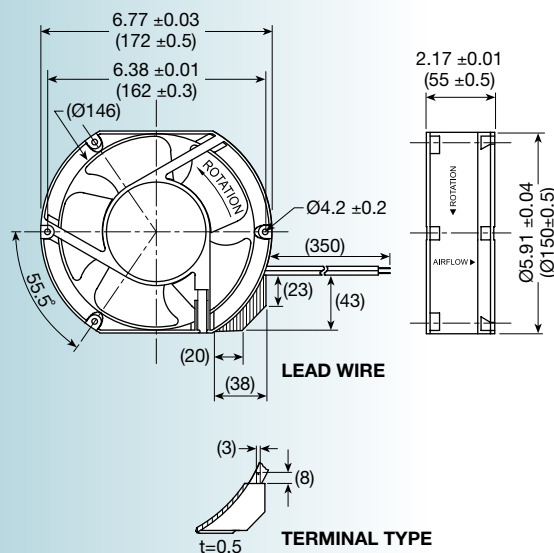
**Size: (172 x 150 x 51 mm)  
6.77 x 5.91 x 2.0 inches**

- Operating voltage (VAC):** 115 or 230
- Construction:** aluminum die cast frame; UL94V-0 PBT impeller
- Bearing option:** motor quality ball bearings
- Motor:** permanent split capacitor
- Air flow:** exhaust over struts
- Connection:** terminal or 22 AWG lead wire
- Protection:** thermal
- Option:** IP55; IP55 + salt fog



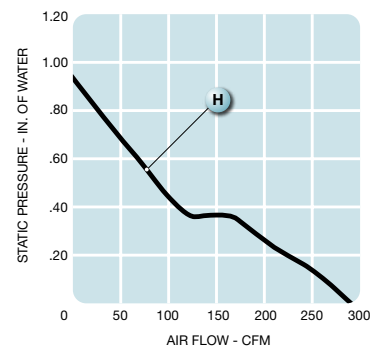
Model No.	Rated Voltage V	Freq. HZ	Input Power W	Rated Cur. A	Locked Cur. A	Speed RPM	Air Volume		Max. Static Pressure (H <sub>2</sub> O)		Sound Noise db	Weight oz
							M <sup>3</sup> /Min.	CFM	MM	INCH		
UF15PC12 - _H	115	60	31	0.25	0.43	3,400	6.4	226	20.0	0.79	58	32
UF15PC23 - _H	230	60	29	0.12	0.19	3,400	6.4	226	20.0	0.79	58	32
UF15PC12 - _L	115	60	31	0.15	0.20	1,700	3.0	106	5.5	0.22	37	32
UF15PC23 - _L	230	60	29	0.07	0.09	1,700	3.0	106	5.5	0.22	37	32

## UF15KC series



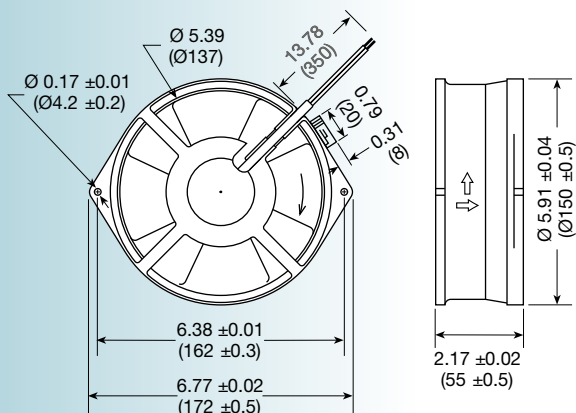
**Size: (172 x 150 x 55 mm)  
6.77 x 5.91 x 2.17 inches**

- Operating voltage (VAC):** 115 or 230
- Construction:** aluminum die cast frame; UL94V-0 PBT impeller
- Bearing option:** motor quality ball bearings
- Motor:** permanent split capacitor
- Air flow:** exhaust over struts
- Connection:** terminal or 22 AWG lead wire
- Protection:** thermal
- Option:** IP55; IP55 + salt fog

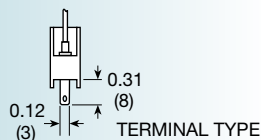


Model No.	Rated Voltage V	Freq. HZ	Input Power W	Rated Cur. A	Locked Cur. A	Speed RPM	Air Volume		Max. Static Pressure (H <sub>2</sub> O)		Sound Noise db	Weight lbs
							M <sup>3</sup> /Min.	CFM	MM	INCH		
UF15KC12 - _H	115	60	38	0.34	0.76	3400	8.3	293	23	0.90	60	2.3
UF15KC23 - _H	230	60	38	0.17	0.38	3400	8.3	293	23	0.90	60	2.3

## UF15KM series



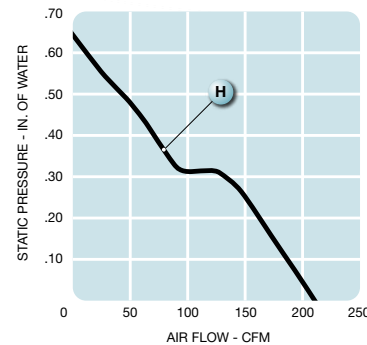
LEAD WIRE



**Size: (172 x 150 x 55 mm)**  
**6.77 x 5.91 x 2.17 inches**

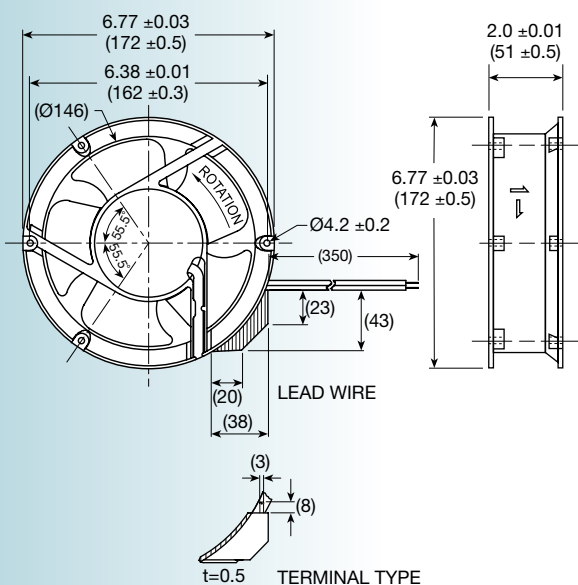
**Features:** *metal frame and impeller; Class F (155°) insulation; operating temperature range -40°C ~ 90°C, high-temp bearing lubricant*

**Operating voltage (VAC):** 115 or 230  
**Construction:** aluminum die cast frame; metal impeller  
**Bearing option:** motor quality ball bearings  
**Motor:** shaded pole  
**Air flow:** exhaust over struts  
**Connection:** terminal or 22 AWG lead wire  
**Protection:** thermal

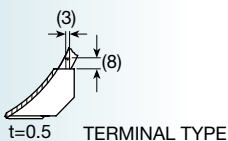


Model No.	Rated Voltage V	Freq. HZ	Input Power W	Rated Cur. A	Locked Cur. A	Speed RPM	Air Volume		Max. Static Pressure (H <sub>2</sub> O)		Sound Noise db	Weight oz
							M <sup>3</sup> /Min.	CFM	MM	INCH		
UF15KM12 -__H	115	60	42	0.47	0.75	3,250	6.5	230	16	0.63	53	39
UF15KM23 -__H	230	60	42	0.23	0.37	3,250	6.5	230	16	0.63	53	39

## UF17PC series

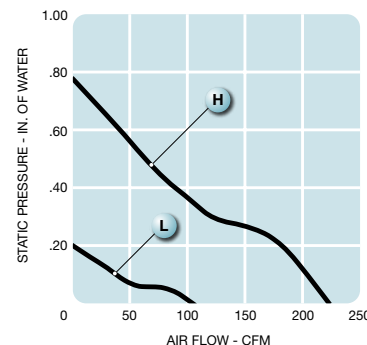


LEAD WIRE



**Size: (172 dia. x 51 mm)**  
**6.77 dia. x 2.0 inches**

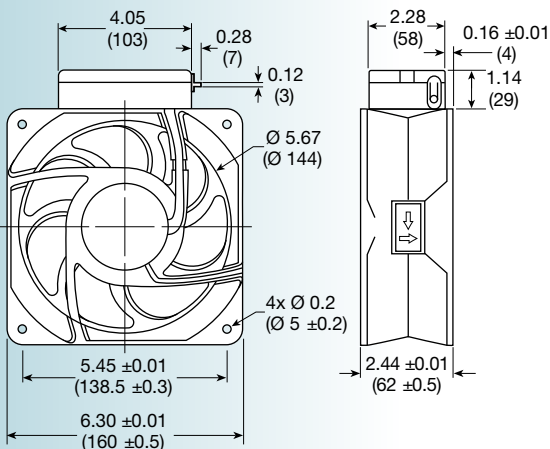
**Operating voltage (VAC):** 115 or 230  
**Construction:** aluminum die cast frame; UL94V-0 PBT impeller  
**Bearing option:** motor quality ball bearings  
**Motor:** permanent split capacitor  
**Air flow:** exhaust over struts  
**Connection:** terminal or 22 AWG lead wire  
**Protection:** thermal  
**Option:** IP55; IP55 + salt fog



Model No.	Rated Voltage V	Freq. HZ	Input Power W	Rated Cur. A	Locked Cur. A	Speed RPM	Air Volume		Max. Static Pressure (H <sub>2</sub> O)		Sound Noise db	Weight oz
							M <sup>3</sup> /Min.	CFM	MM	INCH		
UF17PC12 -__H	115	60	31	0.25	0.43	3,400	6.4	226	20	0.79	58	32
UF17PC23 -__H	230	60	29	0.12	0.19	3,400	6.4	226	20	0.79	58	32
UF17PC12 -__L	115	60	31	0.15	0.20	1,700	3.0	106	5.5	0.22	37	32
UF17PC23 -__L	230	60	29	0.07	0.09	1,700	3.0	106	5.5	0.22	37	32

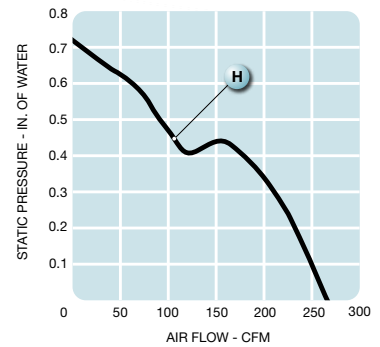


## UF16FC series



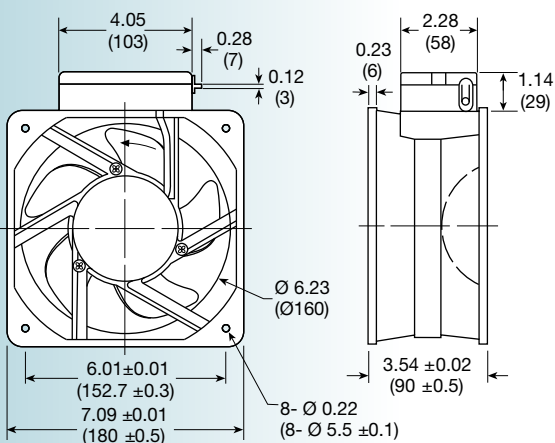
**Size: (160 x 160 x 62 mm)**  
**6.30 x 6.30 x 2.44 inches**

- Operating voltage (VAC):** 115 or 230
- Construction:** aluminum die cast frame; UL94V-0 PBT impeller
- Bearing option:** motor quality ball bearings
- Motor:** permanent split capacitor
- Air flow:** exhaust over struts
- Connection:** terminal
- Protection:** thermal



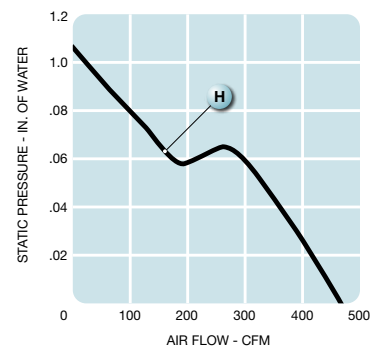
Model No.	Rated Voltage V	Freq. HZ	Input Power W	Rated Cur. A	Locked Cur. A	Speed RPM	Air Volume		Max. Static Pressure (H <sub>2</sub> O)		Sound Noise db	Weight LBS
							M <sup>3</sup> /Min.	CFM	MM	INCH		
UF16FC12 - __H	115	60	41	0.34	0.79	3,400	7.5	265	18.2	0.72	56	3
UF16FC23 - __H	230	60	41	0.17	0.41	3,400	7.5	265	18.2	0.72	56	3

## UF18JC series



**Size: (180 x 180 x 90 mm)**  
**7.09 x 7.09 x 3.54 inches**

- Operating voltage (VAC):** 115 or 230
- Construction:** aluminum die cast frame; UL94V-0 PBT impeller
- Bearing option:** motor quality ball bearings
- Motor:** permanent split capacitor
- Air flow:** exhaust over struts
- Connection:** terminal
- Protection:** thermal

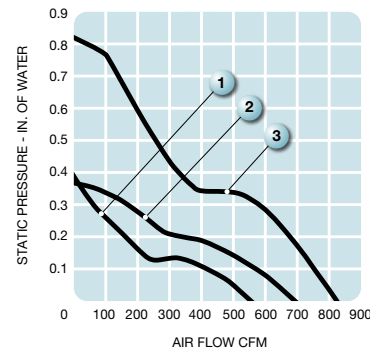
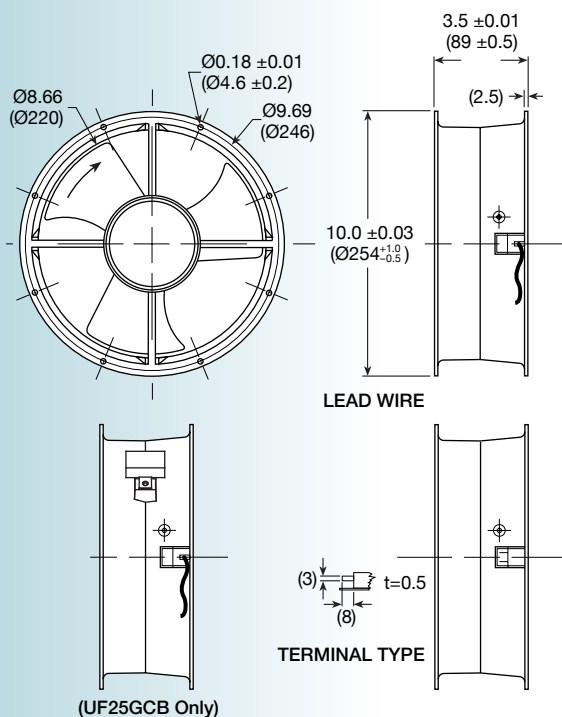


Model No.	Rated Voltage V	Freq. HZ	Input Power W	Rated Cur. A	Locked Cur. A	Speed RPM	Air Volume		Max. Static Pressure (H <sub>2</sub> O)		Sound Noise db	Weight LBS
							M <sup>3</sup> /Min.	CFM	MM	INCH		
UF18JC12 - __H	115	60	72	0.63	2.01	3,400	13	460	27	1.06	59	4.8
UF18JC23 - __H	230	60	72	0.31	1.01	3,400	13	460	27	1.06	59	4.8

## UF25GC series

**Size: (254 dia. x 89 mm)  
10.0 dia. x 3.5 inches**

**Operating voltage (VAC):** 115 or 230  
**Construction:** aluminum die cast frame; UL94V-0 PBT impeller  
**Bearing option:** motor quality ball bearings  
**Motor:** permanent split capacitor  
**Air flow:** exhaust over struts  
**Connection:** terminal or 22 AWG lead wire  
**Protection:** thermal

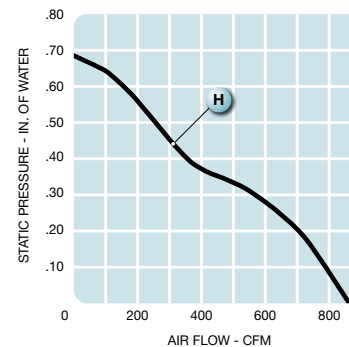
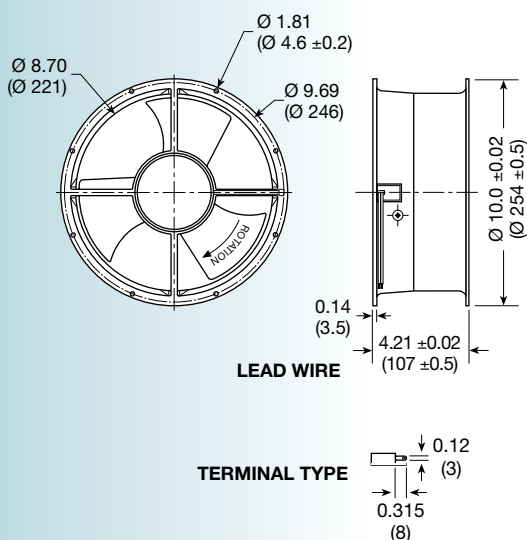


Model No.	Rated Voltage V	Freq. HZ	Input Power W	Rated Cur. A	Locked Cur. A	Speed RPM	Air Volume		Max. Static Pressure (H <sub>2</sub> O)		Sound Noise db	Weight LBS	Curve
							M <sup>3</sup> /Min.	CFM	MM	INCH			
UF25GC12-__H	115	60	33	0.29	0.51	1,650	15.5	550	10	0.40	55	1.9	1
UF25GC23-__H	230	60	33	0.14	0.25	1,650	15.5	550	10	0.40	55	1.9	1
UF25GCA12-__H	115	60	75	0.66	0.70	2,600	19.3	680	9.4	0.37	62	1.9	2
UF25GCA23-__H	230	60	75	0.35	0.36	2,600	19.3	680	9.4	0.37	62	1.9	2
UF25GCB12-__H	115	60	96	0.88	1.16	3,200	23.0	812	20.7	0.82	65	2.3	3
UF25GCB23-__H	230	60	98	0.45	0.60	3,200	23.0	812	20.7	0.82	65	2.3	3

## UF25HC series

**Size: (254 dia. x 107 mm)  
10.0 dia. x 4.21 inches**

**Operating voltage (VAC):** 115 or 230  
**Construction:** aluminum die cast frame; UL94V-0 PBT impeller  
**Bearing option:** motor quality ball bearings  
**Motor:** permanent split capacitor  
**Air flow:** exhaust over struts  
**Connection:** terminal or 22 AWG lead wire  
**Protection:** thermal



Model No.	Rated Voltage V	Freq. HZ	Input Power W	Rated Cur. A	Locked Cur. A	Speed RPM	Air Volume		Max. Static Pressure (H <sub>2</sub> O)		Sound Noise db	Weight LBS
							M <sup>3</sup> /Min.	CFM	MM	INCH		
UF25HC12-__H	115	60	125	1.07	1.50	2,750	24	850	17.5	0.68	65	5.5
UF25HC23-__H	230	60	125	0.50	0.75	2,750	24	850	17.5	0.68	65	5.5

# AC Motorized Impellers, Heavy Duty Axial and External Rotor Fans

## PART NUMBERING SYSTEM

**UF 220 A P A 12 - H1 C 2 A**

### AC Series

UF

### Size (mm)

220

### Impeller/External Rotor

**180:** 180 mm dia    **190:** 190 mm dia    **133:** 133 mm dia  
**220:** 220 mm dia    **225(xx):** 225 mm dia x (69, 85 or 99)  
**250:** 250 mm dia    **318:** 318 mm dia

### Heavy Duty Axial Fan

**200:** 225 mm sq. x 80 mm    **250:** 250 mm sq. x 80 mm

### Blower

**90:** 120 mm sq. x 37 mm

### Type

A

**A:** Centrifugal    **B:** Axial    **D:** Blower

### Impeller Material

P

**A:** Aluminum    **M:** Steel    **P:** Plastic

### Impeller Design

A

**A:** Backward curved, single air intake  
**B:** Forward curved, single air intake  
**C:** Forward curved, dual air intake

### Voltage

12

**12:** 115V    **23:** 230V    **38:** 380V

### Speed

H1

**H1, H2, . . . :** High    **M1, M2, . . . :** Medium    **L1, L2, . . . :** Low

### Motor Type

C

**A:** 3 Phase    **C:** Permanent Split Capacitor    **S:** Shaded Pole

### Poles

2

**2:** 2 Pole    **4:** 4 Pole    **6:** 6 Pole

### Custom Features

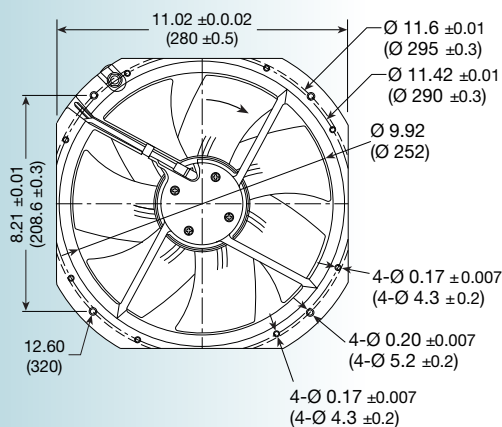
A

**A:** Standard with Frame  
**B:** With Guard/No Frame  
**E:** Without Frame or Guard  
**F:** With Integrated Mounting Disc

## UF250BMB-H1 series

### -H1C2A

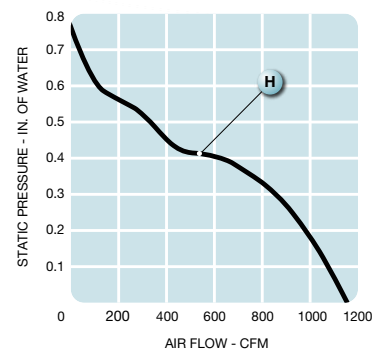
(standard with Frame)



**Size: (280 x 280 x 80 mm)**  
11.0 x 11.0 x 3.15 inches

**Features:** metal frame and impeller; Class F insulation; -20° ~ 70°C operating temperature range; high-temp bearing lubricant

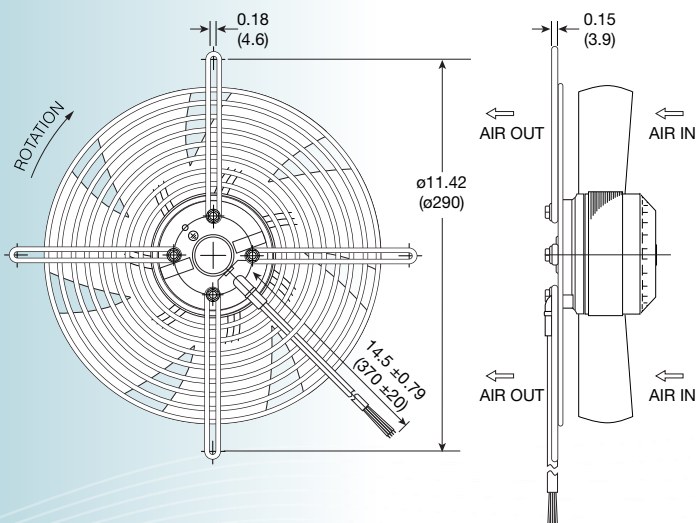
**Operating voltage (VAC):** 115 or 230  
**Bearing option:** motor quality ball bearings  
**Motor:** permanent split capacitor  
**Air flow:** exhaust over struts  
**Connection:** terminal/lead wires  
**Protection:** thermal



Model No.	Rated Voltage V	Freq. HZ	Input Power W	Rated Cur. A	Locked Cur. A	Speed RPM	Air Volume		Max. Static Pressure (H <sub>2</sub> O)		Sound Noise db
							M <sup>3</sup> /Min.	CFM	MM	INCH	
UF250BMB12-H1	115	60	148	1.50	1.90	2700	32	1130	20	0.78	70
UF250BMB23-H1	230	60	158	0.82	0.91	2700	32	1130	20	0.78	70

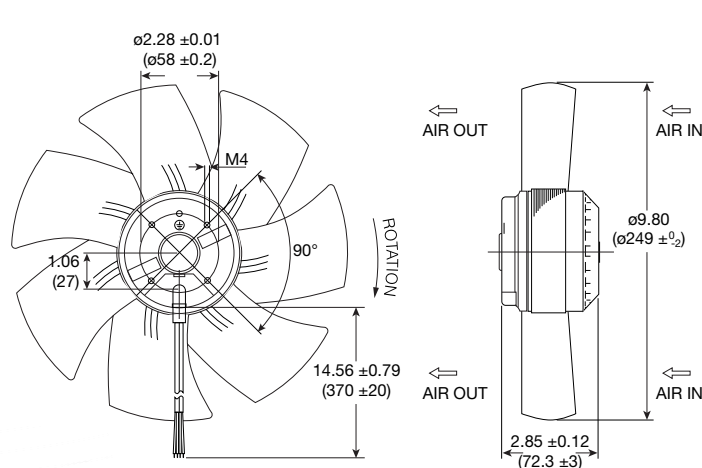
### -H1C2B

(With Guard/No Frame)



### -H1C2C

(Without Frame or Guard)

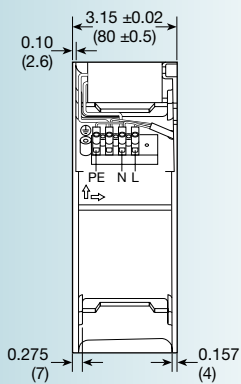
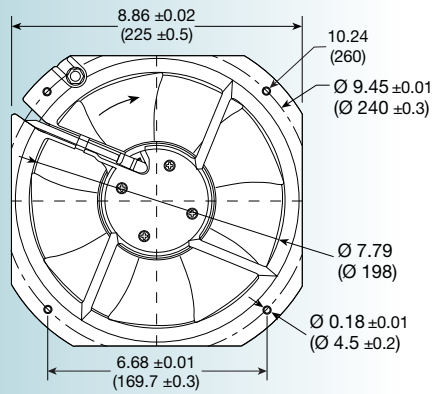




## UF200BMB-H2 series

### -H2C2A

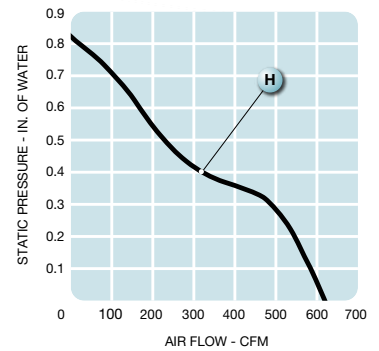
(standard with Frame)



**Size:** (225 x 225 x 80 mm)  
8.86 x 8.86 x 3.15 inches

**Features:** metal frame and impeller; Class F insulation; -20° ~ 70°C operating temperature range; high-temp bearing lubricant

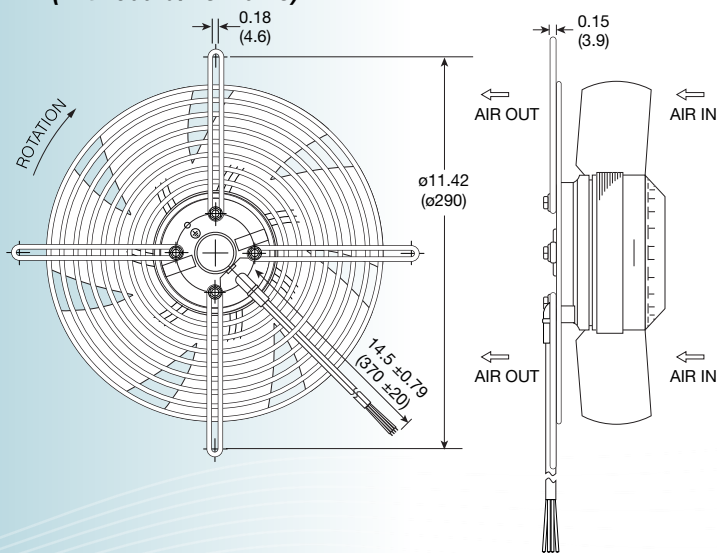
**Operating voltage (VAC):** 115 or 230  
**Bearing option:** motor quality ball bearings  
**Motor:** permanent split capacitor  
**Air flow:** exhaust over struts  
**Connection:** terminal/lead wires  
**Protection:** thermal



Model No.	Rated Voltage V	Freq. HZ	Input Power W	Rated Cur. A	Locked Cur. A	Speed RPM	Air Volume		Max. Static Pressure (H <sub>2</sub> O)		Sound Noise db
							M <sup>3</sup> /Min.	CFM	MM	INCH	
UF200BMB12-H2	115	60	100	0.88	1.31	3000	17.7	625	20.5	0.81	61
UF200BMB23-H2	230	60	80	0.37	0.61	3000	17.7	625	20.5	0.81	61

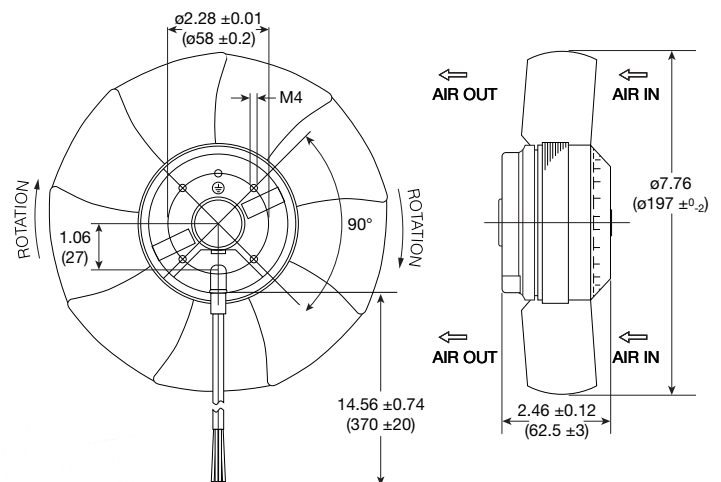
### -H2C2B

(With Guard/No Frame)

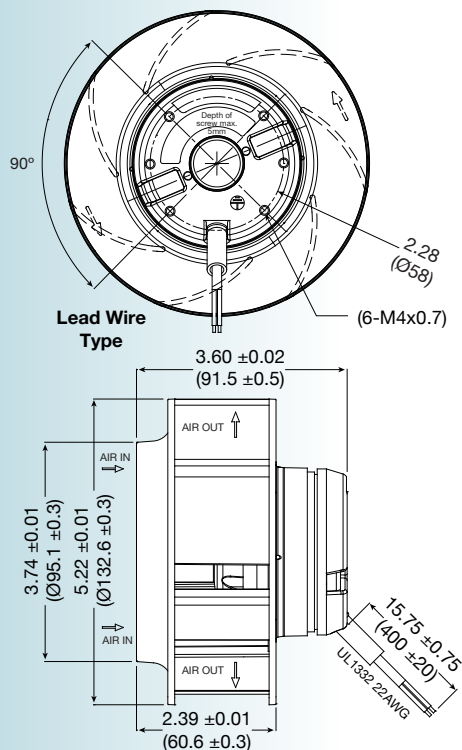


### -H2C2E

(Without Frame or Guard)

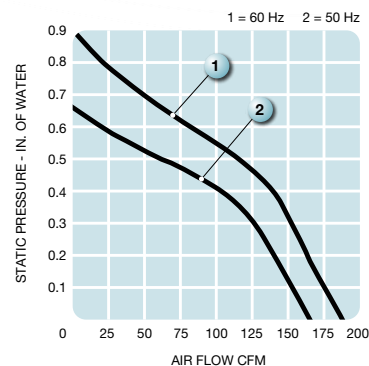


## UF133(91)APA series



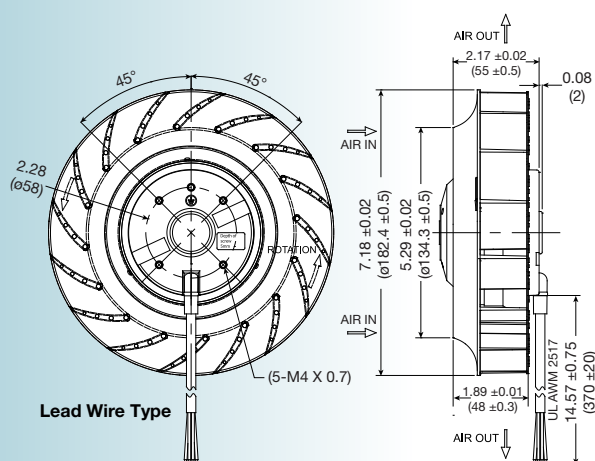
**Size:** (133 dia. x 91 mm)  
5.22 dia. x 3.60 inches

- Features:** *backward curved impeller*
- Operating voltage (VAC):** 115 or 230
- Operating temp:** -20° ~ 50°C
- Construction:** aluminum die cast motor base, UL94V-0 reinforced nylon impeller
- Bearing option:** motor quality ball bearings
- Motor:** 2 pole shaded pole, single phase
- Air flow:** centrifugal
- Connection:** 22 AWG lead wires
- Protection:** thermal
- Insulation:** Class B



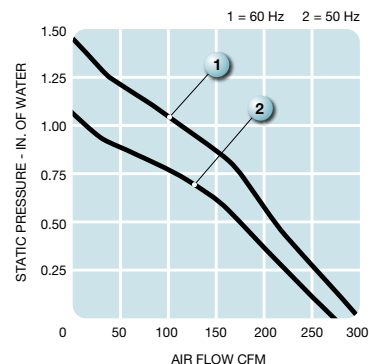
Model No.	Rated Voltage V	Freq. HZ	Input Power W	Rated Cur. A	Locked Cur. A	Speed RPM	Air Volume		Max. Static Pressure (H <sub>2</sub> O)		Sound Noise db	Weight LBS
							M <sup>3</sup> /Min.	CFM	MM	INCH		
UF133(91)APA12-H1S2A	115	50	38	0.50	0.83	2780	4.66	165	16.6	0.65	50	0.9
	115	60	37	0.43	0.72	3200	5.33	188	22.4	0.88	60	0.9
UF133(91)APA23-H1S2A	230	50	36	0.24	0.39	2780	4.66	165	16.6	0.65	50	0.9
	230	60	35	0.21	0.34	3200	5.33	188	22.4	0.88	60	0.9

## UF180(55)APA series

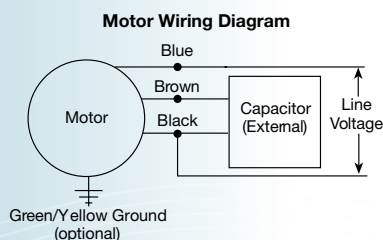


**Size:** (182 dia. x 55 mm)  
7.18 dia. x 2.17 inches

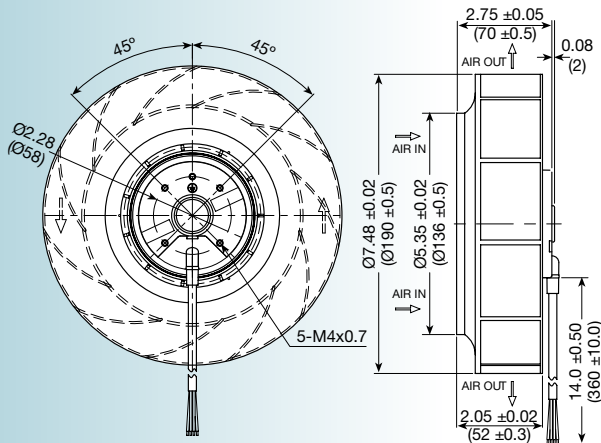
- Features:** *backward curved impeller*
- Operating voltage (VAC):** 115 or 230
- Operating temp:** -20° ~ 50°C
- Construction:** aluminum die cast motor base, UL94V-0 reinforced nylon impeller
- Bearing option:** motor quality ball bearings
- Motor:** 2 pole permanent split capacitor, single
- Air flow:** centrifugal
- Connection:** 22 AWG lead wires
- Protection:** thermal
- Insulation:** Class B



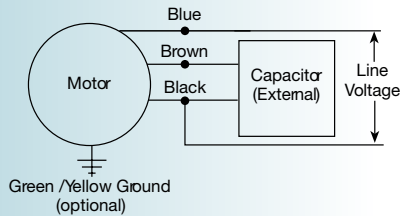
Model No.	Rated Voltage V	Freq. HZ	Input Power W	Rated Cur. A	Locked Cur. A	Speed RPM	Air Volume		Max. Static Pressure (H <sub>2</sub> O)		Sound Noise db	Weight LBS
							M <sup>3</sup> /Min.	CFM	MM	INCH		
UF180(55)APA12-H1C2A	115	50	68	0.60	0.92	2550	7.5	265	26	1.0	64	1.2
	115	60	78	0.70	0.95	2800	8.3	290	36	1.4	67	1.2
UF180(55)APA23-H1C2A	230	50	68	0.30	0.46	2550	7.5	265	26	1.0	64	1.2
	230	60	78	0.34	0.48	2800	8.3	290	36	1.4	67	1.2



## UF190APA series

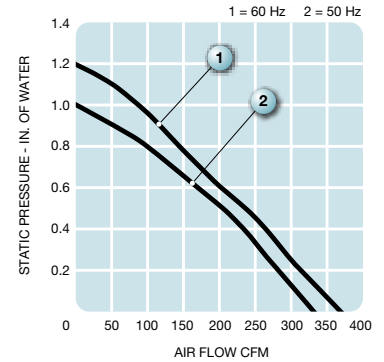


Motor Wiring Diagram



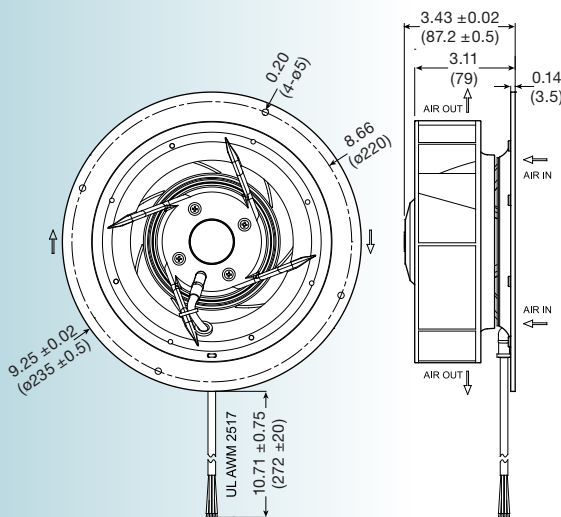
**Size: (190 dia. x 70 mm)**  
7.48 dia. x 2.75 inches

- Features:** *backward curved impeller*
- Operating voltage (VAC):** 115 or 230
- Operating temp:** -40° ~ 50°C
- Construction:** aluminum die cast motor base, UL94V-0 reinforced nylon impeller
- Bearing option:** motor quality ball bearings
- Motor:** 2 pole permanent split capacitor, single phase
- Air flow:** centrifugal
- Connection:** 22 AWG lead wires
- Protection:** thermal
- Insulation:** Class B

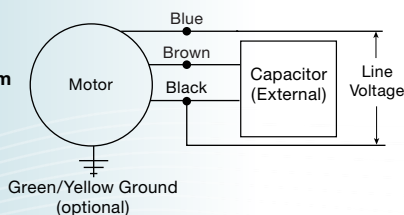


Model No.	Rated Voltage V	Freq. HZ	Input Power W	Rated Cur. A	Locked Cur. A	Speed RPM	Air Volume		Max. Static Pressure (H <sub>2</sub> O)		Sound Noise db	Weight kg
							M <sup>3</sup> /Min.	CFM	MM	INCH		
UF190APA12-H1C2A	115	50	55	0.45	0.92	2500	9.5	335	25	1.0	60	1.2
	115	60	65	0.54	0.91	2700	10.4	370	30	1.2	63	1.2
UF190APA23-H1C2A	230	50	57	0.23	0.43	2500	9.5	335	25	1.0	60	1.2
	230	60	72	0.30	0.45	2700	10.4	370	30	1.2	63	1.2

## UF190APA-F series

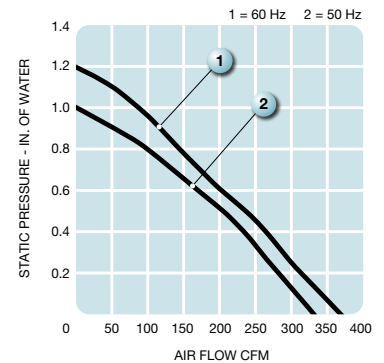


Motor Wiring Diagram



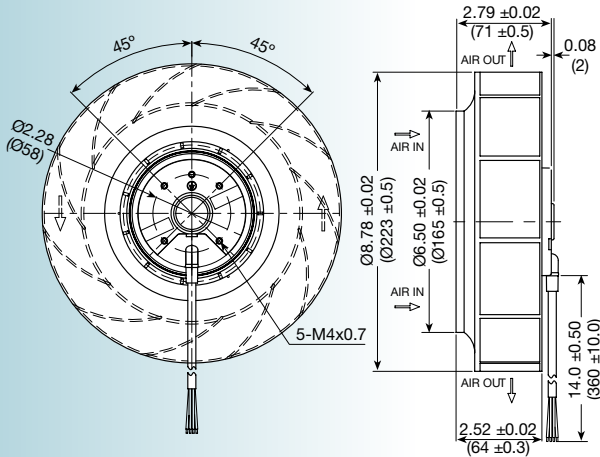
**Size: (235 dia. x 87.2 mm)**  
9.25 dia. x 3.43 inches

- Features:** *integrated mounting plate acts as inlet ring*
- Operating voltage (VAC):** 115 or 230
- Operating temp:** -40° ~ 50°C
- Construction:** aluminum die cast motor base, UL94V-0 reinforced nylon impeller
- Bearing option:** motor quality ball bearings
- Motor:** 2 pole permanent split capacitor, single phase
- Air flow:** centrifugal
- Connection:** 22 AWG lead wires
- Protection:** thermal
- Insulation:** Class B

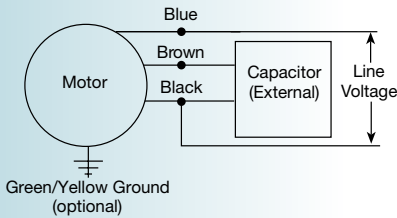


Model No.	Rated Voltage V	Freq. HZ	Input Power W	Rated Cur. A	Locked Cur. A	Speed RPM	Air Volume		Max. Static Pressure (H <sub>2</sub> O)		Sound Noise db	Weight kg
							M <sup>3</sup> /Min.	CFM	MM	INCH		
UF190APA12-H2C2F	115	50	55	0.45	0.92	2500	9.5	335	25	1.0	60	1.2
	115	60	65	0.54	0.91	2700	10.4	370	30	1.2	63	1.2
UF190APA23-H2C2F	230	50	57	0.23	0.43	2500	9.5	335	25	1.0	60	1.2
	230	60	72	0.30	0.45	2700	10.4	370	30	1.2	63	1.2

## UF220APA series

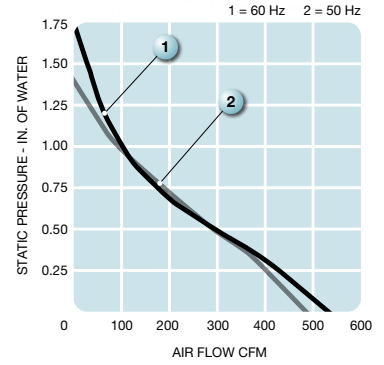


Motor Wiring Diagram



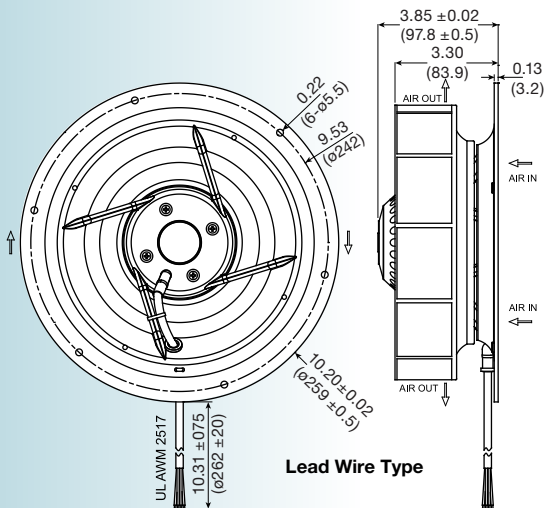
**Size: (223 dia. x 71 mm)**  
**8.78 dia. x 2.79 inches**

- Features:** *backward curved impeller*
- Operating voltage (VAC):** 115 or 230
- Operating temp:** -40° ~ 50°C
- Construction:** aluminum die cast motor base, UL94V-0 reinforced nylon impeller
- Bearing option:** motor quality ball bearings
- Motor:** 2 pole permanent split capacitor, single phase
- Air flow:** centrifugal
- Connection:** 22 AWG lead wires
- Protection:** thermal
- Insulation:** Class B

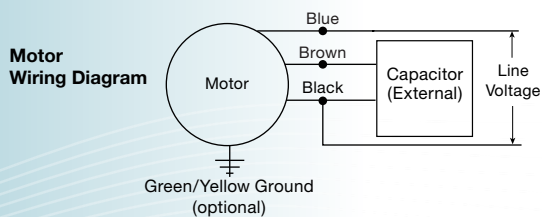


Model No.	Rated Voltage V	Freq. HZ	Input Power W	Rated Cur. A	Locked Cur. A	Speed RPM	Air Volume		Max. Static Pressure (H <sub>2</sub> O)		Sound Noise db	Weight kg
							M <sup>3</sup> /Min.	CFM	MM	INCH		
UF220APA12-H2C2A	115	50	90	0.63	0.88	2500	14	500	35	1.4	65	1.5
	115	60	117	0.80	0.93	2650	15	530	38	1.7	70	1.5
UF220APA23-H2C2A	230	50	90	0.35	0.47	2500	14	500	35	1.4	65	1.5
	230	60	117	0.39	0.49	2650	15	530	38	1.7	70	1.5

## UF220APA-F series

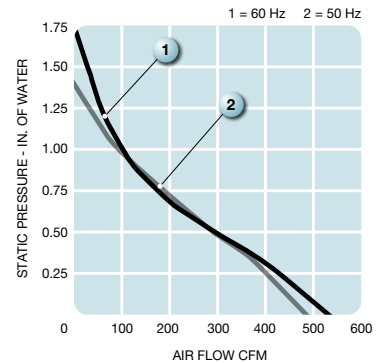


Lead Wire Type



**Size: (259 dia. x 97.8 mm)**  
**10.20 dia. x 3.83 inches**

- Features:** *integrated mounting plate acts as inlet ring*
- Operating voltage (VAC):** 115 or 230
- Operating temp:** -40° ~ 50°C
- Construction:** aluminum die cast motor base, UL94V-0 reinforced nylon impeller
- Bearing option:** motor quality ball bearings
- Motor:** 2 pole permanent split capacitor, single phase
- Air flow:** centrifugal
- Connection:** 22 AWG lead wires
- Protection:** thermal
- Insulation:** Class B



Model No.	Rated Voltage V	Freq. HZ	Input Power W	Rated Cur. A	Locked Cur. A	Speed RPM	Air Volume		Max. Static Pressure (H <sub>2</sub> O)		Sound Noise db	Weight kg
							M <sup>3</sup> /Min.	CFM	MM	INCH		
UF220APA12-H2C2F	115	50	90	0.63	0.88	2500	14	500	35	1.4	65	1.9
	115	60	117	0.80	0.93	2650	15	530	38	1.7	70	1.9
UF220APA23-H2C2F	230	50	90	0.35	0.47	2500	14	500	35	1.4	65	1.9
	230	60	117	0.39	0.49	2650	15	530	38	1.7	70	1.9



## UF225(69)APA series

**Size: (225 dia. x 69 mm)**  
**8.86 dia. x 2.72 inches**

**Features:** *backward curved impeller*

**Operating voltage (VAC):** 115 or 230

**Operating temp:** -40° ~ 50°C

**Construction:** aluminum die cast motor base, UL94V-0 reinforced nylon impeller

**Bearing option:** motor quality ball bearings

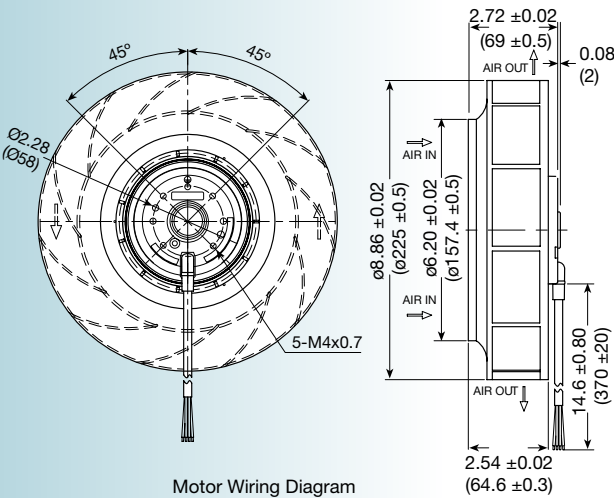
**Motor:** 2 pole permanent split capacitor, single phase

**Air flow:** centrifugal

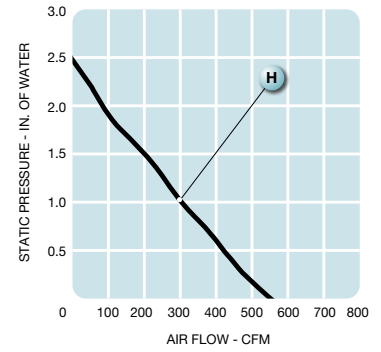
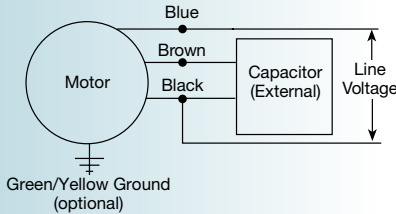
**Connection:** AWM 2517 lead wires

**Protection:** thermal

**Insulation:** Class B



Motor Wiring Diagram



Model No.	Rated Voltage V	Freq. HZ	Input Power W	Rated Cur. A	Locked Cur. A	Speed RPM	Air Volume		Max. Static Pressure (H <sub>2</sub> O)		Sound Noise db	Weight kg
							M <sup>3</sup> /Min.	CFM	MM	INCH		
UF225(69)APA12-H1C2A	115	60	160	1.08	2.30	2950	15.6	550	58	2.3	72	2.3
UF225(69)APA23-H1C2A	230	60	157	0.54	1.15	2950	15.6	550	58	2.3	72	2.3

## UF225(85)APA series

**Size: (225 dia. x 85 mm)**  
**8.86 dia. x 3.35 inches**

**Features:** *backward curved impeller*

**Operating voltage (VAC):** 115 or 230

**Operating temp:** -40° ~ 50°C

**Construction:** aluminum die cast motor base, UL94V-0 reinforced nylon impeller

**Bearing option:** motor quality ball bearings

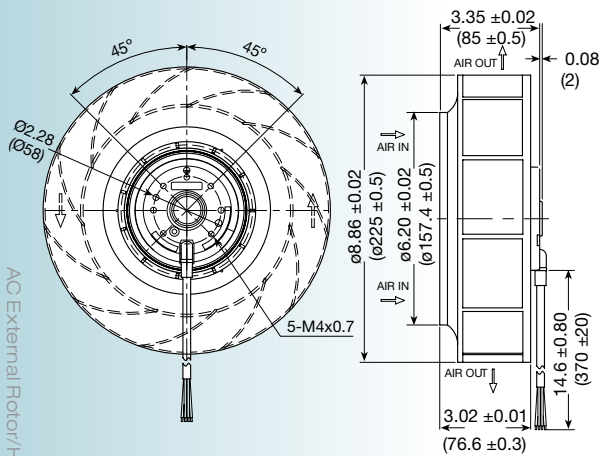
**Motor:** 2 pole permanent split capacitor, single phase

**Air flow:** centrifugal

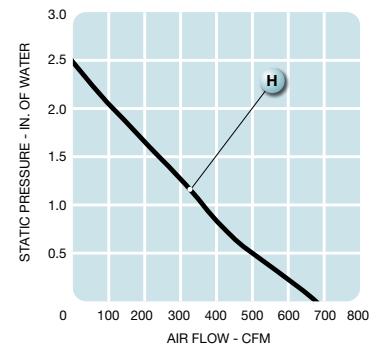
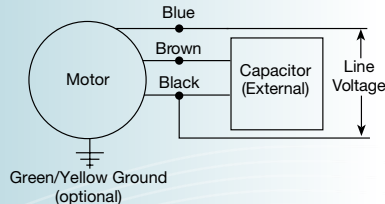
**Connection:** AWM 2517 lead wires

**Protection:** thermal

**Insulation:** Class B

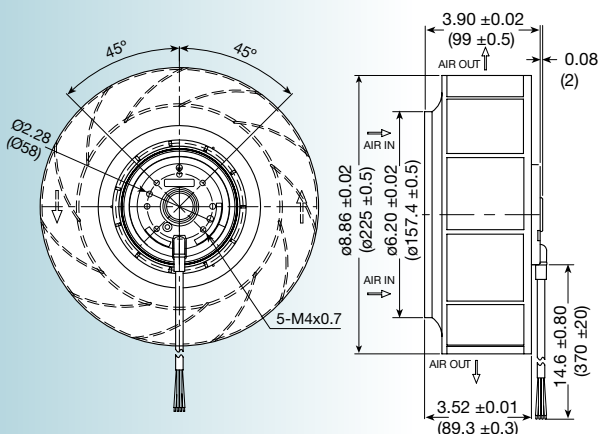


Motor Wiring Diagram

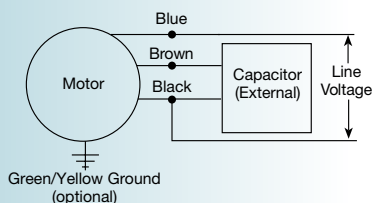


Model No.	Rated Voltage V	Freq. HZ	Input Power W	Rated Cur. A	Locked Cur. A	Speed RPM	Air Volume		Max. Static Pressure (H <sub>2</sub> O)		Sound Noise db	Weight kg
							M <sup>3</sup> /Min.	CFM	MM	INCH		
UF225(85)APA12-H1C2A	115	60	160	1.20	2.30	3000	19.2	680	64	2.5	75	2.3
UF225(85)APA23-H1C2A	230	60	157	0.60	1.15	3000	19.2	680	64	2.5	75	2.3

## UF225(99)APA series

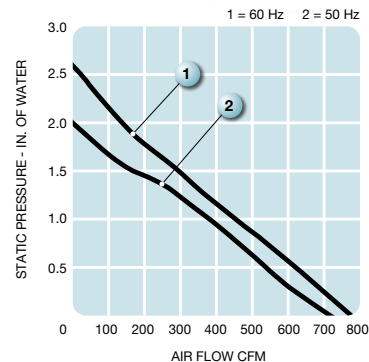


Motor Wiring Diagram



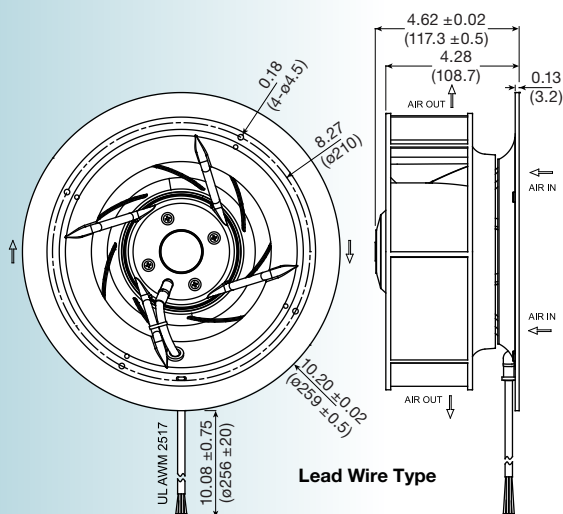
**Size:** (225 dia. x 99 mm)  
8.86 dia. x 3.90 inches

- Features:** backward curved impeller
- Operating voltage (VAC):** 115 or 230
- Operating temp:** -40° ~ 50°C
- Construction:** aluminum die cast motor base, UL94V-0 reinforced nylon impeller
- Bearing option:** motor quality ball bearings
- Motor:** 2 pole permanent split capacitor, single phase
- Air flow:** centrifugal
- Connection:** AWM 2517 lead wires
- Protection:** thermal
- Insulation:** Class B



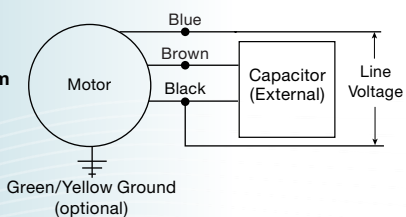
Model No.	Rated Voltage V	Freq. HZ	Input Power W	Rated Cur. A	Locked Cur. A	Speed RPM	Air Volume		Max. Static Pressure (H <sub>2</sub> O)		Sound Noise db	Weight kg
							M <sup>3</sup> /Min.	CFM	MM	INCH		
UF225APA(99)12-H1C2A	115	50	128	1.16	2.22	2650	20	700	51	2.0	69	2.3
	115	60	160	1.41	2.30	2950	22	770	66	2.6	71	2.3
UF225APA(99)23-H1C2A	230	50	126	0.57	1.14	2650	20	700	51	2.0	69	2.3
	230	60	157	0.70	1.15	2950	22	770	66	2.6	71	2.3

## UF225(99)APA-F series



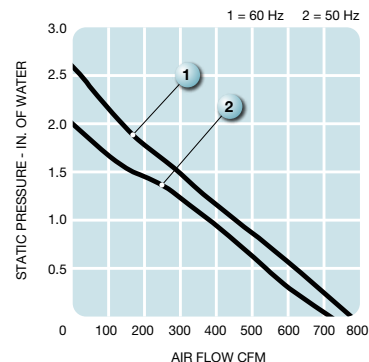
Lead Wire Type

Motor Wiring Diagram



**Size:** (259 dia. x 117 mm)  
10.20 dia. x 4.62 inches

- Features:** integrated mounting plate acts as inlet ring
- Operating voltage (VAC):** 115 or 230
- Operating temp:** -40° ~ 50°C
- Construction:** aluminum die cast motor base, UL94V-0 reinforced nylon impeller
- Bearing option:** motor quality ball bearings
- Motor:** 2 pole permanent split capacitor, single phase
- Air flow:** centrifugal
- Connection:** AWM 2517 lead wires
- Protection:** thermal
- Insulation:** Class B

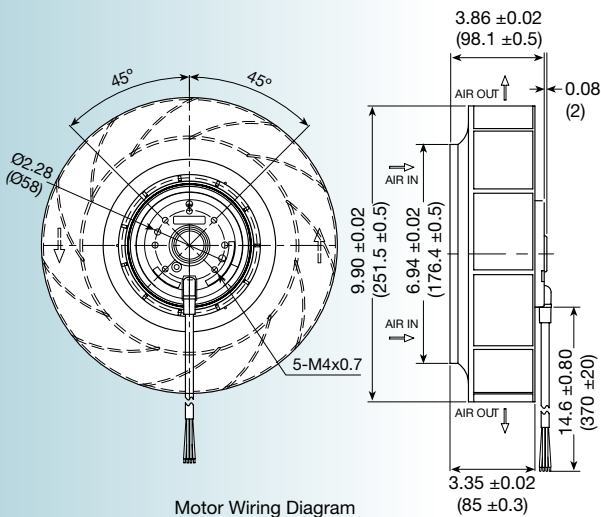
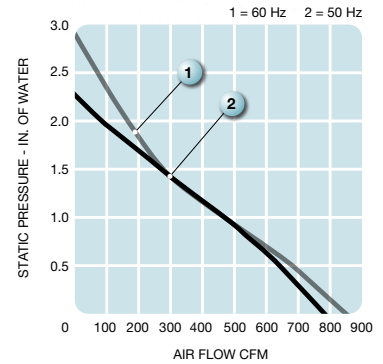


Model No.	Rated Voltage V	Freq. HZ	Input Power W	Rated Cur. A	Locked Cur. A	Speed RPM	Air Volume		Max. Static Pressure (H <sub>2</sub> O)		Sound Noise db	Weight kg
							M <sup>3</sup> /Min.	CFM	MM	INCH		
UF225APA(99)12-H1C2F	115	50	128	1.16	2.22	2650	20	700	51	2.0	69	2.6
	115	60	160	1.41	2.30	2950	22	770	66	2.6	71	2.6
UF225APA(99)23-H1C2F	230	50	126	0.57	1.14	2650	20	700	51	2.0	69	2.6
	230	60	157	0.70	1.15	2950	22	770	66	2.6	71	2.6

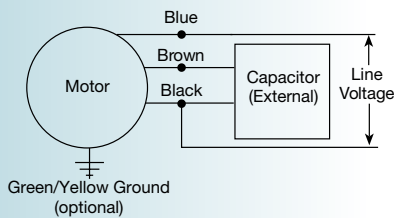
## UF250APA series

**Size: (251 dia. x 98 mm)**  
**9.90 dia. x 3.86 inches**

- Features:** *backward curved impeller*
- Operating voltage (VAC):** 115 or 230
- Operating temp:** -40° ~ 50°C
- Construction:** aluminum die cast motor base, UL94V-0 reinforced nylon impeller
- Bearing option:** motor quality ball bearings
- Motor:** 2 pole permanent split capacitor, single phase
- Air flow:** centrifugal
- Connection:** AWM 2517
- Protection:** thermal
- Insulation:** Class B



Motor Wiring Diagram

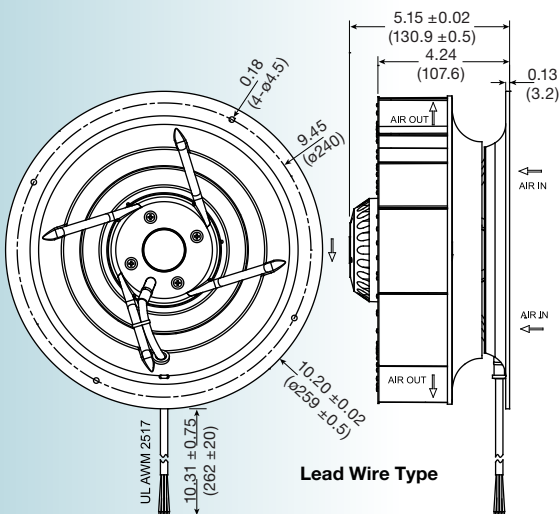
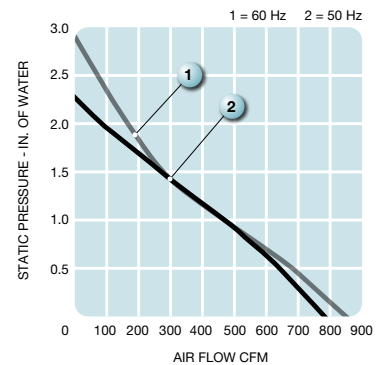


Model No.	Rated Voltage V	Freq. HZ	Input Power W	Rated Cur. A	Locked Cur. A	Speed RPM	Air Volume		Max. Static Pressure (H <sub>2</sub> O)		Sound Noise db	Weight kg
							M <sup>3</sup> /Min.	CFM	MM	INCH		
UF250APA12-H1C2A	115	50	170	1.50	3.10	2600	22	770	56	2.2	75	3.1
	115	60	240	2.10	3.00	2700	24	850	74	2.9	76	3.1
UF250APA12-H1C2A	230	50	170	0.77	1.57	2600	22	770	56	2.2	75	3.1
	230	60	240	1.00	1.52	2700	24	850	74	2.9	76	3.1

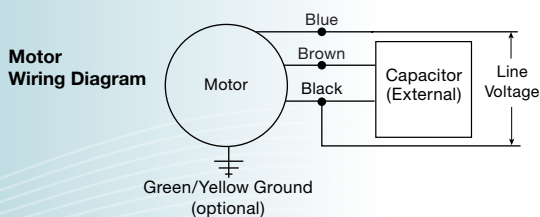
## UF250APA-F series

**Size: (259 dia. x 131 mm)**  
**10.20 dia. x 5.15 inches**

- Features:** *integrated mounting plate act as inlet ring*
- Operating voltage (VAC):** 115 or 230
- Operating temp:** -40° ~ 50°C
- Construction:** aluminum die cast motor base, UL94V-0 reinforced nylon impeller
- Bearing option:** motor quality ball bearings
- Motor:** 2 pole permanent split capacitor, single phase
- Air flow:** centrifugal
- Connection:** AWM 2517
- Protection:** thermal
- Insulation:** Class B



Lead Wire Type

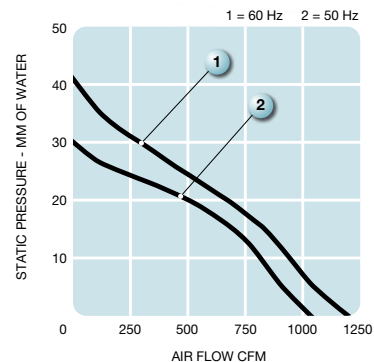
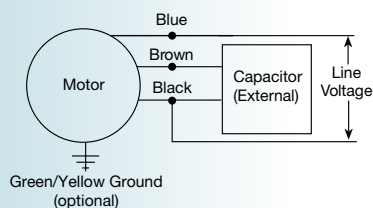
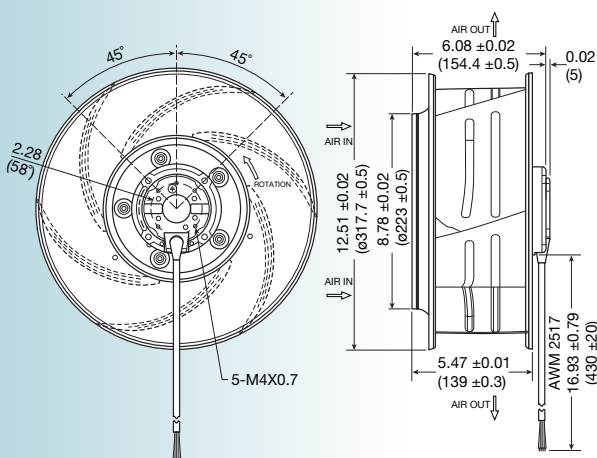


Model No.	Rated Voltage V	Freq. HZ	Input Power W	Rated Cur. A	Locked Cur. A	Speed RPM	Air Volume		Max. Static Pressure (H <sub>2</sub> O)		Sound Noise db	Weight kg
							M <sup>3</sup> /Min.	CFM	MM	INCH		
UF250APA12-H1C2F	115	50	170	1.50	3.10	2600	22	770	56	2.2	75	3.3
	115	60	240	2.10	3.00	2700	24	850	74	2.9	76	3.3
UF250APA12-H1C2F	230	50	170	0.77	1.57	2600	22	770	56	2.2	75	3.3
	230	60	240	1.00	1.52	2700	24	850	74	2.9	76	3.3

## UF318AAA series

**Size: (318 dia. x 154 mm)  
12.5 dia. x 6.08 inches**

- Features:** *backward curved impeller*  
**Operating voltage (VAC):** 115 or 230  
**Operating temp:** -20° ~ 50°C  
**Construction:** aluminum die cast motor base, aluminum impeller  
**Bearing option:** motor quality ball bearings  
**Motor:** 4 pole permanent split capacitor, single phase  
**Air flow:** centrifugal  
**Connection:** AWM 2517 lead wires  
**Protection:** thermal  
**Insulation:** Class B

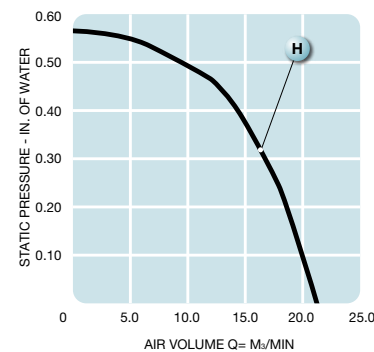
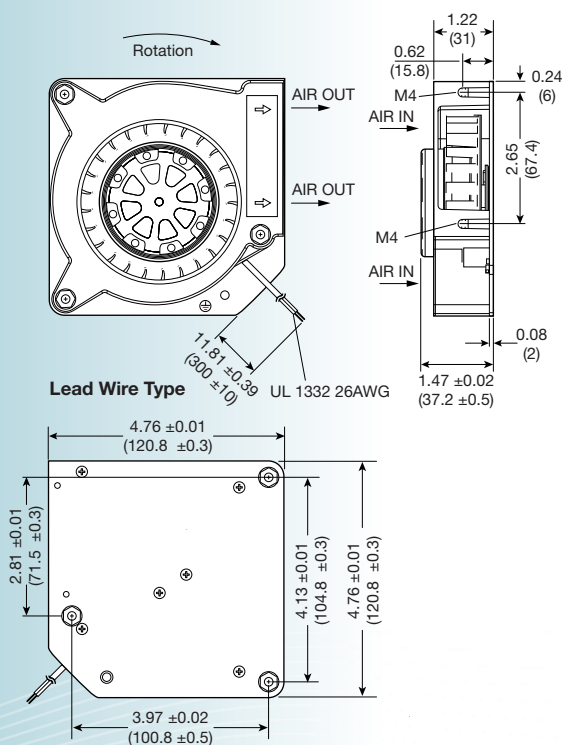


Model No.	Rated Voltage V	Freq. HZ	Input Power W	Rated Cur. A	Locked Cur. A	Speed RPM	Air Volume		Max. Static Pressure (H <sub>2</sub> O)		Sound Noise db	Weight kg
							M <sup>3</sup> /Min.	CFM	MM	INCH		
UF318AAA12-H1C4A	115	50	115	1.00	2.00	1390	28.8	1015	30	1.2	61	3.8
	115	60	160	1.43	2.00	1580	33.0	1165	40	1.6	64	3.8
UF318AAA23-H1C4A	230	50	115	0.56	1.40	1390	28.8	1015	30	1.2	61	3.8
	230	60	160	0.70	1.30	1580	33.0	1165	40	1.6	64	3.8

## UF90DPB series

**Size: (120 x 120 x 37 mm)  
4.72 x 4.72 x 1.46 inches**

- Features:** *single inlet blower*  
**Operating voltage (VAC):** 115 or 230  
**Operating temp:** -40° ~ 60°C  
**Construction:** aluminum die cast motor base; UL94V-0 reinforced nylon impeller  
**Bearing option:** motor quality ball bearings  
**Motor:** shaded pole  
**Air flow:** centrifugal  
**Connection:** UL1332 26AWG lead wires  
**Protection:** thermal  
**Insulation:** Class B

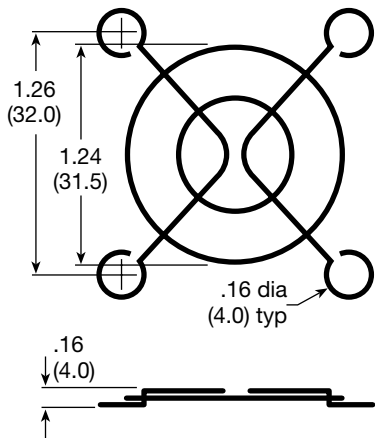


Model No.	Rated Voltage V	Freq. HZ	Input Power W	Rated Cur. A	Locked Cur. A	Speed RPM	Air Volume		Max. Static Pressure (H <sub>2</sub> O)		Sound Noise db	Weight kg
							M <sup>3</sup> /Min.	CFM	MM	INCH		
UF90DPB12-H1S2A	115	60	18	0.21	0.26	2700	0.60	21	13	0.50	51	0.66
UF90DPB23-H1S2A	230	60	18	0.10	0.12	2700	0.60	21	13	0.50	51	0.66

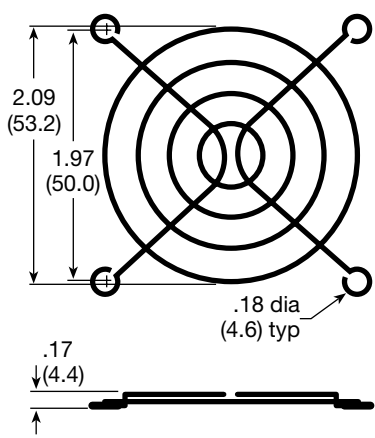


# Finger Guards

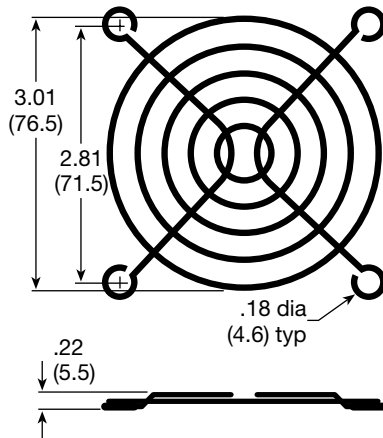
**SGR-14 (40 mm Fans)**



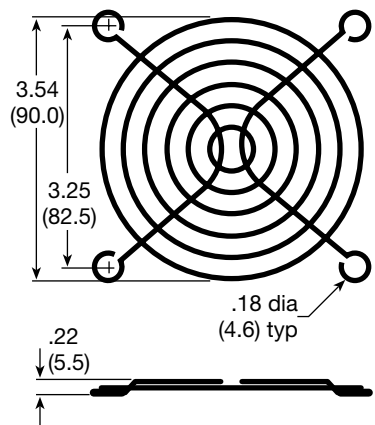
**SGR-24 (60 mm Fans)**



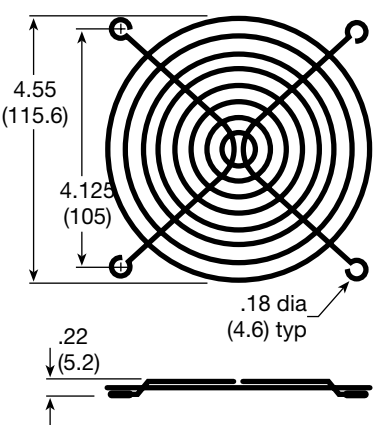
**SGR-31 (80 mm Fans)**



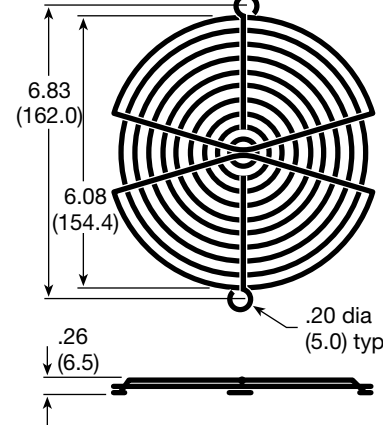
**SGR-36 (92 mm Fans)**



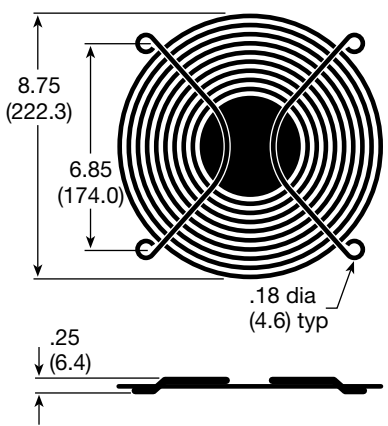
**SGR-47 (120 mm Fans)**



**SGR-59 (172 mm Fans)**



**MG-25 (254 mm Fans)**



Standard nickel chrome finish (0.0005 in.) or black upon request. Metal fan guards are designed to meet UL spacing requirements. Plastic guards are available in most frame sizes.

.xxx ±0.005

.xx ±0.02



# Conversion Charts

STATIC PRESSURE	
mm H2O	in H2O
0.5	0.02
1.0	0.04
1.5	0.06
2.0	0.08
2.5	0.10
3.0	0.12
3.5	0.14
4.0	0.16
4.5	0.18
5.0	0.20
6.0	0.24
7.0	0.28
8.0	0.31
9.0	0.35
10.0	0.39
11.0	0.43
12.0	0.47
13.0	0.51
14.0	0.55
15.0	0.59
16.0	0.63
17.0	0.67
18.0	0.71
19.0	0.75
20.0	0.79
22.0	0.87
23.0	0.91
24.0	0.94
25.0	0.98

AIR FLOW		
l/sec	m3/min	cfm
0.8	0.05	1.8
1.7	0.10	3.5
2.5	0.15	5.3
3.3	0.20	7.1
4.2	0.25	8.8
5.0	0.30	10.6
6.7	0.40	14.1
8.3	0.50	17.6
10.0	0.60	21.2
11.7	0.70	24.7
13.3	0.80	28.2
15.0	0.90	31.8
16.7	1.00	35.3
18.3	1.10	38.8
20.0	1.20	42.3
21.7	1.30	45.9
23.3	1.40	49.4
25.0	1.50	52.9
33.3	2.00	70.6
41.7	2.50	88.2
50.0	3.00	105.9
66.7	4.00	141.2
83.3	5.00	176.4
100.0	6.00	211.7
116.7	7.00	247.0
133.3	8.00	282.3
150.0	9.00	317.6
166.7	10.00	352.9

LENGTH	
mm	in
2	1/16
3	1/8
5	3/16
6	1/4
8	5/16
10	3/4
11	7/16
13	1/2
14	9/16
16	5/8
17	11/16
19	3/4
21	13/16
22	7/8
24	15/16
25	1
38	1.5
51	2
64	2.5
76	3
102	4
127	5
152	6
203	8
254	10
305	12
381	15
508	20

TEMPERATURE	
°C	°F
-10.0	14.0
-5.0	23.0
0.0	32.0
1.0	33.8
2.0	35.6
3.0	37.4
4.0	39.2
5.0	41.0
6.0	42.8
7.0	44.6
8.0	46.4
9.0	48.2
10.0	50.0
15.0	59.0
20.0	68.0
25.0	77.0
30.0	86.0
35.0	95.0
40.0	104.0
45.0	113.0
50.0	122.0
55.0	131.0
60.0	140.0
65.0	149.0
70.0	158.0
80.0	176.0
90.0	194.0
100.0	212.0

WEIGHT	
g	oz
1	0.04
5	0.18
10	0.35
15	0.35
20	0.71
25	0.88
30	1.06
35	1.23
40	1.41
45	1.59
50	1.76
55	1.94
60	2.12
65	2.29
70	2.47
80	2.82
85	3.00
90	3.17
95	3.35
100	3.53
110	3.88
120	4.23
130	4.59
140	4.94
150	5.29
200	7.05
250	8.82
300	10.58

## DC Fans



## AC Fans



## High Performance



## Motorized Impellers



Mechatronics Fan Group  
of Mechatronics Inc.  
8152 304th Ave SE  
PO Box 5012  
Preston, WA 98050

Visit the Mechatronics website for more information about our full line of products.

**[www.mechatronics.com](http://www.mechatronics.com)**

**800.453.4569**

email: [sales@mechatronics.com](mailto:sales@mechatronics.com)



**Mechatronics Inc.** is a leading manufacturing, distribution and contract manufacturing corporation with four operating groups. Mechatronics ISO 9001:2000 registered operating groups are respected by customers and vendors around the world. Our corporate diversification has enabled us to achieve consistent growth in all markets for over 25 years.

## Mechatronics Fan Group of Mechatronics Inc.

8152 304th Ave. SE  
PO Box 5012  
Preston, WA 98050

Toll Free: 800-453-4569  
Tel: 425-222-5900  
Fax: 425-222-5155

Email: [sales@mechatronics.com](mailto:sales@mechatronics.com)  
[www.mechatronics.com](http://www.mechatronics.com)



**National Precision Bearing Group** is a leading national supplier of precision miniature ball bearings, aircraft bearings and industrial bearings to a worldwide market. This group operates a class 1000 clean room and relubrication facility to support the needs of their aerospace, medical, dental, computer and industrial customer requirements.

*Toll Free Tel: (800) 426-8038*

*Tel: (425) 222-5900*

*Toll Free Fax: (888) 448-1153*

*Fax: (425) 222-5950*

*[www.nationalprecision.com](http://www.nationalprecision.com)*



**SilverThin Bearing Group** is a USA manufacturer of thin section bearings for the high technology, industrial and distribution markets.

*Toll Free Tel: (866) 294-5841*

*Tel: (425) 222-5900*

*Fax: (425) 222-7535*

*[www.silverthin.com](http://www.silverthin.com)*



**Mechatronics Fan Group** is a leading source of AC and DC axial cooling fans, fan assemblies and fan guards to the telecommunications, network equipment, office automation, medical and industrial markets.

*Toll Free Tel: (800) 453-4569*

*Tel: (425) 222-5900*

*Fax: (425) 222-5155*

*[www.mechatronics.com](http://www.mechatronics.com)*



**Mechatronics Representative Group** sells in specific US markets for Fujikura USA a world class manufacturer of cable assemblies, flexible printed circuitry, fiber optic cabling and heat dissipation devices to the computer and high technology industries.