

Sensors



Controls



Analyzers



Engineered
Systems



Alarms
Stations



Wireless



September 15, 2010

888-367-4286
713-559-9200
Fax: 281-292-2860

P.O.Box 8067
The Woodlands, Texas

www.detcon.com
sales@detcon.com

Table of Contents

Section	Description	Page
1	Gas Detection Sensors	3
1.1	Model Series 700 Gas Detection Sensor Assemblies	3
1.2	Model Series 600 MicroSafe Gas Detection Sensor Assemblies	8
1.3	Model Series 500 MicroSafe Gas Detection Sensor Assemblies	14
1.4	Model Series 400 Gas Detection Sensor Assemblies	19
1.5	Model Series 100 Low Power Gas Detection Sensor Assemblies	20
1.6	Detcon Sample Draw Manifold Assemblies	23
1.7	Fire Detection Sensor Assemblies	24
2	Gas Detection Control Systems	25
2.1	Model Series 10 Single Control Card Gas Detection Control Systems	25
2.2	Model Series 12 Single Control Card Gas Detection Control Systems	27
2.3	Model Series X40 Multi-Channel Gas Detection Control Systems	29
2.4	Model Series MCX-32 Multi-Channel Gas Detection Control Systems	31
2.5	Model 880A/S PLC Graphic Gas Detection Control Systems	32
2.6	Remote Displays	33
3	Gas Detection System Accessory Circuits	34
4	Power Supplies and Stand-by Battery Systems	35
5	Gas Detection Calibration Kits and Span Gas Cylinders	36
6	Special Application Products	38
7	Process Gas Analyzers	39
8	Audio Visual Alarm Stations	44
9	SmartWireless™ Technology	48

Section 1.0 Gas Detection Sensor Assemblies

Section 1.1 Model Series 700 Gas Detection Sensors (Does not include junction box.

See section 1.1.7 for junction box adder instructions.)

1.1.1 Combustible Gas Detection Sensor Assemblies

Part Number	Model Number - Description
967-525520-100	FP-700 Catalytic Combustible Gas Sensor Assembly
967-215520-100	IR-700-CH Infrared Combustible Hydrocarbon Sensor Assembly

1.1.2 Hydrogen Sulfide Gas Detection Sensor Assemblies

Part Number	Model Number - Description
967-015520-100	TP-700 Solid State MOS H ₂ S Sensor Assembly
967-242490-100	DM-700-H ₂ S Electro Chemical H ₂ S Sensor Assembly

1.1.3 Oxygen Gas Detection Sensor Assemblies

Part Number	Model Number - Description
967-345520-025	DM-700-O ₂ Oxygen Deficiency Sensor Assembly

1.1.4 VOC Gas Detection Sensor Assemblies

Part Number	Model Number - Description
967-P15520-010	PI-700-VOC Volatile Organic Compound Sensor Assembly
967-P25520-01K	PI-701-VOC Volatile Organic Compound Sensor Assembly

1.1.5 Carbon Dioxide Gas Detection Sensor Assemblies

Part Number	Model Number - Description
967-405520-005	IR-700-CO ₂ Infrared Sensor Assembly - Low Range (0-5%)
967-425520-025	IR-700-CO ₂ Infrared Sensor Assembly - High Range (10-100%)

1.1.6 Electrochemical Toxic Gas Detection Sensor Assemblies

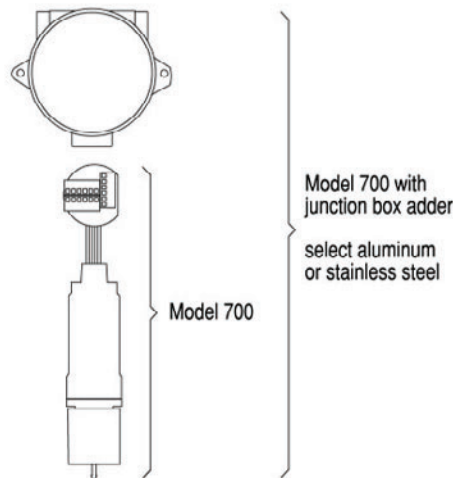
Standard Range is indicated by the last 3 digits of the part number. Contact the Detcon factory for other ranges.

Part Number	Model Number - Description
967-12EA90-100	DM-700-C ₂ H ₃ O Acetyldehyde Sensor Assembly
967-12EG90-100	DM-700-C ₂ H ₂ Acetylene Sensor Assembly
967-12EM90-100	DM-700-C ₃ H ₃ N Acrylonitrile Sensor Assembly
967-505090-100	DM-702-NH ₃ Ammonia Sensor Assembly
967-191990-001	DM-700-AsH ₃ Arsine Sensor Assembly
967-747590-005	DM-700-Br ₂ Bromine Sensor Assembly
967-12EB90-100	DM-700-C ₄ H ₆ Butadiene Sensor Assembly
967-444490-100	DM-700-CO Carbon Monoxide Sensor Assembly
967-747490-010	DM-700-Cl ₂ Chlorine Sensor Assembly
967-777790-001	DM-701-ClO ₂ Chlorine Dioxide Sensor Assembly (0-1ppm)
967-747690-050	DM-700-ClO ₂ Chlorine Dioxide Sensor Assembly (0-50ppm)
967-192190-005	DM-700-B ₂ H ₆ Diborane Sensor Assembly
967-12EO90-100	DM-700-C ₂ H ₅ OH Ethanol Sensor Assembly
967-24EZ90-100	DM-700-C ₂ H ₅ SH Ethyl Mercaptans Sensor Assembly
967-12ED90-100	DM-700-C ₂ H ₄ Ethylene Sensor Assembly
967-12EJ90-100	DM-700-C ₂ H ₄ O Ethylene Oxide Sensor Assembly
967-272790-001	DM-700-F ₂ Fluorine Sensor Assembly
967-12EP90-100	DM-700-CH ₂ O Formaldehyde Sensor Assembly

967-232590-002	DM-700-GeH4 Germane Sensor Assembly
967-262690-001	DM-700-N2H4 Hydrazine Sensor Assembly
967-848490-100	DM-700-H2 Hydrogen Sensor Assembly (ppm Range)
967-050590-04P	DM-701-H2 Hydrogen Sensor Assembly (4% Range)
967-070790-01P	DM-702-H2 Hydrogen Sensor Assembly (1% Range)
967-090890-030	DM-700-HBr Hydrogen Bromide Sensor Assembly
967-090990-030	DM-700-HCL Hydrogen Chloride Sensor Assembly
967-131390-030	DM-700-HCN Hydrogen Cyanide Sensor Assembly
967-333390-010	DM-700-HF Hydrogen Fluoride Sensor Assembly
967-242490-100	DM-700-H2S Hydrogen Sulfide Sensor Assembly
967-12EE90-100	DM-700-CH3OH Methanol Sensor Assembly
967-24EK90-100	DM-700-CH3SH Methyl Mercaptans Sensor Assembly
967-949490-100	DM-700-NO Nitric Oxide Sensor Assembly
967-646490-010	DM-700-NO2 Nitrogen Dioxide Sensor Assembly
967-393990-001	DM-700-O3 Ozone Sensor Assembly
967-414190-001	DM-700-COCL2 Phosgene Sensor Assembly
967-192090-005	DM-700-PH3 Phosphine Sensor Assembly
967-232390-050	DM-700-SiH4 Silane Sensor Assembly
967-555590-020	DM-700-SO2 Sulfur Dioxide Sensor Assembly
967-12EF90-100	DM-700-C4H6O2 Vinyl Acetate Sensor Assembly
967-12EL90-100	DM-700-C2H3CL Vinyl Chloride Sensor Assembly

1.1.7 Model Series 700 Junction Box Adder

To order a model 700 gas detection sensor with a junction box, modify the part number of the sensor (s) you want according to the instructions below.



Catalytic Combustible, Solid State H2S, Oxygen, VOC, & CO2

With aluminum junction box, indicate a "1" in position 6 of the PN (xxx-xx1xxx-xxx)

With stainless steel junction box, indicate a "4" in position 6 of the PN (xxx-xx4xxx-xxx)

Electrochemical: NOTE: Detcon recommends selection of the 316SS J-box for strong acid gas compounds (HCl, Cl2, Br2, F2, HBr, HF)

With aluminum junction box, indicate a "1" in position 9 of the PN (xxx-xxxx1-xxx)

With stainless steel junction box, indicate a "4" in position 9 of the PN (xxx-xxxx4-xxx)

1.1.8 Model Series 700 Integration Modules

Part Number	Model Number - Description
975-70000A-00A	Remote Control / Alarm Relay Module in Aluminum Enclosure Class 1; Div 1; Groups B, C, D – Zone I Group IIB+H2
975-70000A-00S	Remote Control / Alarm Relay Module in 316SS Enclosure Class 1; Div 1; Groups B, C, D – Zone I Group IIB+H2
975-70000H-00A	Remote Control / Alarm Relay Module with Hart in Aluminum Enclosure Class 1; Div 1; Groups B, C, D – Zone I Group IIB+H2
975-70000H-00S	Remote Control / Alarm Relay Module with Hart in 316SS Enclosure Class 1; Div 1; Groups B, C, D – Zone I Group IIB+H2
975-70000P-00A	Remote Control / Alarm Relay Module with Profibus in Aluminum Enclosure Class 1; Div 1; Groups B, C, D – Zone I Group IIB+H2
975-70000P-00S	Remote Control / Alarm Relay Module with Profibus in 316SS Enclosure Class 1; Div 1; Groups B, C, D – Zone I Group IIB+H2
975-70000F-00A	Remote Control / Alarm Relay Module with Foundation Fieldbus in Aluminum Enclosure Class 1; Div 1; Groups B, C, D – Zone I Group IIB+H2
975-70000F-00S	Remote Control / Alarm Relay Module with Foundation Fieldbus in 316SS Enclosure Class 1; Div 1; Groups B, C, D – Zone I Group IIB+H2
975-70005H-00A	Hart Integration Module in Aluminum Enclosure Class 1; Div 1; Groups B, C, D – Zone I Group IIB+H2
975-70005H-00S	Hart Integration Module in 316SS Enclosure Class 1; Div 1; Groups B, C, D – Zone I Group IIB+H2
975-70005P-00A	Profibus Integration Module in Aluminum Enclosure Class 1; Div 1; Groups B, C, D – Zone I Group IIB+H2
975-70005P-00S	Profibus Integration Module in 316SS Enclosure Class 1; Div 1; Groups B, C, D – Zone I Group IIB+H2
975-70005F-00A	Foundation Fieldbus Integration Module in Aluminum Enclosure Class 1; Div 1; Groups B, C, D – Zone I Group IIB+H2
975-70005F-00S	Foundation Fieldbus Module in 316SS Enclosure Class 1; Div 1; Groups B, C, D – Zone I Group IIB+H2
976-000321-000	Wireless Integration RXT 320 in Aluminum Enclosure Class 1; Div 1; Groups B, C, D – Zone I Group IIB+H2
976-000322-000	Wireless Integration RXT 320 in 316SS Enclosure Class 1; Div 1; Groups B, C, D – Zone I Group IIB+H2

1.1.9 Model Series 700 Spare Parts - Universal

Part Number	Model Number - Description
613-120000-700	Sensor splash guard with integral cal-port
327-000000-000	Magnetic programming tool
975-000020-893	Sensor duct mount kit – 700 Series
960-202200-000	Condensation prevention packet (for J-Box replace annually)
500-003087-100	Transient Protection Module
437-500000-000	Stainless steel tag
943-004223-000	2" pipe mount with sun shade
943-004221-000	Sensor Mounting Plate for 2" pipe
897-850000-010	Standard aluminum junction box with solid lid
897-850901-010	Standard aluminum junction box with lens cover
897-850000-316	Stainless steel junction box with solid cover
897-850901-316	Stainless steel junction box with lens cover
943-002273-000	Harsh location dust guard (fits 1.5 x 18 thread)
033-003238-000	Harsh location dust guard replacement filter

943-003436-000	Harsh location water guard
943-000000-000	Calibration Sleeve/Wind Guard for use with splash guard
943-001747-SS5	Stainless steel flow through adapter

1.1.10 Spare Parts - FP-700 Catalytic Combustible Gas Sensor Assembly

Part Number	Model Number - Description
927-525500-100	FP-700 Catalytic Combustible Gas (ITM)
602-003152-000	Bottom housing assembly for FP/TP/IR - includes flame arrestor
370-201600-700	Combustible Gas plug-in sensor for FP-700

1.1.11 Spare Parts - IR-700-CH Infrared Combustible Hydrocarbon Sensor Assembly

Part Number	Model Number - Description
927-215500-100	IR-700-CH Infrared Combustible Hydrocarbon (ITM)
602-003152-000	Bottom housing assembly for FP/TP/IR - includes flame arrestor
370-3658CH-700	Combustible Hydrocarbon plug-in sensor for IR-700-CH

1.1.12 Spare Parts - TP-700 Solid State MOS H2S Sensor Assembly

Part Number	Model Number - Description
927-015500-100	TP-700 Solid State MOS H2S (ITM)
602-003152-000	Bottom housing assembly for FP/TP/IR - includes flame arrestor
370-010000-700	Solid State MOS H2S plug-in sensor for TP-700

1.1.13 Spare Parts - DM-700-H2S Electro Chemical H2S Sensor Assembly

Part Number	Model Number - Description
927-245500-000	DM-700-EC Electro Chemical Universal ITM
600-003215-000	Splash guard adapter for DM/O2/PI
377-242400-100	Hydrogen Sulfide plug-in sensor for DM-700-H2S

1.1.14 Spare Parts - DM-700-O2 Oxygen Deficiency Sensor Assembly

Part Number	Model Number - Description
927-345500-025	DM-700-O2 Oxygen Deficiency (ITM)
600-003215-000	Splash guard adapter for DM/O2/PI
377-343400-025	Oxygen plug-in sensor for DM-700-O2

1.1.15 Spare Parts - PI-700-VOC Volatile Organic Compound Sensor Assembly

Part Number	Model Number - Description
927-P25500-000	PI-700 Volatile Organic Compound (ITM) Universal
600-003215-000	Splash guard adapter for DM/O2/PI
377-P10000-010	Photo Ionization plug-in sensor for PI-700-10 (0-10ppm)
377-P20000-01K	Photo Ionization plug-in sensor for PI-701-1K (0-1000ppm)
602-003295-FLT	PI-700 Splash guard adapter assembly with filter

1.1.16 Spare Parts - IR-700-CO2 Infrared Sensor Assembly

Part Number	Model Number - Description
927-405500-000	IR-700-CO2 Infrared Carbon Dioxide (ITM) Low Range (0-5%)
927-425500-000	IR-700-CO2 Infrared Carbon Dioxide (ITM) High Range (10-100%)
602-003152-000	Bottom housing assembly for FP/TP/IR - includes flame arrestor
370-365878-700	Carbon Dioxide plug-in sensor for IR-700-CO2 (0-5%)
370-287724-700	Carbon Dioxide plug-in sensor for IR-700-CO2 (10-100%)

1.1.17 Spare Parts - DM-700 Electrochemical Toxic Gas Sensor Assemblies

Part Number	Model Number - Description
927-245500-000	DM-700-EC Electro Chemical Universal ITM
600-003215-000	Splash guard adapter for DM/O2/PI
377-12EA01-100	Acetyldehyde plug-in sensor for DM-700-C2H3O
377-12EG01 -100	Acetylene plug-in sensor for DM-700-C2H2
377-12EM01-100	Acrylonitrile plug-in sensor for DM-700-C3H3N
377-505001-100	Ammonia plug-in sensor for DM-702-NH3
377-191901-001	Arsine plug-in sensor for DM-700-AsH3
377-747501-005	Bromine plug-in sensor for DM-700-Br2
377-12EB01-100	Butadiene plug-in sensor for DM-700-C4H6
377-444401-100	Carbon Monoxide plug-in sensor for DM-700-CO
377-747401-010	Chlorine plug-in sensor for DM-700-CL2
377-777701-001	Chlorine Dioxide plug-in sensor for DM-700-CLO2 (0-1ppm)
377-747601-050	Chlorine Dioxide plug-in sensor for DM-700-CLO2 (0-50ppm)
377-192101-005	Diborane plug-in sensor for DM-700-B2H6
377-12EO01-100	Ethanol plug-in sensor for DM-700-C2H5OH
377-24EZ01-100	Ethyl Mercaptan plug-in sensor for DM-700-C2H5SH
377-12ED01-100	Ethylene plug-in sensor for DM-700-C2H4
377-12EJ01-100	Ethylene Oxide plug-in sensor for DM-700-C2H4O
377-272701-001	Fluorine plug-in sensor for DM-700-F2
377-12EP01-100	Formaldehyde plug-in sensor for DM-700-CH2O
377-232501-002	Germane plug-in sensor for DM-700-GeH4
377-262601-001	Hydrazine plug-in sensor for DM-700-N2H4
377-848401-100	Hydrogen plug-in sensor for DM-700-H2 (ppm range)
377-050501-04P	Hydrogen plug-in sensor for DM-700-H2 (1% & 4% range)
377-090801-030	Hydrogen Bromide plug-in sensor for DM-700-HBr
377-090901-030	Hydrogen Chloride plug-in sensor for DM-700-HCL
377-131301-030	Hydrogen Cyanide plug-in sensor for DM-700-HCN
377-333301-010	Hydrogen Fluoride plug-in sensor for DM-700-HF
377-242401-100	Hydrogen Sulfide plug-in sensor for DM-700-H2S
377-12EE01-100	Methanol plug-in sensor for DM-700-CH3OH
377-12EK01-100	Methyl Mercaptan plug-in sensor for DM-700-CH3SH
377-949401-100	Nitric Oxide plug-in sensor for DM-700-NO
377-646401-010	Nitrogen Dioxide plug-in sensor for DM-700-NO2
377-393901-001	Ozone plug-in sensor for DM-700-O3
377-414101-001	Phosgene plug-in sensor for DM-700-COCL2
377-192001-005	Phosphine plug-in sensor for DM-700-PH3
377-232301-050	Silane plug-in sensor for DM-700-SiH4
377-555501-020	Sulfur Dioxide plug-in sensor for DM-700-SO2
377-12EF01-100	Vinyl Acetate plug-in sensor for DM-700-C4H6O2
377-12EL01-100	Vinyl Chloride plug-in sensor for DM-700-C2H3CL

Section 1.2 Model Series 600 MicroSafe Gas Detection Sensors

1.2.1 Combustible Gas Detection Sensor Assemblies

Part Number	Model Number - Description
966-524520-100	FP-624C Catalytic Combustible Gas Sensor Assembly
966-224520-100	IR-622 Infrared Combustible Hydrocarbon Sensor Assembly

Standard range for IR combustible hydrocarbon is 100% LEL. Contact the Detcon factory for other ranges.

1.2.2 Hydrogen Sulfide Gas Detection Sensor Assemblies

Part Number	Model Number - Description
966-014520-100	TP-624D Solid State MOS H ₂ S Sensor Assembly
966-01452B-100	TP-624D-316SS Solid State MOS H ₂ S Sensor Assembly
966-242480-100	DM-600IS-H ₂ S Sensor Assembly

1.2.3 Oxygen Gas Detection Sensor Assemblies

Part Number	Model Number - Description
966-344520-025	DM-634 Oxygen Gas Sensor Assembly

1.2.4 VOC Gas Detection Sensor Assemblies

Part Number	Model Number - Description
966-P14520-010	PI-600-VOC Sensor Assembly 0-10 PPM
966-P24520-01K	PI-601-VOC Sensor Assembly 0-1000 PPM

1.2.5 Carbon Dioxide Gas Detection Sensor Assemblies

Part Number	Model Number - Description
966-404520-005	IR-640 Infrared Carbon Dioxide Sensor Assembly (range 0-5%)
966-424520-100	IR-642 Infrared Carbon Dioxide Sensor Assembly (range 10-100%)

Contact the Detcon factory for other ranges.

1.2.6 Electrochemical Toxic Gas Detection Sensor Assemblies

Standard Range is indicated by the last 3 digits of the part number. Contact the Detcon factory for other ranges.

Note: Detcon recommends selection of the 316SS J-box for strong acid gas compounds (HCl, Cl₂, Br₂, F₂, HBr, HF)

Part Number	Model Number - Description
966-12EA80-100	DM-600IS-C ₂ H ₃ O Acetyldehyde Sensor Assembly
966-12EG80-100	DM-600IS-C ₂ H ₂ Acetylene Sensor Assembly
966-12EM80-100	DM-600IS-C ₃ H ₃ N Acrylonitrile Sensor Assembly
966-505080-100	DM-602IS-NH ₃ Ammonia Sensor Assembly
966-191980-001	DM-600IS-Ash ₃ Arsine Sensor Assembly
966-747580-005	DM-600IS-Br ₂ Bromine Sensor Assembly
966-12EB80-100	DM-600IS-C ₄ H ₆ Butadiene Sensor Assembly
966-444480-100	DM-600IS-CO Carbon Monoxide Sensor Assembly
966-747480-010	DM-600IS-Cl ₂ Chlorine Sensor Assembly
966-777780-001	DM-601IS-CLO ₂ Chlorine Dioxide Sensor Assembly (0-1ppm)
966-747680-050	DM-600IS-CLO ₂ Chlorine Dioxide Sensor Assembly (0-50ppm)
966-192180-005	DM-600IS-B ₂ H ₆ Diborane Sensor Assembly
966-12EO80-100	DM-600IS-C ₂ H ₅ OH Ethanol Sensor Assembly
966-24EZ80-100	DM-600IS-C ₂ H ₅ SH Ethyl Mercaptans Sensor Assembly
966-12ED80-100	DM-600IS-C ₂ H ₄ Ethylene Sensor Assembly
966-12EJ80-100	DM-600IS-C ₂ H ₄ O Ethylene Oxide Sensor Assembly
966-272780-001	DM-600IS-F ₂ Fluorine Sensor Assembly
966-12EP80-100	DM-600IS-CH ₂ O Formaldehyde Sensor Assembly
966-232580-002	DM-600IS-GeH ₄ Germane Sensor Assembly

966-262680-001	DM-600IS-N2H4 Hydrazine Sensor Assembly
966-848480-100	DM-600IS-H2 Hydrogen Sensor Assembly (ppm Range)
966-050580-04P	DM-601IS-H2 Hydrogen Sensor Assembly (% Range)
966-070780-01P	DM-602IS-H2 Hydrogen Sensor Assembly (1% Range)
966-090880-030	DM-600IS-HBr Hydrogen Bromide Sensor Assembly
966-090980-030	DM-600IS-HCL Hydrogen Chloride Sensor Assembly
966-131380-030	DM-600IS-HCN Hydrogen Cyanide Sensor Assembly
966-333380-010	DM-600IS-HF Hydrogen Fluoride Sensor Assembly
966-242480-100	DM-600IS-H2S Hydrogen Sulfide Sensor Assembly
966-12EE80-100	DM-600IS-CH3OH Methanol Sensor Assembly
966-24EK80-100	DM-600IS-CH3SH Methyl Mercaptans Sensor Assembly
966-949480-100	DM-600IS-NO Nitric Oxide Sensor Assembly
966-646480-010	DM-600IS-NO2 Nitrogen Dioxide Sensor Assembly
966-393980-001	DM-600IS-O3 Ozone Sensor Assembly
966-414180-001	DM-600IS-COCL2 Phosgene Sensor Assembly
966-192080-005	DM-600IS-PH3 Phosphine Sensor Assembly
966-232380-050	DM-600IS-SiH4 Silane Sensor Assembly
966-555580-020	DM-600IS-SO2 Sulfur Dioxide Sensor Assembly
966-12EF80-100	DM-600IS-C4H6O2 Vinyl Acetate Sensor Assembly
966-12EL80-100	DM-600IS-C2H3CL Vinyl Chloride Sensor Assembly

1.2.7 Model Series 600 Spare Parts - Universal

Part Number	Model Number - Description
327-000000-000	Magnetic programming tool
960-202200-000	Condensation prevention packet (for J-Box replace annually)
437-500000-000	Stainless steel tag
943-004223-000	2" pipe mount with sun shade
943-004221-000	Sensor Mounting Plate for 2" pipe
975-225007-006	Remote sensor Jbox, aluminum, 6 wire terminal strip
975-316007-006	Remote sensor Jbox, 316 stainless steel, 6 wire terminal strip
897-850000-010	Standard aluminum junction box with solid lid
897-850901-010	Standard aluminum junction box with lens cover
897-850000-316	Standard 316SS junction box with solid lid
897-850901-316	Standard 316SS junction box with lens cover
943-003436-000	Harsh location water guard
943-000000-000	Calibration Sleeve/Wind Guard for use with splash guard

1.2.8 Spare Parts - FP-624C Catalytic Combustible Gas Sensor Assembly

Part Number	Model Number - Description
370-201600-000	Combustible gas field replaceable plug-in sensor
926-525500-100	Plug-in transmitter module (Model FP-624C)
500-001794-004	Standard connector board Model series 600 sensors
612-820000-000	Stainless steel LEL sensor housing with threaded insert
399-602016-000	Stainless steel LEL sensor housings including plug-in sensor
613-120000-700	Sensor splash guard with integral cal-port - FP/DM/IR
943-000006-132	Calibration adapter FP/IR/DM/O2
975-RSFP00-624	FP-624 remote sensor separation kit
975-000020-890	Sensor Duct Mount Kit LEL
612-400000-000	Sensor/Sintered Filter replacement wrench FP/DM/IR
943-002273-000	Harsh location dust guard (fits 1.5 x 18 thread)
033-003238-000	Harsh location dust guard replacement filter

1.2.9 Spare Parts - IR-622-CH Infrared Combustible Hydrocarbon Sensor Assembly

Part Number	Model Number - Description
370-365871-212	Combustible Hydrocarbon plug-in optical sensor for CH's
926-225500-100	Plug-in transmitter control module (Model IR-622)
500-002042-000	Standard connector board Model series 600 IR sensors
390-000087-000	Stainless steel sensor housing assembly CH's
613-120000-700	Sensor splash guard with integral cal-port - FP/DM/IR
943-000006-132	Calibration adapter FP/IR/DM/O2
975-RSIR00-622	IR-622 remote sensor separation kit
975-000208-9IR	Sensor Duct Mount Kit IR
612-400000-000	Sensor/Sintered Filter replacement wrench FP/DM/IR
943-002273-000	Harsh location dust guard (fits 1.5 x 18 thread)
033-003238-000	Harsh location dust guard replacement filter

1.2.10 Spare Parts - TP-624D Solid State MOS H2S Sensor Assembly

Part Number	Model Number - Description
399-800000-000	Solid State MOS H2S Sensor in Stainless Steel Housing
926-0155D0-100	Plug-in transmitter control module (Model TP-624D)
500-001794-004	Standard connector board Model series 600 sensors
600-610000-000	Sensor splash guard w/integral cal port TP-424/TP-524/TP-624
943-000006-038	Calibration adapter TP
326-000000-000	Replaceable sintered stainless steel flame arrestor
975-RSTP00-624	TP-624 remote sensor separation kit
975-000020-891	Sensor Duct Mount Kit TP
943-002274-000	Harsh location dust guard (fits 7/8 x 14 thread)
033-003236-000	Harsh location dust guard replacement filter

1.2.11 Spare Parts - DM-600-H2S Electro Chemical H2S Sensor Assembly

Part Number	Model Number - Description
394-242400-xxx*	Intrinsically Safe sensor housing w/preamp circuit *Specify range
926-995580-000	Universal plug-in transmitter control module (DM-600IS)
500-001794-004	Standard connector board Model series 600 sensors
613-002646-000	Sensor splash guard with twist lock adapter
975-RSDM00-600	DM-600 remote sensor separation kit
975-000020-892	Sensor Duct Mount Kit – DM Series
370-242400-000	Hydrogen Sulfide plug-in detector assembly
943-002273-000	Harsh location dust guard (fits 1.5 x 18 thread)
033-003238-000	Harsh location dust guard replacement filter

1.2.12 Spare Parts - DM-600-O2 Oxygen Deficiency Sensor Assembly

Part Number	Model Number - Description
370-399100-000	Oxygen field replaceable plug-in sensor 400/500/600 series
926-345500-025	Plug-in transmitter control module (Model DM-634)
500-001794-004	Standard connector board Model series 600 sensors
399-200000-000	Stainless steel sensor housing with insert and flame arrestor
613-120000-700	Sensor splash guard with integral cal-port - FP/DM/IR
943-000006-132	Calibration adapter FP/IR/DM/O2
330-X50000-000	Field Replaceable sintered stainless steel flame arrestor
975-RSDM00-634	DM-634 remote sensor separation kit
975-000020-892	Sensor Duct Mount Kit – DM Series
612-400000-000	Sensor/Sintered Filter replacement wrench FP/DM/IR
943-002273-000	Harsh location dust guard (fits 1.5 x 18 thread)
033-003238-000	Harsh location dust guard replacement filter

1.2.13 Spare Parts - PI-600-VOC Volatile Organic Compound Sensor Assembly

Part Number	Model Number - Description
370-P10000-000	Photo Ionization field replaceable plug-in detector 0-10 PPM
370-P20000-000	Photo Ionization field replaceable plug-in detector 0-1000 PPM
926-P16480-010	Plug-in transmitter control module (Model PI-600/PI-601)
500-001794-004	Standard connector board Model series 600 sensors
390-404142-010	PID sensor housing assembly 10 ppm
390-404142-01K	PID sensor housing assembly 1000 ppm
613-120000-700	Sensor splash guard with integral cal-port - FP/DM/IR
943-000006-132	Calibration adapter FP/IR/DM/O2
330-X50000-000	Field replaceable sintered stainless steel flame arrestor
975-600020-000	PID 10.6eV replacement lamp
975-600100-000	PID detector replacement cell
975-520040-000	PID lamp cleaning kit
975-RSPI00-600	PI-600 remote sensor separation kit
975-000208-9IR	Sensor Duct Mount Kit IR
943-002273-000	Harsh location dust guard (fits 1.5 x 18 thread)
033-003238-000	Harsh location dust guard replacement filter

1.2.14 Spare Parts - IR-640-CO2 Infrared Sensor Assembly

Part Number	Model Number - Description
370-365878-111	Carbon Dioxide plug-in optical sensor (up to 5% range)
370-287724-232	Carbon Dioxide plug-in optical sensor (10 to 100% range)
926-405500-003	Plug-in transmitter control module (Model IR-640)
500-002042-000	Standard connector board Model series 600 IR sensors
390-000088-000	Stainless steel sensor housing assembly CO2
613-120000-700	Sensor splash guard with integral cal-port - FP/DM/IR
943-000006-132	Calibration adapter FP/IR/DM/O2
330-X50000-000	Field replaceable sintered stainless steel flame arrestor
975-RSIR00-640	IR-640 remote sensor separation kit
975-000208-9IR	Sensor Duct Mount Kit IR
612-400000-000	Sensor/Sintered Filter replacement wrench FP/DM/IR
943-002273-000	Harsh location dust guard (fits 1.5 x 18 thread)
033-003238-000	Harsh location dust guard replacement filter

1.2.15 Spare Parts - DM-600 Electrochemical Toxic Gas Sensor Assemblies

Part Number	Model Number - Description
926-995580-000	Universal plug-in transmitter control module (DM-600IS)
500-001794-004	Standard connector board Model series 600 sensors
394-xxxx00-xxx*	Intrinsically Safe sensor housing with pre-preamp circuit *Specify gas type and range
613-002646-000	Sensor splash guard with twist lock adapter
975-RSDM00-600	DM-600 remote sensor separation kit
975-000020-892	Sensor Duct Mount Kit – DM Series
943-002273-000	Harsh location dust guard (fits 1.5 x 18 thread)
033-003238-000	Harsh location dust guard replacement filter

* To specify gas type (digits 4 through 7 of the part number) refer to section 1.2.16, select the gas type then use digits 4 through 7 of the replacement sensor part number. To specify range of detection, reference the table below. For example, 100 ppm H₂S would be 394-242400-100

*RANGE TABLE

If greater than 999ppm, use a "K" (for 1000)

If greater than 9,900ppm use a "P" (for %)

Build range number from the right and use zeros to the left for blanks.

- 001 – 1 ppm
- 005 – 5 ppm
- 010 – 10 ppm
- 020 – 20 ppm
- 025 – 25 ppm
- 050 – 50 ppm
- 100 – 100 ppm
- 500 – 500 ppm
- 01K – 1000 ppm
- 05K – 5000 ppm
- 01P – 1 %
- 04P – 4 %
- 25P – 25 %

1.2.16 Spare Parts - DM-600 Replacement Electrochemical Sensor Cells DM-500, and DM-600 Series sensors

Part Number	Model Number - Description
370-12EA00-000	Acetyldehyde plug-in detector assembly
370-12EG00-000	Acetylene plug-in detector assembly
370-12EM00-000	Acrylonitrile plug-in detector assembly
370-505000-000	Ammonia plug-in detector assembly
370-191900-000	Arsine plug-in detector assembly
370-747500-000	Bromine plug-in detector assembly
370-12EB00-000	Butadiene plug-in detector assembly
370-444400-000	Carbon Monoxide plug-in detector assembly
370-747400-000	Chlorine plug-in detector assembly
370-777700-000	Chlorine Dioxide plug-in detector assembly (0-1 PPM)
370-747600-000	Chlorine Dioxide plug-in detector assembly (0-50 PPM)
370-192100-000	Diborane plug-in detector assembly
370-12EO00-000	Ethanol plug-in detector assembly
370-24EZ00-000	Ethyl Mercaptan plug-in detector assembly
370-12ED00-000	Ethylene plug-in detector assembly
370-12EJ00-000	Ethylene Oxide plug-in detector assembly
370-272700-000	Fluorine plug-in detector assembly
370-12EP00-000	Formaldehyde plug-in detector assembly
370-232500-000	Germane plug-in detector assembly
370-262600-000	Hydrazine plug-in detector assembly
370-848400-000	Hydrogen PPM Range plug-in detector assembly
370-050500-000	Hydrogen LEL Range (1% and 4%) plug-in detector assy.
370-090800-000	Hydrogen Bromide plug-in detector assembly
370-090900-000	Hydrogen Chloride plug-in detector assembly
370-131300-000	Hydrogen Cyanide plug-in detector assembly
370-333300-000	Hydrogen Fluoride plug-in detector assembly
370-242400-000	Hydrogen Sulfide plug-in detector assembly
370-12EE00-000	Methanol plug-in detector assembly
370-12EK00-000	Methyl Mercaptan plug-in detector assembly
370-949400-000	Nitric Oxide plug-in detector assembly
370-646400-000	Nitrogen Dioxide plug-in detector assembly
370-393900-000	Ozone plug-in detector assembly
370-414100-000	Phosgene plug-in detector assembly
370-192000-000	Phosphine plug-in detector assembly
370-232300-000	Silane plug-in detector assembly
370-555500-000	Sulfur Dioxide plug-in detector assembly
370-12EF00-000	Vinyl Acetate plug-in detector assembly
370-12EL00-000	Vinyl Chloride plug-in detector assembly

Section 1.3 Model Series 500 MicroSafe Gas Detection Sensors

1.3.1 Combustible Gas Detection Sensor Assemblies

Part Number	Model Number - Description
965-525420-100	FP-524C Catalytic Combustible Gas Sensor Assembly
965-225420-100	IR-522 Infrared Combustible Hydrocarbon Sensor Assembly

Standard range for IR combustible hydrocarbon is 100% LEL. Contact the Detcon factory for other ranges.

1.3.2 Hydrogen Sulfide Gas Detection Sensor Assemblies

Part Number	Model Number - Description
965-015420-100	TP-524D Solid State MOS H ₂ S Sensor Assembly
965-01542B-100	TP-524D-316SS Solid State MOS H ₂ S Sensor Assembly
965-242480-100	DM-500IS-H ₂ S Sensor Assembly

1.3.3 Oxygen Gas Detection Sensor Assemblies

Part Number	Model Number - Description
965-345420-025	DM-534 Oxygen Gas Sensor Assembly

1.3.4 VOC Gas Detection Sensor Assemblies

Part Number	Model Number - Description
965-P15420-010	PI-500-VOC Sensor Assembly 0-10 PPM
965-P25420-01K	PI-501-VOC Sensor Assembly 0-1000 PPM

1.3.5 Carbon Dioxide Gas Detection Sensor Assemblies

Part Number	Model Number - Description
965-405420-005	IR-540 Infrared Carbon Dioxide Sensor Assembly (range 0-5%)
965-425420-100	IR-542 Infrared Carbon Dioxide Sensor Assembly (range 10-100%)

Contact the Detcon factory for other ranges.

1.3.6 Electrochemical Toxic Gas Detection Sensor Assemblies

Standard Range is indicated by the last 3 digits of the part number. Contact the Detcon factory for other ranges.

Note: Detcon recommends selection of the 316SS J-box for strong acid gas compounds (HCl, Cl₂, Br₂, F₂, HBr, HF)

Part Number	Model Number - Description
965-12EA80-100	DM-500IS-C ₂ H ₃ O Acetyldehyde Sensor Assembly
965-12EG80-100	DM-500IS-C ₂ H ₂ Acetylene Sensor Assembly
965-12EM80-100	DM-500IS-C ₃ H ₃ N Acrylonitrile Sensor Assembly
965-505080-100	DM-502IS-NH ₃ Ammonia Sensor Assembly
965-191980-001	DM-500IS-AsH ₃ Arsine Sensor Assembly
965-747580-005	DM-500IS-Br ₂ Bromine Sensor Assembly
965-12EB80-100	DM-500IS-C ₄ H ₆ Butadiene Sensor Assembly
965-444480-100	DM-500IS-CO Carbon Monoxide Sensor Assembly
965-747480-010	DM-500IS-Cl ₂ Chlorine Sensor Assembly
965-777780-001	DM-501IS-ClO ₂ Chlorine Dioxide Sensor Assembly (0-1ppm)
965-747680-050	DM-500IS-ClO ₂ Chlorine Dioxide Sensor Assembly (0-50ppm)
965-192180-005	DM-500IS-B ₂ H ₆ Diborane Sensor Assembly
965-12EO80-100	DM-500IS-C ₂ H ₅ OH Ethanol Sensor Assembly
965-24EZ80-100	DM-500IS-C ₂ H ₅ SH Ethyl Mercaptans Sensor Assembly
965-12ED80-100	DM-500IS-C ₂ H ₄ Ethylene Sensor Assembly
965-12EJ80-100	DM-500IS-C ₂ H ₄ O Ethylene Oxide Sensor Assembly

965-272780-001	DM-500IS-F2 Fluorine Sensor Assembly
965-12EP80-100	DM-500IS-CH2O Formaldehyde Sensor Assembly
965-232580-002	DM-500IS-GeH4 Germane Sensor Assembly
965-262680-001	DM-500IS-N2H4 Hydrazine Sensor Assembly
965-848480-100	DM-500IS-H2 Hydrogen Sensor Assembly (ppm Range)
965-050580-04P	DM-501IS-H2 Hydrogen Sensor Assembly (% Range)
965-070780-01P	DM-502IS-H2 Hydrogen Sensor Assembly (1% Range)
965-090880-030	DM-500IS-HBr Hydrogen Bromide Sensor Assembly
965-090980-030	DM-500IS-HCL Hydrogen Chloride Sensor Assembly
965-131380-030	DM-500IS-HCN Hydrogen Cyanide Sensor Assembly
965-333380-010	DM-500IS-HF Hydrogen Fluoride Sensor Assembly
965-242480-100	DM-500IS-H2S Hydrogen Sulfide Sensor Assembly
965-12EE80-100	DM-500IS-CH3OH Methanol Sensor Assembly
965-24EK80-100	DM-500IS-CH3SH Methyl Mercaptans Sensor Assembly
965-949480-100	DM-500IS-NO Nitric Oxide Sensor Assembly
965-646480-010	DM-500IS-NO2 Nitrogen Dioxide Sensor Assembly
965-393980-001	DM-500IS-O3 Ozone Sensor Assembly
965-414180-001	DM-500IS-COCL2 Phosgene Sensor Assembly
965-192080-005	DM-500IS-PH3 Phosphine Sensor Assembly
965-232380-050	DM-500IS-SiH4 Silane Sensor Assembly
965-555580-020	DM-500IS-SO2 Sulfur Dioxide Sensor Assembly
965-12EF80-100	DM-500IS-C4H6O2 Vinyl Acetate Sensor Assembly
965-12EL80-100	DM-500IS-C2H3CL Vinyl Chloride Sensor Assembly

1.3.7 Model Series 500 Spare Parts - Universal

Part Number	Model Number - Description
327-000000-000	Magnetic programming tool
960-202200-000	Condensation prevention packet (for J-Box replace annually)
437-500000-000	Stainless steel tag
943-004223-000	2" pipe mount with sun shade
943-004221-000	Sensor Mounting Plate for 2" pipe
975-225007-006	Remote sensor Jbox, aluminum, 6 wire terminal strip
975-316007-006	Remote sensor Jbox, 316 stainless steel, 6 wire terminal strip
897-850000-010	Standard aluminum junction box with solid lid
897-850901-010	Standard aluminum junction box with lens cover
897-850000-316	Standard 316SS junction box with solid lid
897-850901-316	Standard 316SS junction box with lens cover
943-003436-000	Harsh location water guard
943-000000-000	Calibration Sleeve/Wind Guard for use with splash guard

1.3.8 Spare Parts - FP-524C Catalytic Combustible Gas Sensor Assembly

Part Number	Model Number - Description
370-201600-000	Combustible gas field replaceable plug-in sensor
399-602016-000	Stainless steel LEL sensor housings including plug-in sensor
925-525400-100	Plug-in transmitter module (Model FP-524C)
500-005065-007	Standard connector board Model series 400 & 500 sensors
612-820000-000	Stainless steel LEL sensor housing with threaded insert
613-120000-700	Sensor splash guard with integral cal-port - FP/DM/IR
943-000006-132	Calibration adapter FP/IR/DM/O2
975-RSFP00-524	FP-524 remote sensor separation kit
975-000020-890	Sensor Duct Mount Kit LEL

612-400000-000	Sensor/Sintered Filter replacement wrench FP/DM/IR
943-002273-000	Harsh location dust guard (fits 1.5 x 18 thread)
033-003238-000	Harsh location dust guard replacement filter

1.3.9 Spare Parts - IR-522-CH Infrared Combustible Hydrocarbon Sensor Assembly

Part Number	Model Number - Description
370-365871-212	Combustible Hydrocarbon plug-in optical sensor for CH's
925-225400-100	Plug-in transmitter control module (Model IR-522)
500-002226-001	Standard connector board Model series 500 IR sensors
390-000087-000	Stainless steel sensor housing assembly CH's
613-120000-700	Sensor splash guard with integral cal-port - FP/DM/IR
943-000006-132	Calibration adapter FP/IR/DM/O2
975-RSIR00-522	IR-522 remote sensor separation kit
975-000208-9IR	Sensor Duct Mount Kit IR
612-400000-000	Sensor/Sintered Filter replacement wrench FP/DM/IR
943-002273-000	Harsh location dust guard (fits 1.5 x 18 thread)
033-003238-000	Harsh location dust guard replacement filter

1.3.10 Spare Parts - TP-524D Solid State MOS H2S Sensor Assembly

Part Number	Model Number - Description
399-800000-000	Solid State MOS H2S Sensor in Stainless Steel Housing
925-0154D0-100	Plug-in transmitter control module (Model TP-524D)
500-005065-007	Standard connector board Model series 400 & 500 sensors
326-000000-000	Replaceable sintered stainless steel flame arrestor
600-610000-000	Sensor splash guard w/integral cal port TP-424/TP-524/TP-624
943-000006-038	Calibration adapter TP
975-RSTP00-524	TP-524 remote sensor separation kit
975-000020-891	Sensor Duct Mount Kit TP
943-002274-000	Harsh location dust guard (fits 7/8 x 14 thread)
033-003236-000	Harsh location dust guard replacement filter

1.3.11 Spare Parts - DM-500-H2S Electro Chemical H2S Sensor Assembly

Part Number	Model Number - Description
925-995480-000	Universal plug-in transmitter control module (DM-500IS)
500-005065-007	Standard connector board Model series 400 & 500 sensors
394-242400-xxx*	Intrinsically Safe sensor housing with pre-preamp circuit *Specify range
613-002646-000	Sensor splash guard with twist lock adapter
975-RSDM00-500	DM-500 remote sensor separation kit
975-000020-892	Sensor Duct Mount Kit – DM Series
370-242400-000	Hydrogen Sulfide plug-in detector assembly
943-002273-000	Harsh location dust guard (fits 1.5 x 18 thread)
033-003238-000	Harsh location dust guard replacement filter

1.3.12 Spare Parts - DM-500-O2 Oxygen Deficiency Sensor Assembly

Part Number	Model Number - Description
370-399100-000	Oxygen field replaceable plug-in sensor 400/500/600 series
925-345400-025	Plug-in transmitter control module (Model DM-534)
500-005065-007	Standard connector board Model series 400 & 500 sensors
399-200000-000	Stainless steel sensor housing with insert and flame arrestor
330-X50000-000	Field Replaceable sintered stainless steel flame arrestor
613-120000-700	Sensor splash guard with integral cal-port - FP/DM/IR
943-000006-132	Calibration adapter FP/IR/DM/O2
975-RSDM00-534	DM-534 remote sensor separation kit
975-000020-892	Sensor Duct Mount Kit – DM Series
612-400000-000	Sensor/Sintered Filter replacement wrench FP/DM/IR
943-002273-000	Harsh location dust guard (fits 1.5 x 18 thread)
033-003238-000	Harsh location dust guard replacement filter

1.3.13 Spare Parts - PI-500-VOC Volatile Organic Compound Sensor Assembly

Part Number	Model Number - Description
370-P10000-000	Photo Ionization field replaceable plug-in detector 0-10 PPM
370-P20000-000	Photo Ionization field replaceable plug-in detector 0-1000 PPM
925-P15480-010	Plug-in transmitter control module (Model PI-500/PI-501)
500-005065-007	Standard connector board Model series 400 & 500 sensors
390-404142-010	PID sensor housing assembly 10 ppm
390-404142-01K	PID sensor housing assembly 1000 ppm
613-120000-700	Sensor splash guard with integral cal-port - FP/DM/IR
943-000006-132	Calibration adapter FP/IR/DM/O2
330-X50000-000	Field replaceable sintered stainless steel flame arrestor
975-600020-000	PID 10.6eV replacement lamp
975-600100-000	PID detector replacement cell
975-520040-000	PID lamp cleaning kit
975-RSPI00-500	PI-500 remote sensor separation kit
975-000208-9IR	Sensor Duct Mount Kit IR
943-002273-000	Harsh location dust guard (fits 1.5 x 18 thread)
033-003238-000	Harsh location dust guard replacement filter

1.3.14 Spare Parts - IR-540-CO2 Infrared Sensor Assembly

Part Number	Model Number - Description
370-365878-111	Carbon Dioxide plug-in optical sensor (up to 5% range)
370-287724-232	Carbon Dioxide plug-in optical sensor (10 to 100% range)
925-405400-003	Plug-in transmitter control module (Model IR-540)
500-002226-001	Standard connector board Model series 500 IR sensors
390-000088-000	Stainless steel sensor housing assembly CO2
613-120000-700	Sensor splash guard with integral cal-port - FP/DM/IR
943-000006-132	Calibration adapter FP/IR/DM/O2
975-RSIR00-540	IR-540 remote sensor separation kit
975-000208-9IR	Sensor Duct Mount Kit IR
612-400000-000	Sensor/Sintered Filter replacement wrench FP/DM/IR
943-002273-000	Harsh location dust guard (fits 1.5 x 18 thread)
033-003238-000	Harsh location dust guard replacement filter

1.3.15 Spare Parts - DM-500 Electrochemical Toxic Gas Sensor Assemblies

Part Number	Model Number - Description
925-995480-000	Universal plug-in transmitter control module (DM-500IS)
500-005065-007	Standard connector board Model series 400 & 500 sensors
394-xxxx00-xxx*	Intrinsically Safe sensor housing with pre-preamp circuit *Specify gas type and range
613-002646-000	Sensor splash guard with twist lock adapter
975-RSDM00-500	DM-500 remote sensor separation kit
975-000020-892	Sensor Duct Mount Kit – DM Series
943-002273-000	Harsh location dust guard (fits 1.5 x 18 thread)

* To specify gas type (digits 4 through 7 of the part number) refer to section 1.3.16, select the gas type then use digits 4 through 7 of the replacement sensor part number. To specify range of detection, reference the table below. For example, 100 ppm H₂S would be 394-242400-100

***RANGE TABLE**

If greater than 999ppm, use a “K” (for 1000)

If greater than 9,900ppm use a “P” (for %)

Build range number from the right and use zeros to the left for blanks.

- 001 – 1 ppm
- 005 – 5 ppm
- 010 – 10 ppm
- 020 – 20 ppm
- 025 – 25 ppm
- 050 – 50 ppm
- 100 – 100 ppm
- 500 – 500 ppm
- 01K – 1000 ppm
- 05K – 5000 ppm
- 01P – 1 %
- 04P – 4 %
- 25P– 25 %

1.3.16 Spare Parts - DM-500 Replacement Electrochemical Sensor Cells

Part Number	Model Number - Description
-------------	----------------------------

Reference section 1.2.16 for Replacement Electrochemical Sensor Cells

Section 1.4 Model Series 400 Gas Detection Sensors

1.4.1 Combustible Gas Detection Sensor Assemblies

Part Number	Model Number - Description
964-525420-100	FP-424C Catalytic Combustible Gas Sensor Assembly

1.4.2 Hydrogen Sulfide Gas Detection Sensor Assemblies

Part Number	Model Number - Description
964-015420-100	TP-424C Solid State MOS H ₂ S Sensor Assembly

1.4.3 Model Series 400 Spare Parts - Universal

Part Number	Model Number - Description
960-202200-000	Condensation prevention packet (for J-Box replace annually)
437-500000-000	Stainless steel tag
943-004223-000	2" pipe mount with sun shade
943-004221-000	Sensor Mounting Plate for 2" pipe
975-225007-006	Remote sensor Jbox, aluminum, 6 wire terminal strip
975-316007-006	Remote sensor Jbox, 316 stainless steel, 6 wire terminal strip
897-850000-010	Standard aluminum junction box with solid lid
897-850901-010	Standard aluminum junction box with lens cover
897-850000-316	Standard 316SS junction box with solid lid
897-850901-316	Standard 316SS junction box with lens cover
943-003436-000	Harsh location water guard
943-000000-000	Calibration Sleeve/Wind Guard for use with splash guard

1.4.4 Spare Parts - FP-424C Catalytic Combustible Gas Sensor Assembly

Part Number	Model Number - Description
370-201600-000	Combustible gas field replaceable plug-in sensor
612-820000-000	Stainless steel LEL sensor housing with threaded insert
399-602016-000	Stainless steel LEL sensor housings including plug-in sensor
924-525400-100	Plug-in transmitter module (Model FP-424C)
500-005065-007	Standard connector board Model series 400 & 500 sensors
613-120000-700	Sensor splash guard with integral cal-port - FP/DM/IR
943-000006-132	Calibration adapter FP/IR/DM/O ₂
975-RSFP00-424	FP-424 remote sensor separation kit
975-000020-890	Sensor Duct Mount Kit LEL
612-400000-000	Sensor/Sintered Filter replacement wrench FP/DM/IR
943-002273-000	Harsh location dust guard (fits 1.5 x 18 thread)
033-003238-000	Harsh location dust guard replacement filter

1.4.5 Spare Parts - TP-424C Solid State MOS H₂S Sensor Assembly

Part Number	Model Number - Description
399-800000-000	Solid State MOS H ₂ S Sensor in Stainless Steel Housing
924-015400-100	Plug-in transmitter control module (Model TP-424)
500-005065-007	Standard connector board Model series 400 & 500 sensors
600-610000-000	Sensor splash guard w/integral cal port TP-424/TP-524/TP-624
943-000006-038	Calibration adapter TP
326-000000-000	Replaceable sintered stainless steel flame arrestor
975-RSTP00-424	TP-424 remote sensor separation kit
975-000020-891	Sensor Duct Mount Kit TP
943-002274-000	Harsh location dust guard (fits 7/8 x 14 thread)
033-003236-000	Harsh location dust guard replacement filter

Section 1.5 Model Series 100 Low Power Gas Detection Sensors

(Does not include junction box or loop-powered display. See section 1.5.2 for junction box & display adder instructions.)

1.5.1 Electrochemical Toxic Gas Detection Sensor Assemblies

Standard Range is indicated by the last 3 digits of the part number. Contact the Detcon factory for other ranges.

Part Number	Model Number - Description
961-EA0025-100	DM-100-C2H3O Acetyldehyde Sensor Assembly
961-EG0025-100	DM-100-C2H2 Acetylene Sensor Assembly
961-EM0025-100	DM-100-C3H3N Acrylonitrile Sensor Assembly
961-500025-100	DM-102-NH3 Ammonia Sensor Assembly
961-190025-001	DM-100-AsH3 Arsine Sensor Assembly
961-750025-005	DM-100-Br2 Bromine Sensor Assembly
961-EB0025-100	DM-100-C4H6 Butadiene Sensor Assembly
961-440025-100	DM-100-CO Carbon Monoxide Sensor Assembly
961-740025-010	DM-100-CL2 Chlorine Sensor Assembly
961-770025-001	DM-101-CLO2 Chlorine Dioxide Sensor Assembly (0-1ppm)
961-760025-050	DM-100-CLO2 Chlorine Dioxide Sensor Assembly (0-50ppm)
961-210025-005	DM-100-B2H6 Diborane Sensor Assembly
961-EO0025-100	DM-100-C2H5OH Ethanol Sensor Assembly
961-EZ0025-100	DM-100-C2H5SH Ethyl Mercaptans Sensor Assembly
961-ED0025-100	DM-100-C2H4 Ethylene Sensor Assembly
961-EJ0025-100	DM-100-C2H4O Ethylene Oxide Sensor Assembly
961-270025-001	DM-100-F2 Fluorine Sensor Assembly
961-EP0025-100	DM-100-CH2O Formaldehyde Sensor Assembly
961-250025-002	DM-100-GeH4 Germane Sensor Assembly
961-260025-001	DM-100-N2H4 Hydrazine Sensor Assembly
961-840025-100	DM-100-H2 Hydrogen Sensor Assembly (ppm Range)
961-050025-04P	DM-101-H2 Hydrogen Sensor Assembly (4% Range)
961-070025-01P	DM-102-H2 Hydrogen Sensor Assembly (1% Range)
961-080025-030	DM-100-HBr Hydrogen Bromide Sensor Assembly
961-090025-030	DM-100-HCL Hydrogen Chloride Sensor Assembly
961-130025-030	DM-100-HCN Hydrogen Cyanide Sensor Assembly
961-330025-010	DM-100-HF Hydrogen Fluoride Sensor Assembly
961-240025-100	DM-100-H2S Hydrogen Sulfide Sensor Assembly
961-EE0025-100	DM-100-CH3OH Methanol Sensor Assembly
961-EK0025-100	DM-100-CH3SH Methyl Mercaptans Sensor Assembly
961-940025-100	DM-100-NO Nitric Oxide Sensor Assembly
961-640025-010	DM-100-NO2 Nitrogen Dioxide Sensor Assembly
961-340025-25P	DM-100-O2 Oxygen Deficiency Sensor Assembly
961-390025-001	DM-100-O3 Ozone Sensor Assembly
961-410025-001	DM-100-COCL2 Phosgene Sensor Assembly
961-200025-005	DM-100-PH3 Phosphine Sensor Assembly
961-230025-050	DM-100-SiH4 Silane Sensor Assembly
961-550025-020	DM-100-SO2 Sulfur Dioxide Sensor Assembly
961-EF0025-100	DM-100-C4H6O2 Vinyl Acetate Sensor Assembly
961-EL0025-100	DM-100-C2H3CL Vinyl Chloride Sensor Assembly

1.5.2 Model Series 100 Junction Box & Loop-Powered Display Adder

Part Number	Model Number - Description
-------------	----------------------------

Electrochemical: NOTE: Detcon recommends selection of the 316SS J-box for strong acid gas compounds (HCl, Cl₂, Br₂, F₂, HBr, HF)

With aluminum junction box, indicate a "1" in position 9 of the PN (xxx-xxxxx1-xxx)

With 316 stainless steel junction box, indicate a "3" in position 9 of the PN (xxx-xxxxx3-xxx)

With aluminum junction box and loop-powered display, indicate a "2" in position 9 of the PN (xxx-xxxxx2-xxx)

With 316SS junction box and loop-powered display, indicate a "4" in position 9 of the PN (xxx-xxxxx4-xxx)

1.5.3 Model Series 100 Accessories

Part Number	Model Number - Description
-------------	----------------------------

Transient Protection Module

Alarm Relay Board

Current to RS-485 Converter

Loop Powered LED Display

1.5.4 Model Series 100 Spare Parts - Universal

Part Number	Model Number - Description
-------------	----------------------------

613-120000-700	Sensor splash guard with integral cal-port
327-000000-000	Magnetic programming tool
	Sensor duct mount kit – 100 Series
960-202200-000	Condensation prevention packet (for J-Box replace annually)
	Loop-powered display assembly
437-500000-000	Stainless steel tag
943-004223-000	2" pipe mount with sun shade
943-004221-000	Sensor Mounting Plate for 2" pipe
897-850000-010	Standard aluminum junction box with solid lid
897-850901-010	Standard aluminum junction box with lens cover
897-850000-316	Stainless steel junction box with solid cover
897-850901-316	Stainless steel junction box with lens cover
943-002273-000	Harsh location dust guard (fits 1.5 x 18 thread)
943-003436-000	Harsh location water guard
943-000000-000	Calibration Sleeve/Wind Guard for use with splash guard
943-002273-000	Harsh location dust guard (fits 1.5 x 18 thread)
033-003238-000	Harsh location dust guard replacement filter

1.5.5 Spare Parts - DM-100 Replacement Electrochemical Sensor Cells

Part Number	Model Number - Description
	DM-100 Electro Chemical Universal ITM
371-12EA00-100	Acetyldehyde plug-in sensor for DM-100-C2H3O
371-12EG00-100	Acetylene plug-in sensor for DM-100-C2H2
371-12EM00-100	Acrylonitrile plug-in sensor for DM-100-C3H3N
371-505000-100	Ammonia plug-in sensor for DM-102-NH3
371-191900-001	Arsine plug-in sensor for DM-100-AsH3
371-747500-005	Bromine plug-in sensor for DM-100-Br2
371-12EB00-100	Butadiene plug-in sensor for DM-100-C4H6
371-444400-100	Carbon Monoxide plug-in sensor for DM-100-CO
371-747400-010	Chlorine plug-in sensor for DM-100-CL2
371-777700-001	Chlorine Dioxide plug-in sensor for DM-100-CLO2 (0-1ppm)
371-282800-050	Chlorine Dioxide plug-in sensor for DM-100-CLO2 (0-50ppm)
371-192100-005	Diborane plug-in sensor for DM-100-B2H6
371-12EO00-100	Ethanol plug-in sensor for DM-100-C2H5OH
371-24EZ00-100	Ethyl Mercaptan plug-in sensor for DM-100-C2H5SH
371-12ED00-100	Ethylene plug-in sensor for DM-100-C2H4
371-12EJ00-100	Ethylene Oxide plug-in sensor for DM-100-C2H4O
371-272700-001	Fluorine plug-in sensor for DM-100-F2
371-12EP00-100	Formaldehyde plug-in sensor for DM-100-CH2O
371-232500-002	Germane plug-in sensor for DM-100-GeH4
371-262600-001	Hydrazine plug-in sensor for DM-100-N2H4
371-848400-100	Hydrogen plug-in sensor for DM-100-H2 (ppm range)
371-050500-04P	Hydrogen plug-in sensor for DM-100-H2 (1% & 4% range)
371-090800-030	Hydrogen Bromide plug-in sensor for DM-100-HBr
371-090900-030	Hydrogen Chloride plug-in sensor for DM-100-HCL
371-131300-030	Hydrogen Cyanide plug-in sensor for DM-100-HCN
371-333300-010	Hydrogen Fluoride plug-in sensor for DM-100-HF
371-242400-100	Hydrogen Sulfide plug-in sensor for DM-100-H2S
371-12EE00-100	Methanol plug-in sensor for DM-100-CH3OH
371-24EK00-100	Methyl Mercaptan plug-in sensor for DM-100-CH3SH
371-949400-100	Nitric Oxide plug-in sensor for DM-100-NO
371-646400-010	Nitrogen Dioxide plug-in sensor for DM-100-NO2
371-343400-025	Oxygen Deficiency sensor for DM-100-O2
371-999900-001	Ozone plug-in sensor for DM-100-O3
371-414100-001	Phosgene plug-in sensor for DM-100-COCL2
371-192000-005	Phosphine plug-in sensor for DM-100-PH3
371-232300-050	Silane plug-in sensor for DM-100-SiH4
371-555500-020	Sulfur Dioxide plug-in sensor for DM-100-SO2
371-12EF00-100	Vinyl Acetate plug-in sensor for DM-100-C4H6O2
371-12EL00-100	Vinyl Chloride plug-in sensor for DM-100-C2H3CL

Section 1.6 Detcon Sample Draw Manifold Assemblies

1.6.1 Model Series SD Sample Draw Manifolds and Sampling Conditioning Systems*

Part Number	Model Number - Description
971-041170-00L	Detcon Model SD-1x1 single sensor, single pump sample draw manifold, Nema 4X weather proof enclosure, 110 VAC power input
971-071170-00L	Detcon Model SD-1x1 single sensor, single pump sample draw manifold, Nema 7 explosion proof enclosure, 110 VAC power input
972-041170-00L	Detcon Model SD-2x1 dual sensor, single pump sample draw manifold, Nema 4X weather proof enclosure, 110 VAC power input
972-071170-00L	Detcon Model SD-2x1 dual sensor, single pump sample draw manifold, Nema 7 explosion proof enclosure, 110 VAC power input

*Sample draw manifolds do not include gas sensor assemblies

1.6.2 Spare Parts for Sample Draw Manifolds and Sampling Conditioning Systems

Part Number	Model Number - Description
351-900000-000	Sample draw pump, dual diaphragm, 120 VAC
351-152021-400	Sample draw pump, single diaphragm, 24 VDC
348-900000-000	Adjustable flow meter, Range 0-1 liter
500-005151-002	Flow fault sensor and flow fault switch assembly
500-019370-000	Flow fault/liquid level alarm and shut-down module
823-6LL200-000	Liquid level detector
360-6SD1SD-200	Line power, power supply 24 VDC, 2.4 amps
297-000000-000	Fuse, 1 amp 3AG
298-000000-000	Fuse, 2 amp 3AG
823-600000-000	Moisture knockout assembly with coalescent filter
823-6ORF00-000	Coalescent replacement filter
943-7L0000-000	Molecular sieve filter assembly
284-000000-000	Power switch Nema 4X
325-400000-000	Power switch Nema 7
284-100000-000	Red indicator lamp Nema 4X
283-1R0000-000	Red indicator lamp Nema 7
284-200000-000	Green indicator lamp Nema 4x
283-1G0000-000	Green indicator lamp Nema 7
600-001747-SS5	Stainless steel sample chamber (fits electrochemical, catalytic, and infrared sensor housings). Does not include fittings.
943-121747-SS5	Stainless steel sample chamber (fits electrochemical, catalytic, and infrared sensor housings) Includes straight and elbow fittings.
311-500000-000	Directional valve, 3-way stainless steel
310-600000-000	Stainless steel bulkhead fitting 1/4 tube 1/4 tube
311-100000-000	Stainless steel "elbow" fitting 1/4 tube 1/8 NPT
311-200000-000	Stainless steel "straight" fitting 1/4 tube 1/8 NPT
984-000000-000	Polyvinyl chloride (Tygon) tubing, .25" OD
997-000000-000	Stainless steel tubing, .25" OD
984-200000-000	Teflon tubing, .25" OD

Section 1.7 Fire Detection Sensors Assemblies

1.7.1 UV/IR Fire Detector Assemblies

Part Number	Model Number - Description
995-884200-000	Electro-optical UV/IR digital fire detector with relays
995-8842MA-000	Electro-optical UV/IR digital fire detector with 4-20 mA output

Section 2.0 Gas Detection Control Systems

Section 2.1 Model 10C Single Sensor Control Card Gas Detection Systems

2.1.1 Model Series 10C Control Modules

Part Number	Model Number - Description
915-520050-100	Model CG-10C, 0-100 % LEL combustible gas
915-010050-100	Model HS-10C, 0-100 PPM Hydrogen Sulfide
915-340050-25P	Model O2-10C, 0-25 % Oxygen Deficiency
915-EA0050-100	Model C2H3O-10C, 0-100 PPM Acetaldehyde
915-EG0050-100	Model C2H2-10C, 0-100 PPM Acetylene
915-EM0050-100	Model C3H3N-10C, 0-100 PPM Acrylonitrile
915-000050-100	Model NH3-10C, 0-100 PPM Ammonia
915-190050-001	Model AsH3-10C, 0-1 PPM Arsine
915-750050-005	Model Br2-10C, 0-5 PPM Bromine
915-EB0050-100	Model C4H6-10C, 0-100 PPM Butadiene
915-400050-01P	Model CO2-10C, 0-1 % Carbon Dioxide
915-440050-100	Model CO-10C, 0-100 PPM Carbon Monoxide
915-740050-010	Model CL2-10C, 0-10 PPM Chlorine
915-760050-001	Model CLO2-10C, 0-1 PPM Chlorine Dioxide
915-210050-005	Model B2H6-10C, 0-5 PPM Diborane
915-EO0050-100	Model C2H5OH-10C, 0-100 PPM Ethanol
915-EZ0050-100	Model C2H5SH-10C, 0-100 PPM Ethyl Mercaptans
915-ED0050-100	Model C2H4-10C, 0-100 PPM Ethylene
915-EJ0050-100	Model C2H4O-10C, 0-100 PPM Ethylene Oxide
915-270050-001	Model F2-10C, 0-1 PPM Fluorine
915-EP0050-100	Model CH2O-10C, 0-100 PPM Formaldehyde
915-250050-002	Model GeH4-10C, 0-2 PPM Germane
915-260050-001	Model N2H4-10C, 0-1 PPM Hydrazine
915-840050-100	Model H2-10C, 0-100 PPM Hydrogen
915-050050-100	Model H2-10C, 0-100 % LEL Hydrogen
915-080050-030	Model HBr-10C, 0-30 PPM Hydrogen Bromide
915-140050-030	Model HCL-10C, 0-30 PPM Hydrogen Chloride
915-040050-030	Model HCN-10C, 0-30 PPM Hydrogen Cyanide
915-330050-010	Model HF-10C, 0-10 PPM Hydrogen Fluoride
915-EE0050-100	Model CH3OH-10C, 0-100 PPM Methanol
915-EK0050-100	Model CH3SH-10C, 0-100 PPM Methyl Mercaptans
915-940050-100	Model NO-10C, 0-100 PPM Nitric Oxide
915-640050-010	Model NO2-10C, 0-10 PPM Nitrogen Dioxide
915-390050-001	Model O3-10C, 0-1 PPM Ozone
915-410050-001	Model COCL2-10C, 0-1 PPM Phosgene
915-200050-005	Model PH3-10C, 0-5 PPM Phosphine
915-230050-050	Model SiH4-10C, 0-50 PPM Silane
915-540050-020	Model SO2-10C, 0-20 PPM Sulfur Dioxide
915-EF0050-100	Model C4H6O2-10C, 0-100 PPM Vinyl Acetate
915-EL0050-100	Model C2H3CL-10C, 0-100 PPM Vinyl Chloride
910-000008-003	Detcon Model Series 10 Blank Plate

2.1.2 Model 10 Nema 1 Panel Mount Enclosures and Mainframe Hardware Assemblies

Part Number	Model Number - Description
951-041040-000	Model 410-N1-24VDC Nema 1, 4 channel panel mount mainframe. Requires external 24 VDC power supply.
951-081040-000	Model 810-N1-24VDC Nema 1, 8 channel panel mount mainframe. Requires external 24 VDC power supply.
951-161040-000	Model 1610-N1 Nema 1, 16 channel panel mount mainframe. Requires external 24 VDC power supply.
975-124150-000	Nema 1 line power 24 VDC power supply, 6.25 amps 150 Watts, standard 19" rack mount
975-124300-000	Nema 1 line power 24 VDC power supply, 12.5 amps 300 Watts, standard 19" rack mount

2.1.3 Model 10 Nema 4X Weatherproof Wall Mount Enclosures & Mainframe Hardware Assemblies

Part Number	Model Number - Description
954-061050-000	Model 610-N4X Nema 4X, 6 channel weatherproof wall mount enclosure with line power 24 VDC power supply
954-101050-000	Model 1010-N4X Nema 4X, 10 channel weatherproof wall mount enclosure with line power 24 VDC power supply
954-161050-000	Model 1610-N4X Nema 4X, 16 channel weatherproof wall mount enclosure with line power 24 VDC power supply
954-041052-000	Model 410SS-N4X Nema 4X, 4 channel stainless steel weatherproof wall mount with line power 24VDC PS
954-081052-000	Model 810SS-N4X Nema 4X, 8 channel stainless steel weatherproof wall mount with line power 24VDC PS
954-161052-000	Model 1610SS-N4X Nema 4X, 16 channel stainless steel weatherproof wall mount with line power 24VDC PS

2.1.4 Model 10 Nema 7 Explosion Proof Wall Mount Enclosures and Mainframe Hardware Assemblies

Part Number	Model Number - Description
957-061050-000	Model 610XP Nema 7, 6 channel explosion proof wall mount enclosure with line power 24 VDC power supply
957-101050-000	Model 1010XP Nema 7, 10 channel explosion proof wall mount enclosure with line power 24 VDC power supply

2.1.5 Spare Parts Model 10 Series Control Systems

Part Number	Model Number - Description
975-3675R0-000	Z-Purge Kit with pressure switch (for Mod 10/12 N4X)
910-000008-003	Detcon Model Series 10 Blank Plate
500-502600-000	Auxiliary Alarm Relay Board
591-000000-000	Model 10 extender card
224-000000-000	Gold plated jumper tab
320-228861-103	3 Amp Circuit Breaker/Power Switch (610-N4X, 1010-N4X)
320-228861-105	5 Amp Circuit Breaker/Power Switch (1610-N4X)
360-SWS100-024	Power supply (610-N4X)
360-SWS150-024	Power supply (1010-N4X)
360-SWS300-024	Power supply (1610-N4X)

Section 2.2 Model 12 Single Sensor Control Card Gas Detection Systems

2.2.1 Model Series 12 Control Modules

Part Number	Model Number - Description
912-520040-100	Model CG-12, 0-100 % LEL combustible gas
912-010040-100	Model HS-12, 0-100 PPM Hydrogen Sulfide
912-340042-5X0	Model O2-12, 0-25 % Oxygen Deficiency
912-EA0040-100	Model C2H3O-12, 0-100 PPM Acetyldehyde
912-EG0040-100	Model C2H2-12, 0-100 PPM Acetylene
912-EM0040-100	Model C3H3N-12, 0-100 PPM Acrylonitrile
912-000040-100	Model NH3-12, 0-100 PPM Ammonia
912-190040-1X0	Model AsH3-12, 0-1 PPM Arsine
912-750040-5X0	Model Br2-12, 0-5 PPM Bromine
912-EB0040-100	Model C4H6-12, 0-100 PPM Butadiene
912-400041-X00	Model CO2-12, 0-1 % Carbon Dioxide
912-440040-100	Model CO-12, 0-100 PPM Carbon Monoxide
912-740041-0X0	Model CL2-12, 0-10 PPM Chlorine
912-760040-1X0	Model CLO2-12, 0-1 PPM Chlorine Dioxide
912-210040-5X0	Model B2H6-12, 0-5 PPM Diborane
912-EO0040-100	Model C2H5OH-12, 0-99 PPM Ethanol
912-EZ0040-100	Model C2H5SH-12, 0-100 PPM Ethyl Mercaptans
912-ED0040-100	Model C2H4-12, 0-100 PPM Ethylene
912-EJ0040-100	Model C2H4O-12, 0-100 PPM Ethylene Oxide
912-270040-1X0	Model F2-12, 0-1 PPM Fluorine
912-EP0040-100	Model CH2O-12, 0-100 PPM Formaldehyde
912-250040-2X0	Model GeH4-12, 0-2 PPM Germane
912-260040-1X0	Model N2H4-12, 0-1 PPM Hydrazine
912-840040-100	Model H2-12, 0-100 PPM Hydrogen
912-050040-100	Model H2-12, 0-100 % LEL Hydrogen
912-080040-030	Model Hbr-12, 0-30 PPM Hydrogen Bromide
912-140040-030	Model HCL-12, 0-30 PPM Hydrogen Chloride
912-040040-030	Model HCN-10, 0-30 PPM Hydrogen Cyanide
912-330050-010	Model HF-12, 0-10 PPM Hydrogen Fluoride
912-EE0040-100	Model CH3OH-12, 0-100 PPM Methanol
912-EK0040-100	Model CH3SH-12, 0-100 PPM Methyl Mercaptans
912-940040-100	Model NO-12, 0-100 PPM Nitric Oxide
912-640040-010	Model NO2-12, 0-10 PPM Nitrogen Dioxide
912-390040-1X0	Model O3-12, 0-1 PPM Ozone
912-410040-1X0	Model COCL2-12, 0-1 PPM Phosgene
912-200040-5X0	Model PH3-12, 0-5 PPM Phosphine
912-230040-050	Model SiH4-12, 0-50 PPM Silane
912-540040-020	Model SO2-12, 0-20 PPM Sulfur Dioxide
912-EF0040-100	Model C4H6O2-12, 0-100 PPM Vinyl Acetate
912-EL0040-100	Model C2H3CL-12, 0-100 PPM Vinyl Chloride
912-000008-005	Detcon Model Series 12 Blank Plate

2.2.2 Model 12 Nema 1 Panel Mount Enclosures and Mainframe Hardware Assemblies

Part Number	Model Number - Description
951-061240-000	Model 612 Nema 1, 6 channel panel mount mainframe (Requires external line power 24 VDC power supply)
951-121240-000	Model 1212 Nema 1, 12 channel panel mount mainframe (Requires external line power 24 VDC power supply)
975-124150-000	Nema 1 line power 24 VDC power supply, 6.25 amps 150 Watts, standard 19" rack mount
975-124300-000	Nema 1 line power 24 VDC power supply, 12.5 amps 300 Watts, standard 19" rack mount

2.2.3 Model 12 Nema 4X Weatherproof Wall Mount Enclosures & Mainframe Hardware Assemblies

Part Number	Model Number - Description
954-081250-000	Model 812-N4X Nema 4X, 8 channel weatherproof wall mount enclosure with line power 24 VDC power supply, 110/220 VAC
954-121250-000	Model 1212-N4X Nema 4X, 12 channel weatherproof wall mount enclosure with line power 24 VDC power supply
954-061242-000	Model 612SS-N4X Nema 1, 6 channel stainless steel weatherproof wall mount enclosure with line power 24 VDC power supply
954-121242-000	Model 1212SS-N4X Nema 1, 12 channel stainless steel weatherproof wall mount enclosure w/line pwr 24 VDC pwr supply

2.2.4 Model 12 Nema 7 Explosion Proof Wall Mount Enclosures and Mainframe Hardware Assemblies

Part Number	Model Number - Description
957-041250-000	Model 412XP Nema 7, 4 channel explosion proof wall mount enclosure with line power 24 VDC power supply
957-081250-000	Model 812XP Nema 7, 8 channel explosion proof wall mount enclosure with line power 24 VDC power supply

2.2.5 Spare Parts Model 12 Series Control Systems

Part Number	Model Number - Description
975-3675R0-000	Z-Purge Kit with pressure switch (for Mod 10/12 N4X)
912-000008-005	Detcon Model Series 12 Blank Plate
500-502600-000	Auxiliary Alarm Relay Board
224-000000-000	Gold plated jumper tab
360-801024-000	Power supply (412-N4X)
360-SWS150-024	Power supply (812-N4X)
360-SWS300-024	Power supply (1212-N4X)
328-000000-000	Panel mount fuse holder
298-000000-000	2 amp slow blow fuse (412-N4X, 812-N4X)
300-000000-000	3 amp slow blow fuse (1212-N4X)
321-800000-000	Switch for power and alarm disable
280-600000-000	Green switch cap for power switch
280-700000-000	Red switch cap for power switch
281-200000-000	LED for power and alarm disable switch

Section 2.3 Model Series X40 Multi-Channel Gas Detection Systems

2.3.1 Model X40 Gas Detection Systems

Part Number	Model Number - Description
954-010110-000	Model 140-N4X, single channel gas detection control system in wall mount weatherproof enclosure 110/220VAC 24VDC pwr supply
954-020210-000	Model 240-N4X, dual channel gas detection control system in wall mount weatherproof enclosure w/110/220 VAC 24 VDC pwr supply
954-040410-000	Model 440-N4X, four channel gas detection control system in wall mount weatherproof enclosure w/ 110/220 VAC 24 VDC pwr supply
954-080810-000	Model 840-N4X, eight channel gas detection control system in wall mount weatherproof enclosure w/ 110/220 VAC 24 VDC pwr supply
954-164010-000	Model 1640-N4X, 16 channel gas detection control system in wall mount weatherproof enclosure w/ 110/220 VAC 24 VDC pwr supply. For analog inputs, the unit requires analog data acquisition input modules.
954-324010-000	Model 3240-N4X, 32 channel gas detection control system in wall mount weatherproof enclosure w/ 110/220 VAC 24 VDC pwr supply. Note: For analog inputs, the unit requires analog data acquisition input modules.

2.3.3 Spare Parts - Model X40 Gas Detection Systems

Part Number	Model Number - Description
975-110140-240	Standby battery kit for 140-N4X/240-N4X
975-110440-840	Standby battery kit for 440-N4X/840-N4X
500-005074-001	Motherboard PCB assembly for 140-N4X
500-005075-001	Motherboard PCB assembly for 240-N4X
500-005076-001	Motherboard PCB assembly for 440-N4X
500-005077-001	Motherboard PCB assembly for 840-N4X
500-005071-LCD	Controller PCB assembly with LCD module for 140/240-N4X
500-005072-LCD	Controller PCB assembly with LCD module for 440-N4X
500-005073-LCD	Controller PCB assembly with LCD module for 840-N4X
360-500001-000	Replacement power supply with cables for 140/240-N4X
360-600001-000	Replacement power supply with cables for 440/840-N4X
975-367509-87P	Z-Purge Kit with pressure switch and plate (for X40 1600/6400 N4X)
980-261170-000	X40 data download cable
500-005079-000	4-20 mA Output Module 140/240/440-N4X

2.3.4 Item Code Configuration Sheet - Model X40 Controllers

**Prefix 95x:
Model X40 Controllers**

9 5 - -

Electrical Classification _____

- 1 - NEMA 1
- 4 - NEMA 4
- 7 - NEMA 7

Number of Channels _____

- 0101 - Single Channel
- 0202 - Dual Channel
- 0404 - Four Channels
- 0808 - Eight Channels

Power _____

- 1 - 110VAC/220VAC, 12VDC/24VDC
- 2 - 12VDC/24VDC (no power supply)

Options _____

Build options from left in listed order (ie. 1-234)

- 1 - Battery Backup
- 2 - 4-20 mA Output Module
- 3 -
- 4 - Remote Display Daughter PCB
- 5 - Remote Reset Switch

Section 2.4 Model Series MCX-32 Multi-Channel Integrated Control Systems

2.4.1 Model MCX-32 Control Systems

Part Number	Model Number - Description
95P-323210-000	Model MCX-32-N1P, 64 channel integrated control system in panel mount hardware assembly 110/220 VAC 24 VDC power supply.
95R-323210-000	rack mount hardware assembly w/ 110/220 VAC 24 VDC pwr supply.
954-323210-000	Model MCX-32-N4X, 64 channel integrated control system in wall mount ABS weatherproof enclosure w/110/220 VAC 24 VDC power supply.
954-323213-000	Model MCX-32-N4X, 64 channel integrated control system in 316 stainless steel wall mount weatherproof enclosure w/110/220 VAC 24 VDC pwr supply.

*Addressable I/O Modules are not included and are sold separately.

2.4.2 IO Nodes and Enclosure Options

Part Number	Model Number - Description
954--R21610-000	NEMA 4X Remote I/O Module Enclosure includes 150 watt power supply, for use with up to 8 I/O modules
957--R21610-000	NEMA 7X Remote I/O Module Enclosure includes 150 watt power supply, for use with up to 8 I/O modules

2.4.3 IO Modules

Part Number	Model Number - Description
360-16N030-024	Din Rail Power Supply 30 Watts including breaker and overvoltage modules (recommended for use with up to 4 remote sensors)
360-16N075-024	Din Rail Power Supply 75 Watts including breaker and overvoltage modules (recommended for use with up to 8 remote sensors)
360-16N120-024	Din Rail Power Supply 120 Watts including breaker and overvoltage modules (recommended for use with up to 16 remote sensors)
976-041400-000	Detcon Model DA-4 four channel 4-20 maDC input module
975-041400-000	Detcon Model RL-4 four relay alarm module
975-041402-000	Detcon Model DI-4 four channel dry contact input module
975-041401-000	Detcon Model AO-4 four channel analog output module
976-485485-000	RS-485 Isolated Repeater, 9-30VDC

2.4.4 Spare Parts - Model MCX-32 Gas Detection Control Systems

Part Number	Model Number - Description
975-367509-87P	Z-Purge Kit with pressure switch and plate (for X40 1600/6400 N4X)

Section 2.5 Detcon Model 880 PLC Graphic Gas Detection Control Systems

2.5.1 PLC Graphic Control Systems

Part Number	Model Number - Description
904-880A00-000	Detcon Model 880A-N4X Modbus Master gas detection control system in a NEMA 4 enclosure for use with distributed I/O nodes and up to 72 analog field devices
904-880S00-000	Detcon Model 880S-N4X Modbus Master gas detection control system in a NEMA 4 enclosure for use with addressable field devices utilizing a Modbus RTU protocol
90R-880A00-000	Detcon Model 880A-N1R Modbus Master gas detection control system in a NEMA 1 19" rack mount assembly. System design for use with distributed I/O nodes and up to 72 analog field devices
90R-880S00-000	Detcon Model 880S-N1R Modbus Master gas detection control system in a NEMA 1 19" rack mount assembly. System design for use with distributed I/O nodes and up to 72 analog field devices
904-880RA0-000	Detcon Model 880RA-N4X Analog remote display with touch screen and NEMA 4X enclosure
904-880RS0-000	Detcon Model 880RS-N4X Serial remote display with touch screen and NEMA 4X enclosure

2.5.2 Addressable IO Modules

Part Number	Model Number - Description
976-041400-000	Detcon Model DA-4 four channel 4-20 maDC input module
975-041400-000	Detcon Model RL-4 four relay alarm module
975-041402-000	Detcon Model DI-4 four channel dry contact input module
975-041401-000	Detcon Model AO-4 four channel analog output module
976-485485-000	RS-485 Isolated Repeater, 9-30VDC

2.5.3 IO Nodes and Enclosure Options

Part Number	Model Number - Description
954--R21610-000	NEMA 4X Remote I/O Module Enclosure includes 150 watt power supply, for use with up to 8 I/O modules
957--R21610-000	NEMA 7X Remote I/O Module Enclosure includes 150 watt power supply, for use with up to 8 I/O modules
360-16N030-024	Din Rail Power Supply 30 Watts including breaker and overvoltage modules (recommended for use with up to 4 remote sensors)
360-16N075-024	Din Rail Power Supply 75 Watts including breaker and overvoltage modules (recommended for use with up to 8 remote sensors)
360-16N120-024	Din Rail Power Supply 120 Watts including breaker and overvoltage modules (recommended for use with up to 16 remote sensors)

2.5.4 Control Function Modules

Part Number	Model Number - Description
995-08TR00-000	D2-08TR 8 relay digital output
995-321091	D2-Bat-1 * D2-250 & D3-350 CPU Battery
995-323220-100	D2-DCM Data communication module
995-459082-000	C-more 8" Color Touch Panel
995-508803-500	FA-ISOCAN * Isolated RS232 to RS422

Section 2.6 Remote Displays

Part Number	Model Number - Description
954-083200-DSC	Detcon Model RD-8X-N4X read-only remote display in NEMA 4X enclosure. Configurable up to 32 channels. Note: Used for Model Series X40, Model 10 and Model 12 controllers.
957-083200-DSC	Detcon Model RD-8X-N7 read-only remote display in NEMA 7 enclosure. Configurable up to 32 channels. Note: Used for Model Series X40, Model 10 and Model 12 controllers.
904-88RA00-000	Detcon Model 880RA-N4X Analog remote display with touch screen and NEMA 4X enclosure
904-88RS00-000	Detcon Model 880RS-N4X Serial remote display with touch screen and NEMA 4X enclosure

Section 3.0 Gas Detection System Accessories/Control Circuits

Part Number	Model Number - Description
500-521600-102	RD-4X Modbus output control card, 16 channel 4-20 mADC input, RS-485 Modbus output
980-984201-500	RS-485 cable, armored, shielded, 2-twisted pair (Priced per foot)
500-003670-024	Surge protector control card, 4 channel 3-wire 4-20 mADC
500-511000-000	Line power surge protector, 3-wire 117 VAC, 15 amps
975-343100-000	Sensor surge protector Nema 7, 3 conductor, 24 VDC
975-343100-024	Sensor surge protector Nema 7, 6 conductor, 24 VDC
975-343000-005	Sensor RFI/EMI choke Nema 7, 5", 11 conductor
975-343002-007	Sensor RFI/EMI choke Nema 7, 7", 11 conductor
500-502600-000	Auxiliary alarm relay board, Four 8 amp 30 VDC relays form "C" contacts
500-503200-000	Analog signal zoning module, up to eight 4-20 mADC inputs, outputs the highest signal
500-512000-000	8 channel alarm acknowledge/silence card
500-505000-000	Low voltage cutoff circuit, 24 VDC input, adjustable cutoff
500-011803-000	12 pin connector PCB for remote sensor and DA-1
951-000000-CTF	Model 10 and Model 12 Series control card test fixture
951-FP0000-TTF	FP Transmitter Test Fixture for Model Series FP-424, FP-524 and FP-624 Transmitters
951-TP0000-TTF	TP Transmitter Test Fixture for Model Series TP-424, TP-524 and TP-624 Transmitters
951-DM0000-TTF	DM Transmitter Test Fixture for Model Series DM-500 and DM-600 transmitters
951-O20000-TTF	O2 Transmitter Test Fixture for Model Series DM-534 and DM-634 Transmitters

Section 4.0 Stand Alone Power Supplies and Stand-by Battery Systems with Battery Chargers

Part Number	Model Number - Description
975-724012-110	Nema 7 line power 24 VDC power supply, 1/2 amp 12 Watts
975-124150-000	Nema 1 line power 24 VDC power supply, 6.25 amps 150 Watts, standard 19" rack mount
975-424172-110	Nema 4X weatherproof line power 24 VDC power supply, 6.25 amps 150 Watts
975-724172-110	Nema 7 line power 24 VDC power supply, 6.25 amps 150 Watts
975-124300-000	Nema 1 line power 24 VDC power supply, 12.5 amps 300 Watts, standard 19" rack mount
975-424288-110	Nema 4X weatherproof line power 24 VDC power supply, 12.5 amps 300 Watts
975-724288-110	Nema 7 line power 24 VDC power supply, 12.5 amps 300 Watts
975-424408-110	Nema 4X weatherproof 24 VDC 17 amp hour battery supply with line charger
975-424600-110	Nema 4X weatherproof 24 VDC 25 amp hour battery supply with line charger

Section 5.0 Gas Detection Calibration Standards, Calibrators and Accessories

Section 5.1 Calibration Kits

Part Number	Model Number - Description
943-020000-000	Span gas kit complete with 200 ml fixed flow regulator, 6 foot length of tubing, humidifier, calibration sleeve/wind guard, carrying case
943-050000-000	Span gas kit complete with 500 ml fixed flow regulator, 6 foot length of tubing, humidifier, calibration sleeve/wind guard, carrying case
943-100000-000	Span gas kit complete with 1 liter fixed flow regulator, 6 foot length of tubing, humidifier, calibration sleeve/wind guard, carrying case
943-050000-HRG	Span gas kit complete with 500 ml fixed flow regulator suitable for highly reactive gases (Cl ₂ , HCl, HCN), 2 ft length of teflon tubing, cal sleeve/wind guard, carrying case. Requires teflon cal adapter.
943-05AM00-000	Span gas kit complete with 500 ml fixed flow regulator suitable for NH ₃ , 2 foot length of teflon tubing, calibration sleeve/wind guard, carrying case. Requires teflon cal adapter.

Note: Span Gas Kits do not include span gas cylinders or calibration adaptors. Span gas cylinders and calibration adaptors are added and treated as separate line items.

Section 5.2 Span Gas Cylinders

Part Number	Model Number - Description
942-001123-000	Zero Air, 103 liters
942-000212-010	Ammonia, 10 PPM in Nitrogen, 58 liters
942-000212-025	Ammonia, 25 PPM in Nitrogen, 58 liters
942-000212-050	Ammonia, 50 PPM in Nitrogen, 58 liters
942-400122-02K	Carbon Dioxide, 2000 PPM in Air, 103 liters
942-400123-2X5	Carbon Dioxide, 2.5% in Air, 103 liters
942-400123-005	Carbon Dioxide, 5% in Air, 103 liters
942-440122-050	Carbon Monoxide, 50 PPM in Air, 103 liters
942-440122-100	Carbon Monoxide, 100 PPM in Air, 103 liters
942-440122-250	Carbon Monoxide, 250 PPM in Air, 103 liters
942-740212-002	Chlorine, 2 PPM in Nitrogen, 58 liters
942-740212-003	Chlorine, 3 PPM in Nitrogen, 58 liters
942-740212-005	Chlorine, 5 PPM in Nitrogen, 58 liters
942-740212-010	Chlorine, 10 PPM in Nitrogen, 58 liters
942-840124-050	Hydrogen, 50% LEL in Air, 103 liters
942-140212-005	Hydrogen Chloride, 5 PPM in Nitrogen, 58 liters
942-140212-010	Hydrogen Chloride, 10 PPM in Nitrogen, 58 liters
942-140212-025	Hydrogen Chloride, 25 PPM in Nitrogen, 58 liters
942-040212-010	Hydrogen Cyanide, 10 PPM in Nitrogen, 58 liters
942-040212-025	Hydrogen Cyanide, 25 PPM in Nitrogen, 58 liters
942-010212-005	Hydrogen Sulfide, 5 PPM in Nitrogen, 58 liters
942-010212-010	Hydrogen Sulfide, 10 PPM in Nitrogen, 58 liters
942-010112-020	Hydrogen Sulfide, 20 PPM in Air 58 liters
942-010112-025	Hydrogen Sulfide, 25 PPM in Air, 58 liters
942-010112-040	Hydrogen Sulfide, 40 PPM in Air, 58 liters

942-010112-050	Hydrogen Sulfide, 50 PPM in Air, 58 liters
942-523122-005	Isobutylene, 5 PPM in Air, 103 liters
942-523122-010	Isobutylene, 10 PPM in Air, 103 liters
942-523122-025	Isobutylene, 25 PPM in Air, 103 liters
942-523122-050	Isobutylene, 50 PPM in Air, 103 liters
942-523122-500	Isobutylene, 500 PPM in Air, 103 liters
942-520124-025	Methane, 25% LEL in Air, 103 liters
942-520124-050	Methane, 50% LEL in Air, 103 liters
942-520124-080	Methane, 80% LEL in Air, 103 liters
942-940212-025	Nitric Oxide, 25 PPM in Nitrogen, 58 liters
942-640023-100	Nitrogen, 99.99%, 103 liters
942-640212-005	Nitrogen Dioxide, 5 PPM in Nitrogen, 58 liters
942-521124-050	Pentane, 50% LEL in Air, 103 liters
942-200212-0X5	Phosphine, 0.5 PPM in Nitrogen, 58 liters
942-522124-050	Propane, 50% LEL in Air, 103 liters
942-540212-005	Sulfur Dioxide, 5 PPM in Nitrogen, 58 liters
942-540212-010	Sulfur Dioxide, 10 PPM in Nitrogen, 58 liters
942-540212-025	Sulfur Dioxide, 25 PPM in Nitrogen, 58 liters
942-540212-050	Sulfur Dioxide, 50 PPM in Nitrogen, 58 liters

Note: For gases or gas blends other than those listed, contact the Detcon sales department.

Section 5.3 Regulators and Other Component Parts

Part Number	Model Number - Description
943-090005-502	Regulator, fixed flow rate 200 milliliters
943-090005-510	Regulator, fixed flow rate 500 milliliters
943-001767-5RG	Regulator for highly reactive gases (CL2, HCl, HCN), fixed flow rate 500 ml
943-001781-5AM	Regulator for NH3, fixed flow rate 500 milliliters
943-090005-520	Regulator, fixed flow rate 1000 milliliters
943-000006-038	Calibration adapter, solid state H2S TP-424/524/624
943-000006-132	Calibration adapter FP/IR/DM/O2/PI/TP-700
943-T02649-000	Calibration adapter, teflon for highly reactive gases (HCl, CL2, HCN, NH3)
943-002401-000	Calibration adapter, Detcon Model 200
985-241100-321	In-line humidifying tube
613-120000-700	Sensor splash guard with integral cal-port - FP/DM/IR
600-610000-000	Sensor splash guard w/integral cal port TP-424/TP-524/TP-624
984-000000-000	Clear vinyl tubing 1/4 OD (price per foot)
984-200000-000	Teflon tubing 1/4 OD (price per foot)
943-090092-032	Canvas carry bag with foam insert for 2 gas cylinders
943-000000-000	Calibration Sleeve/Wind Guard for splash guard

Section 6.0 Special Application Products

Section 6.1 Wireless Network Transceivers and Gas Detection Products

Part Number	Model Number - Description
976-000300-000	Detcon Model RXT-300 Wireless Network Transceiver
976-000301-000	Detcon Model RXT-300 Wireless Network Transceiver with aluminum junction box and terminal board
976-000302-000	Detcon Model RXT-300 wireless network transceiver with stainless steel junction box and terminal board

Section 6.2 Junction Boxes and Instrument Enclosures

Part Number	Model Number - Description
897-850000-010	Standard aluminum junction box with solid lid
897-850901-010	Standard aluminum junction box with lens cover
897-850902-010	Standard aluminum junction box with extended lens cover
897-850800-010	Standard aluminum junction box bottom
897-850500-010	Standard aluminum junction box glass lens top
897-850400-010	Standard aluminum junction box solid top
897-850702-010	Standard aluminum junction box extended glass lens top
897-850000-316	Standard 316SS junction box with solid lid
897-850901-316	Standard 316SS junction box with lens cover
897-850801-316	Standard 316SS junction box bottom
897-850701-316	Standard 316SS junction box glass lens top
897-850401-316	Standard 316SS junction box solid top
897-860000-316	Mini 316SS junction box with solid lid
897-860800-316	Mini 316SS junction box bottom
897-860400-316	Mini 316SS junction box solid top

Section 7.0 Process Analyzers

Section 7.1 H2S Analyzer - Complete Assemblies with Options (Option Pricing Additional, see below)

Part Number	Model Number - Description
952-053200-200	Model 1000-H2S Manual Calibration Hydrogen Sulfide Process Analyzer 0-20 ppm, 24VDC/110VAC/220VAC
952-053200-700	Model 1000-H2S Manual Calibration Hydrogen Sulfide Process Analyzer 0-50 ppm, 24VDC/110VAC/220VAC
952-053200-800	Model 1000-H2S Manual Calibration Hydrogen Sulfide Process Analyzer 0-100 ppm, 24VDC/110VAC/220VAC
952-053H00-900	Model 1000-H2S Manual Calibration Hydrogen Sulfide Process Analyzer 0-1000 ppm, 24VDC/110VAC/220VAC
952-053H00-A00	Model 1000-H2S Manual Calibration Hydrogen Sulfide Process Analyzer 0-2000 ppm, 24VDC/110VAC/220VAC
952-053H00-B00	Model 1000-H2S Manual Calibration Hydrogen Sulfide Process Analyzer 0-3000 ppm, 24VDC/110VAC/220VAC
952-053H00-C00	Model 1000-H2S Manual Calibration Hydrogen Sulfide Process Analyzer 0-1%, 24VDC/110VAC/220VAC
952-053H00-Q00	Model 1000-H2S Manual Calibration Hydrogen Sulfide Process Analyzer 0-2%, 24VDC/110VAC/220VAC
952-053H00-500	Model 1000-H2S Manual Calibration Hydrogen Sulfide Process Analyzer 0-5%, 24VDC/110VAC/220VAC

Consult factory for other r Consult factory for other ranges

Options:

Non-Rated (NEMA 1) Enclosure (P/N xxx-1xxxxx-xxx) Add: \$895.00

NEMA 4 Enclosure (P/N xxx -4xxxxx-xxx) Add \$1,095.00

NEMA 4 Stainless Steel Enclosure (P/N xxx-5xxxxx-xxx) Add: \$1,695.00

Air Flow Fault (P/N xxx-xxxxxx-xx2) Add: \$225.00

Section 7.2 CO2 Analyzer - Complete Assemblies with Options (Option Pricing Additional, see below)

Part Number	Model Number - Description
952-054000-B00	Model 1000-CO2 Manual Calibration Carbon Dioxide Process Analyzer 0-3000ppm, 24VDC/110VAC/220VAC
952-054000-100	Model 1000-CO2 Manual Calibration Carbon Dioxide Process Analyzer 0-1%, 24VDC/110VAC/220VAC
952-054000-300	Model 1000-CO2 Manual Calibration Carbon Dioxide Process Analyzer 0-3%, 24VDC/110VAC/220VAC
952-054000-500	Model 1000-CO2 Manual Calibration Carbon Dioxide Process Analyzer 0-5%, 24VDC/110VAC/220VAC
952-054200-400	Model 1000-CO2 Manual Calibration Carbon Dioxide Process Analyzer 0-15%, 24VDC/110VAC/220VAC
952-054200-D00	Model 1000-CO2 Manual Calibration Carbon Dioxide Process Analyzer 0-30%, 24VDC/110VAC/220VAC
952-054200-E00	Model 1000-CO2 Manual Calibration Carbon Dioxide Process Analyzer 0-50%, 24VDC/110VAC/220VAC

952-054200-F00 Model 1000-CO2 Manual Calibration Carbon Dioxide Process Analyzer 0-100%, 24VDC/110VAC/220VAC

Options:

- Non-Rated (NEMA 1) Enclosure (P/N xxx-1xxxxx-xxx) Add: \$895.00
- NEMA 4 Enclosure (P/N xxx-4xxxxx-xxx) Add \$1,095.00
- NEMA 4 Stainless Steel Enclosure (P/N xxx-5xxxxx-xxx) Add: \$1,695.00
- Sample Flow Fault (P/N xxx-xxxxxx-xx1) Add: \$1,200.00

Section 7.3 H2S/CO2 Dual Analyzer - Complete Assemblies with Options

Part Number	Model Number - Description
952-053240-250	Model 1000-H2S/CO2 Manual Calibration Process Analyzer 0-20ppm H2S, 0-5% CO2, 24VDC/110VAC/220VAC
952-053H40-Q50	Model 1000-H2S/CO2 Manual Calibration Process Analyzer 0-2% H2S, 0-5% CO2, 24VDC/110VAC/220VAC

* Consult factory for range specific P/N information

Options:

- Non-Rated (NEMA 1) Enclosure (P/N xxx-1xxxxx-xxx) Add: \$895.00
- NEMA 4 Enclosure (P/N xxx-4xxxxx-xxx) Add \$1,095.00
- NEMA 4 Stainless Steel Enclosure (P/N xxx-5xxxxx-xxx) Add: \$1,695.00
- Air Flow Fault (P/N xxx-xxxxxx-xx2) Add: \$225.00

Section 7.4 Analyzer Spare Parts & Accessories

Part Number	Model Number - Description
370-323200-000	Electrochemical H2S plug-in detector assembly (≤100 ppm range)
370-3H3H00-000	Electrochemical H2S plug-in detector assembly (≥1000 ppm range)
327-000000-000	Magnetic programming tool
360-205421-024	24VDC Power supply
500-005151-002	Flow fault circuit assembly
350-523081-02K	Mass flow controller
351-152021-400	Pump 24VDC field replacement assembly
360-2424TS-100	24-24V DC to DC converter assembly
823-101085-882	Genie membrane filter
823-101575-000	Genie membrane filter kit
943-200000-000	1000 carbon scrubber assembly
350-300000-000	0.5 Lpm rotameter no valve
348-900000-000	1 Lpm rotameter with valve
926-245502-xxx	010=10ppm, 020=20ppm, 100=100ppm, 01K=1,000ppm, 03K=3,000ppm, 10K=10,000ppm, 15K=15,000ppm, 50K=50,000ppm
370-365878-111	Low range CO2 plug-in optical replacement sensor
370-287724-232	High range CO2 plug-in optical replacement sensor
390-000088-000	Low range CO2 housing assembly (does not include plug-in)
390-000088-0HR	High range CO2 housing assembly (does not include plug-in)
4040-H2S32-Nxx	H2S Housing Assembly. Last 2 digits are for range: 010=10ppm, 020=20ppm, etc
4040-H2S32-xxx	H2S Housing Assembly. Last 3 digits are for range: 100=110ppm, 200=200ppm, etc
404-0H2S3H-NxP	etc

926-405502-xxx	IR-640 transmitter module 0-5% Last 3 digits are for range: 0X3=3,000ppm, 0X5=5,000ppm, 001=1%, 005=5%
926-425502-xxx	IR-642 transmitter module 10-100% Last 3 digits are for range: 010=10%, 015=15%, 020=20%, 025=25%, 050=50%, 100-100%
500-002042-000	Connector board for CO2 sensors
500-001794-004	Connector board H2S sensors
955-442260-241	Single stage pressure regulator
823-652236-000	Genie probe with housing
823-657236-000	Genie probe regulator

Section 7.5 Span Gas Cylinders and Accessories

Part Number	Model Number - Description
942-001123-000	Zero Air, 103 liters
942-400122-02K	Carbon Dioxide, 2000 PPM In Air, 103 liters
942-400123-2X5	Carbon Dioxide, 2.5% in Air, 103 liters
942-400123-005	Carbon Dioxide, 5% in Air, 103 liters
942-400123-010	Carbon Dioxide, 10% in Air, 103 liters
942-010212-005	Hydrogen Sulfide, 5 PPM In N2, 58 liters
942-010212-010	Hydrogen Sulfide, 10 PPM In N2, 58 liters
942-010212-025	Hydrogen Sulfide, 25 PPM In N2, 58 liters
942-010212-050	Hydrogen Sulfide, 50 PPM In N2, 58 liters
942-640023-100	Nitrogen, 99.99%, 103 liters
943-100050-000	Calibration Kit for single channel only (includes mounting bracket, 0.5 lpm regulator, 1/8" plumbing inter-connect)
955-442260-241	Single stage pressure regulator

Note: For gases or gas blends other than those listed, contact the Detcon sales department.

Section 7.6 Model P-1000-H2S Portable H2S Analyzer

Part Number	Model Number - Description
952-720100-200	Detcon Model P-1000-H2S Portable Hydrogen Sulfide Analyzer complete with data logger, logger software, built-in rechargeable batteries, and external battery charger (Requires an H2S Intelligent Sensor Module "ISM" and an H2S plug-in sensor)

7.6.1 Hydrogen Sulfide Intelligent Sensor Modules

Part Number	Model Number - Description
392-32240S-020	H2S Intelligent Sensor Module 0-20 PPM without sensor
392-32240S-100	H2S Intelligent Sensor Module 0-100 PPM without sensor
392-32240S-01K	H2S Intelligent Sensor Module 0-1000 PPM without sensor

7.6.2 Replacement Parts

Part Number	Model Number - Description
370-323200-000	Hydrogen Sulfide plug-in sensor
992-9900P1-000	Universal Transmitter Module
992-012006-000	Data Logger Module
992-012006-010	Data Logger Software
995-741470-420	Data logger cable
327-000000-000	Magnetic programming tool
308-884138-200	3-way Valve
823-600000-000	Coalescent filter assembly



823-60RF00-000	Coalescent filter tube
600-002800-A00	Sensor flow through sample chamber
308-091000-030	Pressure gauge, 0-30 PSI W/1/4 NPT male
348-900000-000	1 LPM rotameter w/valve
322-000000-000	Power switch
344-400000-000	Sealed battery
975-P10110-240	110-240 VAC line power battery charger

7.7 Item Code Configuration Sheet - Analyzers

Process Analyzers 95 - -

Calibration _____

- 2 - Manual
- 3 - Future Option

Enclosure _____

- 0 - None - 0 5 - Nema 4X SS
- 1 - NEMA 1 6 - Nema 4x SS Special Shell Version
- 4 - NEMA 4 7 - Portable - Unitox Compatible
- 8 - Portable - 700 Compatible with Regulator (up to 250psi)

Voltage Input _____

- 5 - 10-36VDC/110VAC/220VAC

Gas Sensor 1/Gas Sensor 2 (Electrochems are non-IS standard) _____

For single channel use first two boxes and enter "0" into second two boxes.
On dual version enter H2S code first.

- 01 - H2S/solid state
- 32 - H2S/Alcohol Free
- 40 - CO2/carbon dioxide IR
- 42 - CO2/ High Range CO2 Cell (10%-100%)

Range Sensor 1/Range Sensor 2 _____

6 - 10 ppm	H - 1,500 ppm	M - 10% (by volume)
2 - 20 ppm	A - 2,000 ppm	4 - 15% (by volume)
N - 25ppm	B - 3,000 ppm	G - 20% (by volume)
T - 30 ppm	R - 3,500 ppm	V - 25% (by volume)
7 - 50 ppm	K - 5,000 ppm	D - 30% (by volume)
8 - 100 ppm	C - 10,000 ppm	E - 50% (by volume)
L - 150 ppm	1 - 1% (by volume)*	J - 100% (by volume)
U - 250 ppm	Q - 2% (by volume)	F - 100% LEL
P - 500 ppm	3 - 3% (by volume)	
9 - 1,000 ppm	5 - 5% (by volume)	

*Max range for H2S

Options _____

- 0 - none
- 1 - sample flow fault
- 2 - air flow fault
- 3 - sample and air flow fault
- 5 - stainless steel stand for Nema 4X SS Enclosure (700-004000-100)
- 6 - SS 432F2 Swagelock 5-way Switching Valve (311-884355-200)
- H - High Pressure Flo-Thru (Series 500)

ACCESSORIES

943-100050-000 - Calibration Kit for single channel only (includes mounting bracket, 0.5 lpm regulator, 1/8 plumbing inter-connect)

Section 8.0 Audio Visual Alarm Stations

Section 8.1 Non-Hazardous Duty, NEMA 4X Weatherproof, Light Industrial Environments

Part Number	Model Number - Description
978-13x000-0xx	Model AV1-N4X, Single Siren, Single Strobe
978-23xx00-0xx	Model AV2-N4X, Single Siren, Dual Strobe

Complete the part number using the information below:

Position 6 (xxx-xx_ _xx-xxx) Color of 1st Strobe: 2-Red, 4-Amber, 5-Green, 6-Blue, 9-Clear

Position 7 (xxx-xxx_ _x-xxx) Color of 2nd Strobe: 2-Red, 4-Amber, 5-Green, 6-Blue, 9-Clear

Position 11 (xxx-xxxxxx-x_ _) Voltage Type: 7-VAC, 8-VDC

Position 12 (xxx-xxxxxx-xx_ _) Voltage: 1-12VDC, 2-24VDC, 3-120VAC, 4-240VAC

8.1.1 Replacement Strobes

Part Number	Model Number - Description
354-4950x6-xxx	Strobe

Complete the part number using the information below:

Position 8 (xxx-xxxx_ _x-xxx) Color of Strobe: 2-Red, 4-Amber, 5-Green, 6-Blue, 9-Clear

Position 10, 11, 12 (xxx-xxxxxx-__ _) Voltage: 12-12 or 24VDC, 120-120VAC, 240-240VAC

8.1.2 Replacement Horns

Part Number	Model Number - Description
356-xxx003-xxx	Horn

Complete the part number using the information below:

Position 4, 5, 6 (xxx-__ _xxx-xxx) Type of Voltage: 350-VAC, 450-VDC

Position 10, 11, 12 (xxx-xxxxxx-__ _) Voltage: 012-12VDC, 024-24VDC, 120-120VAC, 240-240VAC

8.2 Hazardous Duty, Class I, Division 2, Heavy Industrial Environments, Continuous Tone Siren

Part Number	Model Number - Description
977-1Lx000-0Fx	Model AV1-C1D2C, Single Siren, Single Strobe
977-2Lxx00-0Fx	Model AV2-C1D2C, Single Siren, Dual Strobe

Complete the part number using the information below:

Position 6 (xxx-xx_ xx-xxx) Color of 1st Strobe: 2-Red, 4-Amber, 5-Green, 6-Blue, 7-Magenta, 9-Clear

Position 7 (xxx-xxx_ xx-xxx) Color of 2nd Strobe: 2-Red, 4-Amber, 5-Green, 6-Blue, 7-Magenta, 9-Clear

Position 12 (xxx-xxxxxx-xx_) Voltage: 3-120VAC, 4-240VAC

8.2.1 Replacement Strobes

Part Number	Model Number - Description
354-1516x6-xxx	Strobe

Complete the part number using the information below:

Position 8 (xxx-xxxx_ x-xxx) Color of Strobe: 2-Red, 4-Amber, 5-Green, 6-Blue, 7-Magenta, 9-Clear

Position 10, 11, 12 (xxx-xxxxxx-__ _) Voltage: 120-120VAC, 240-240VAC

8.2.2 Replacement Horns

Part Number	Model Number - Description
356-35W006-xxx	Horn

Complete the part number using the information below:

Position 10, 11, 12 (xxx-xxxxxx-__ _) Voltage: 120-120VAC, 240-240VAC

Section 8.3 Hazardous Duty, Class I, Division 2, Heavy Industrial Environments, Multitone Sirens

Part Number	Model Number - Description
977-1Lx000-03x	Model AV1-C1D2M, Single Siren, Single Strobe
977-2Lxx00-03x	Model AV2-C1D2M, Single Siren, Dual Strobe

Complete the part number using the information below:

Position 6 (xxx-xx_xxx-xxx) Color of 1st Strobe: 2-Red, 4-Amber, 5-Green, 6-Blue, 7-Magenta, 9-Clear

Position 7 (xxx-xxx_xx-xxx) Color of 2nd Strobe: 2-Red, 4-Amber, 5-Green, 6-Blue, 7-Magenta, 9-Clear

Position 12 (xxx-xxxxxx-xx_) Voltage: 2-24VDC, 3-120VAC, 4-240VAC

8.3.1 Replacement Strobes

Part Number	Model Number - Description
354-1516x6-xxx	Strobe

Complete the part number using the information below:

Position 8 (xxx-xxxx_x-xxx) Color of Strobe: 2-Red, 4-Amber, 5-Green, 6-Blue, 7-Magenta, 9-Clear

Position 10, 11, 12 (xxx-xxxxxx-___) Voltage: 124-24VDC, 120-120VAC, 240-240VAC

8.3.2 Replacement Horns

Part Number	Model Number - Description
356-889321-MV0	Horn (Multivolt 24VDC, 120VAC, 240VAC)

Section 8.4 Hazardous Duty, Class I, Division 1, Heavy Industrial Environments, Multitone Siren, Compliance with ABS Standards

Part Number	Model Number - Description
977-16x000-03x	Model AV1-C1D1M, Single Siren, Single Strobe
977-26xx00-03x	Model AV2-C1D1M, Single Siren, Dual Strobe

Complete the part number using the information below:

Position 6 (xxx-xx_xxx-xxx) Color of 1st Strobe: 2-Red, 4-Amber, 5-Green, 6-Blue, 7-Magenta, 9-Clear

Position 7 (xxx-xxx_xx-xxx) Color of 2nd Strobe: 2-Red, 4-Amber, 5-Green, 6-Blue, 7-Magenta, 9-Clear

Position 12 (xxx-xxxxxx-xx_) Voltage: 2-24VDC, 3-120VAC, 4-240VAC

8.4.1 Replacement Strobes

Part Number	Model Number - Description
354-3206x4-xxx	Strobe w/flange mount

Complete the part number using the information below:

Position 8 (xxx-xxxx_x-xxx) Color of Strobe: 2-Red, 4-Amber, 5-Green, 6-Blue, 7-Magenta, 9-Clear

Position 10, 11, 12 (xxx-xxxxxx-___) Voltage: 124-24VDC, 120-120VAC, 240-240VAC

8.4.2 Replacement Horns

Part Number	Model Number - Description
356-889321-MV0	Horn (Multivolt 24VDC, 120VAC, 240VAC)

Section 9.0 SmartWireless™ Technology

Section 9.1 SmartWireless™ RXT-300 Wireless Transceivers

Part Number	Model Number - Description
976-000300-000	Model RXT-300 Wireless Transceiver
976-000301-000	Model RXT-300 w/Aluminum J-Box & Terminal Board
976-000302-000	Model RXT-300 w/Stainless Steel J-Box & Terminal Board
976-000320-000	Model RXT-320 Wireless Transceiver
976-000321-000	Model RXT-320 w/Aluminum J-Box & Terminal Board
976-000322-000	Model RXT-320 w/Stainless Steel J-Box & Terminal Board
976-000300-316-050	Model RXT-300 w/Extended lid aluminum junction box and smart battery pack
976-000300-316-050	Model RXT-320 w/Extended lid aluminum junction box and smart battery pack
976-823290-000	SmartWireless™ Network Configuration Tool

Section 9.2 SmartWireless™ Gas Detection Sensor Assemblies

9.2.1 SmartWireless™ Electrochemical Toxic Gas Detection Sensor Assemblies

Part Number	Model Number - Description
961-EA002_-100-___	Model SW-DM-100-C2H3O, 0-100 PPM Acetyldehyde Sensor Assembly
961-EG002_-100-___	Model SW-DM-100-C2H2, 0-100 PPM Acetylene Sensor Assembly
961-EM002_-100-___	Model SW-DM-100-C3H3N, 0-100 PPM Acrylonitrile Sensor Assembly
961-50002_-100-___	Model SW-DM-100-NH3, 0-100 PPM Ammonia Sensor Assembly
961-19002_-001-___	Model SW-DM-100-AsH3, 0-1 PPM Arsine Sensor Assembly
961-75002_-005-___	Model SW-DM-100-Br2, 0-5 PPM Bromine Sensor Assembly
961-EB002_-100-___	Model SW-DM-100-C4H6, 0-100 PPM Butadiene Sensor Assembly
961-44002_-100-___	Model SW-DM-100-CO, 0-100 PPM Carbon Monoxide Sensor Assembly
961-74002_-010-___	Model SW-DM-100-CL2, 0-10 PPM Chlorine Sensor Assembly
961-77002_-001-___	Model SW-DM-101-CLO2, 0-1 PPM Chlorine Dioxide Sensor Assembly
961-76002_-050-___	Model SW-DM-100-CLO2, 0-50 PPM Chlorine Dioxide Sensor Assembly
961-21002_-005-___	Model SW-DM-100-B2H6, 0-5 PPM Diborane Sensor Assembly
961-EO002_-100-___	Model SW-DM-100-C2H5OH, 0-100 PPM Ethanol Sensor Assembly
961-EZ002_-100-___	Model SW-DM-100-C2H5SH, 0-100 PPM Ethyl Mercaptans Sensor Assy
961-ED002_-100-___	Model SW-DM-100-C2H4, 0-100 PPM Ethylene Sensor Assembly
961-EJ002_-100-___	Model SW-DM-100-C2H4O, 0-100 PPM Ethylene Oxide Sensor Assembly
961-27002_-001-___	Model SW-DM-100-F2, 0-1 PPM Fluorine Sensor Assembly
961-EP002_-100-___	Model SW-DM-100-CH2O, 0-100 PPM Formaldehyde Sensor Assembly
961-25002_-002-___	Model SW-DM-100-GeH4, 0-2 PPM Germane Sensor Assembly
961-26002_-001-___	Model SW-DM-100-N2H4, 0-1 PPM Hydrazine Sensor Assembly
961-84002_-100-___	Model SW-DM-100-H2, 0-100 PPM Hydrogen Sensor Assembly
961-05002_-04P-___	Model SW-DM-101-H2, 0-100 % LEL Hydrogen Sensor Assembly
961-07002_-01P-___	Model SW-DM-102-H2, 0-1 % Hydrogen Sensor Assembly
961-08002_-030-___	Model SW-DM-100-Hbr, 0-30 PPM Hydrogen Bromide Sensor Assembly
961-09002_-030-___	Model SW-DM-100-HCL, 0-30 PPM Hydrogen Chloride Sensor Assembly
961-13002_-030-___	Model SW-DM-100-HCN, 0-30 PPM Hydrogen Cyanide Sensor Assembly
961-33002_-010-___	Model SW-DM-100-HF, 0-10 PPM Hydrogen Fluoride Sensor Assembly
961-24002_-100-___	Model SW-DM-100-H2S, 0-100 PPM Hydrogen Sulfide Sensor Assembly
961-EE002_-100-___	Model SW-DM-100-CH3OH, 0-100 PPM Methanol Sensor Assembly



Detcon Product Guide

961-EK002_-100- ___	Model SW-DM-100-CH3SH, 0-100 PPM Methyl Mercaptan Sensor Assy	
961-94002_-100- ___	Model SW-DM-100-NO, 0-100 PPM Nitric Oxide Sensor Assembly	
961-64002_-010- ___	Model SW-DM-100-NO2, 0-10 PPM Nitrogen Dioxide Sensor Assembly	
961-34002_-025- ___	Model SW-DM-100-O2, 0-25 % Oxygen Deficiency Sensor Assembly	
961-39002_-001- ___	Model SW-DM-100-O3, 0-1 PPM Ozone Sensor Assembly	
961-41002_-001- ___	Model SW-DM-100-COCL2, 0-1 PPM Phosgene Sensor Assembly	
961-20002_-005- ___	Model SW-DM-100-PH3, 0-5 PPM Phosphine Sensor Assembly	
961-23002_-050- ___	Model SW-DM-100-SiH4, 0-50 PPM Silane Sensor Assembly	
961-55002_-020- ___	Model SW-DM-100-SO2, 0-20 PPM Sulfur Dioxide Sensor Assembly	
961-EF002_-100- ___	Model SW-DM-100-C4H6O2, 0-100 PPM Vinyl Acetate Sensor Assembly	
961-EL002_-100- ___	Model SW-DM-100-C2H3CL, 0-100 PPM Vinyl Chloride Sensor Assembly	
See legend below to complete the part number		
Position "9" select juncton box & display:		
1	Aluminum enclosure (no display)	
2	Aluminum enclosure with display	
3	Stainless steel enclosure (no display)	
4	Stainless steel enclosure with display	
Position "13" select SmartWireless™ Transceiver:		
2	RXT-300 SmartWireless™ Transceiver (stainless steel)	
4	RXT-320 SmartWireless™ Transceiver (stainless steel)	
Position "14" Power Selection:		
5	Smart battery pack with extended lid aluminum enclosure	
7	117/220 VAC line power to DC Power Supply in division 1 aluminum enclosure	
8	External 12-24 VDC supplied by customer	
9	117/220 VAC line power to DC Power Supply in division 1 aluminum enclosure with stand-by battery	
Position "15" select solar panel:		
0	None	
1	NEMA 7 direct mount 2.5 watt	
3	NEMA 7 remote mount 2.5 watt	

Section 9.3 SmartWireless™ HMI Panel

Part Number	Model Number - Description
957-827280-032- _ _ _	Model SW-HMI-32, 32 Channel SmartWireless™ HMI panel in cast aluminum enclosure: Class 1; Division 1; Groups C, D
See legend below to complete the part number	
Position "13" select SmartWireless™ Transceiver:	
2	RXT-300 SmartWireless™ Transceiver (stainless steel)
4	RXT-320 SmartWireless™ Transceiver (stainless steel)
Position "14" Power Selection:	
5	Smart battery pack with extended lid aluminum enclosure
6	Smart battery pack with extended lid aluminum enclosure and alarm reset switch
7	117/220 VAC line power to DC Power Supply in division 1 aluminum enclosure
8	External 12-24 VDC supplied by customer
9	117/220 VAC line power to DC Power Supply in division 1 aluminum enclosure with stand-by battery
Position "15" select solar panel:	
0	None
1	NEMA 7 direct mount 2.5 watt
3	NEMA 7 remote mount 2.5 watt

Section 9.4 SmartWireless™ Audio Visual Alarm Stations	
Part Number	Model Number - Description
977-1U__00W-022-__ _	Model SW-AV1-DV2 SmartWireless™ Alarm Station complete with 1 audible alarm (tone selectable) and one alarm strobe (specify color) Div 2
977-2U__00W-022-__ _	Model SW-V2-DV2 SmartWireless™ Alarm Station - Non-hazardous complete with two alarm strobes (specify colors) Div 2
977-00000W-022-__ _	Model SW-A2-DV2 SmartWireless™ Alarm Station - complete with 1 audible alarm dual tone output (tone selectable) Div 2
977-1T__00W-012-__ _	Model SW-AV1-DV1 SmartWireless™ Alarm Station complete with 1 audible alarm (tone selectable) and one alarm strobe (specify color) Div 1
977-2T__00W-012-__ _	Model SW-V2-DV1 SmartWireless™ Alarm Station - Non-hazardous complete with two alarm strobes (specify colors) Div 1
977-00000W-012-__ _	Model SW-A2-DV1 SmartWireless™ Alarm Station - complete with 1 audible alarm dual tone output (tone selectable) Div 1
See legend below to complete the part number	
Position "6" (strobe 1) and "7" (strobe 2 - if applicable) select color:	
2	Red
4	Amber
5	Green
6	Blue
7	Magenta
9	Clear
Position "13" select SmartWireless™ Transceiver:	
2	RXT-300 SmartWireless™ Transceiver (stainless steel)
4	RXT-320 SmartWireless™ Transceiver (stainless steel)
Position "14" Power Selection:	
5	Smart battery pack with extended lid aluminum enclosure
7	117/220 VAC line power to DC Power Supply in division 1 aluminum enclosure
8	External 12-24 VDC supplied by customer
9	117/220 VAC line power to DC Power Supply in division 1 aluminum enclosure with stand-by battery
Position "15" select solar panel:	
0	None
1	NEMA 7 direct mount 2.5 watt
3	NEMA 7 remote mount 2.5 watt
Custom Alarm Stations	Custom alarm stations can be configured to meet customer requirements. Alarm system components are readily available from Federal Signal, Maxi Signal, and MEDC. Contact the Detcon factory for additional information

Section 9.5 Smart Battery Packs (Lithium Ion)

Part Number	Model Number - Description
976-000316-000	12VDC 10AH Battery Pack with Loop-Powered LED Display in Division 1 aluminum enclosure
976-000306-000	12VDC 10AH Battery Pack in Division 1 aluminum enclosure
976-000317-000	24VDC 5AH Battery Pack with Loop-Powered LED Display in extended lid aluminum enclosure
976-000307-000	24VDC 5AH Battery Pack in Division 1 aluminum enclosure
976-000303-012	Plug-in Battery Pack
976-000304-004	Four Gang Battery Charger

Section 9.6 Model Series SPS-00W-xx Solar Power Supplies

Part Number	Model Number - Description
975-SPS01W-DV1	Model SPS-01W-DV1 2.5 watt solar panel array in Division 1 aluminum enclosure
976-000306-000	Rechargeable lithium ion plug-in battery pack in Division 1 aluminum enclosure, 12 VDC, 10 AH
976-000307-000	Rechargeable lithium ion plug-in battery pack in Division 1 aluminum enclosure, 24 VDC, 5 AH
975-SPS10W-GPU	Model SPS-10W-DV2 10 watt Div 2 solar panel array in aluminum frame with 2" pipe mount bracket
975-SPS20W-GPU	Model SPS-20W-DV2 20 watt Div 2 solar panel array in aluminum frame with 2" pipe mount bracket
975-SPS40W-DV2	Model SPS-40W-DV2 40 watt Div 2 solar panel array in aluminum frame with 2" pipe mount bracket
360-703095-000	Solar System Battery, 12 VDC 36AH Gel Cell
975-703059-000	Solar System Battery Controller
	Solar Power Supply Enclosure 316 Stainless Steel NEMA 4X complete with battery mounting bracket for Division 2 locations. Note: Does not include batteries or battery controller.
	Solar Power Supply Enclosure Molded ABS NEMA 4X complete with battery mounting bracket for non-hazardous locations. Note: Does not include batteries or battery controller.